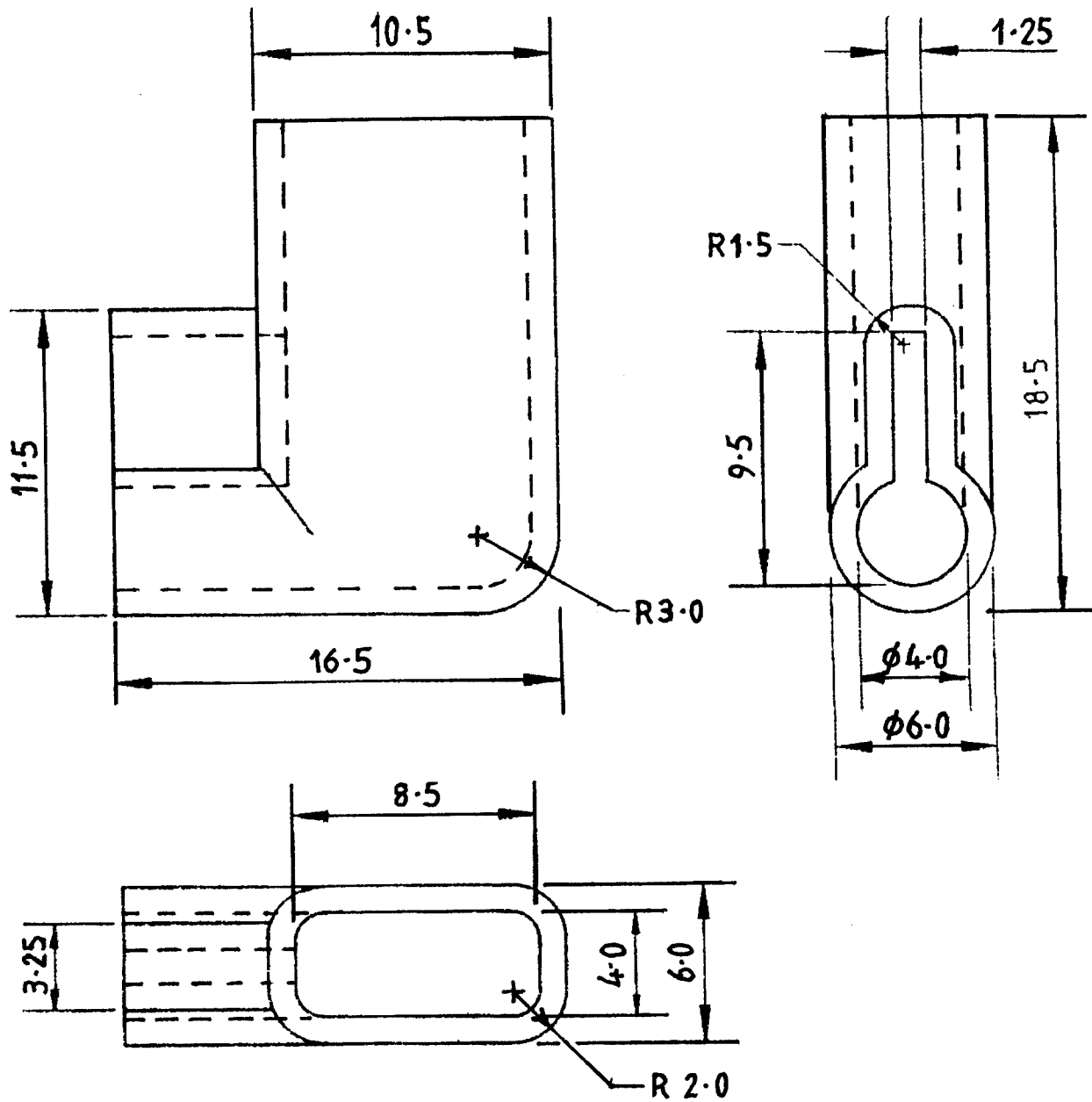


RS 531-475.

RIGHT-ANGLED SLEEVE FOR FLAG RECEPTACLES.



DIMENSIONS IN MILLIMETRES
FIRST ANGLE PROJECTION
TOLERANCE: ± 0.25

MATERIAL: PVC.