

**Application Notes &
Product Data Sheet**

**Lifex Lithium Coin
Cells & FB
Encapsulated Lithium
Coin Cells - Part 3**

IX. Product Specifications - Part 2

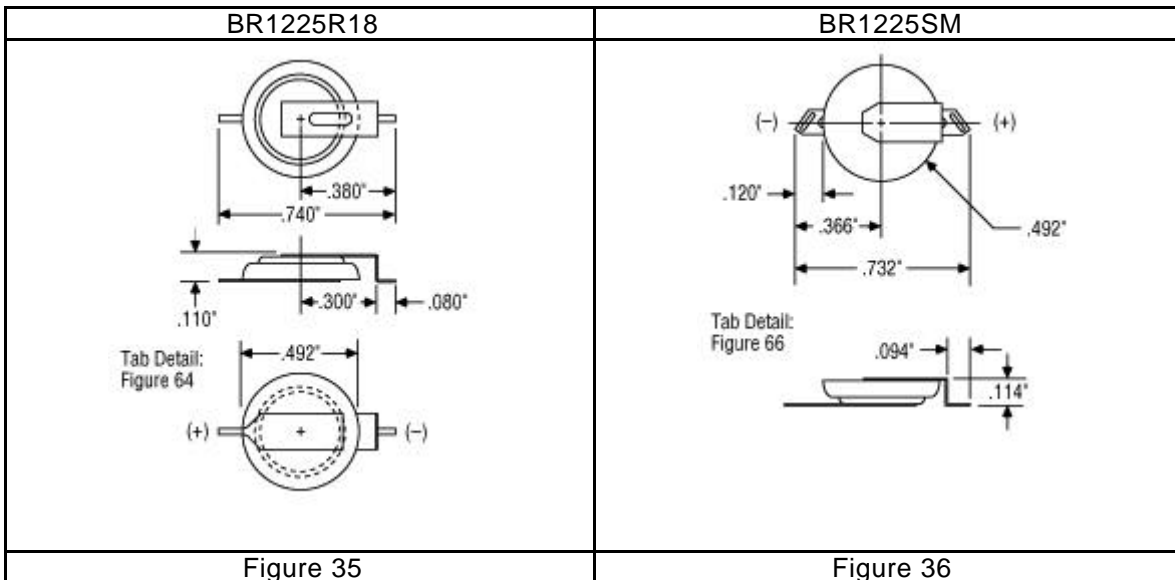
C. Dimensional Drawings

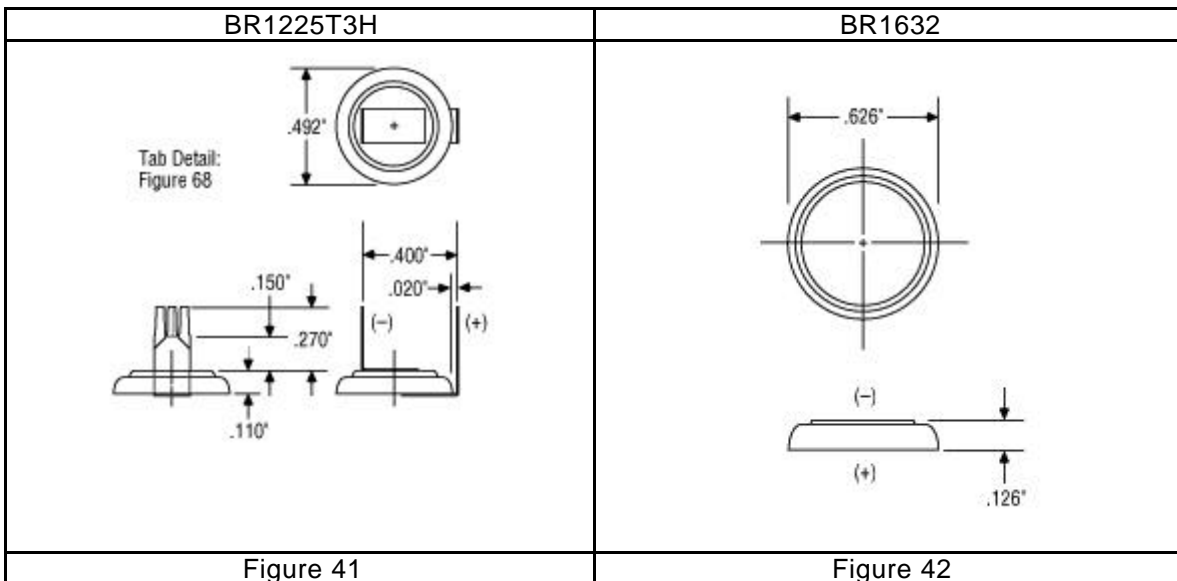
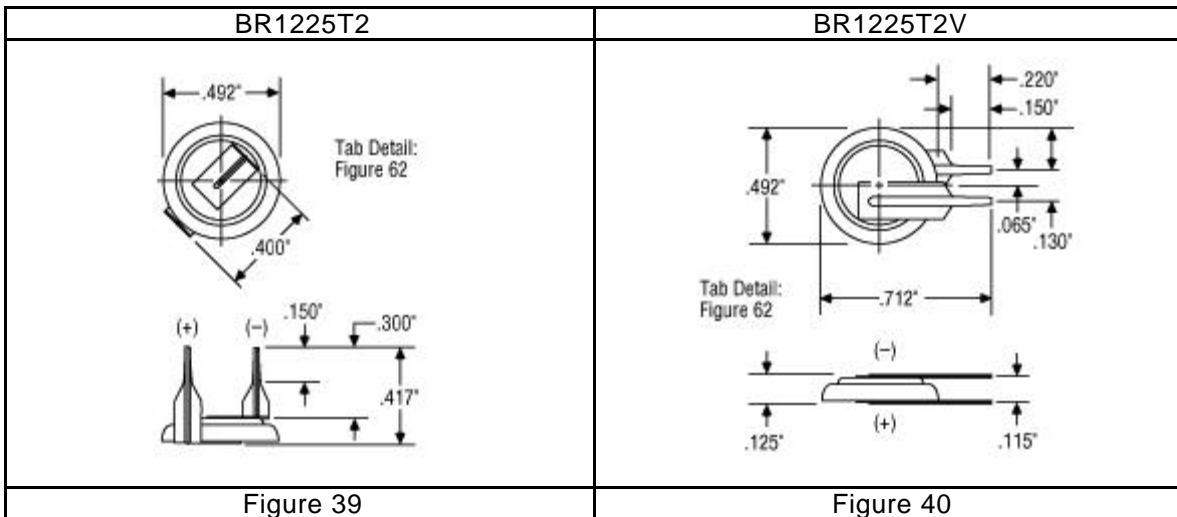
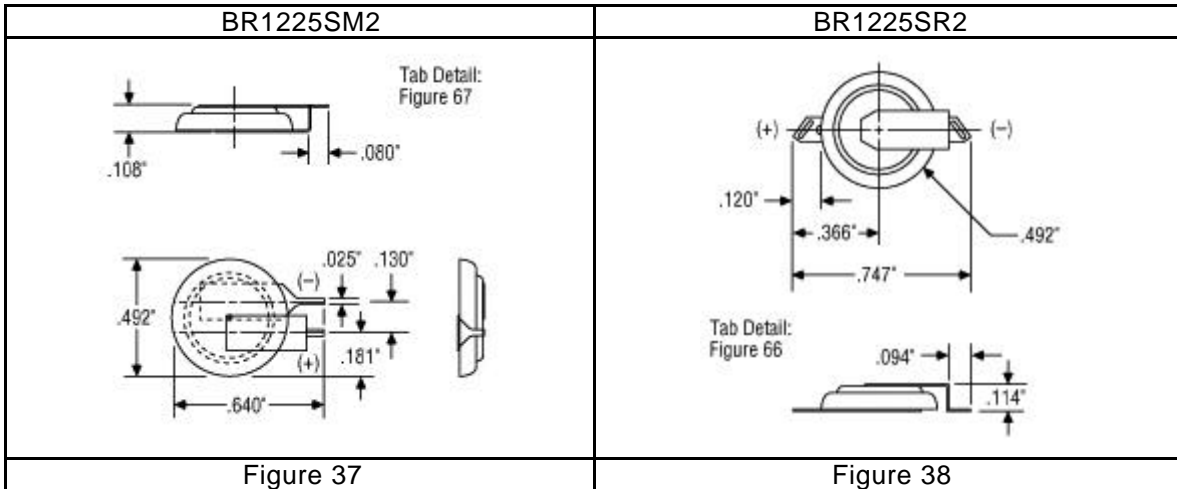
BR1225	BR1225H2R
Figure 31	Figure 32

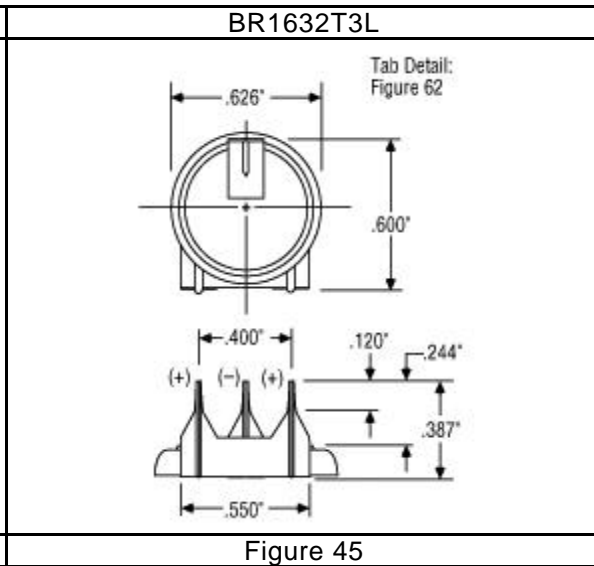
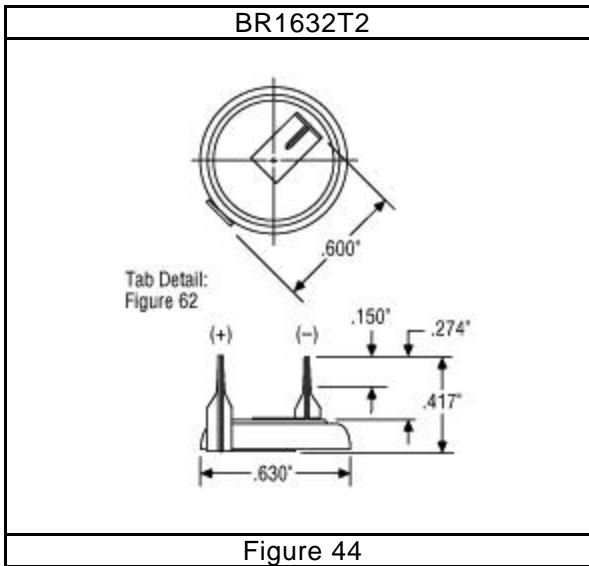
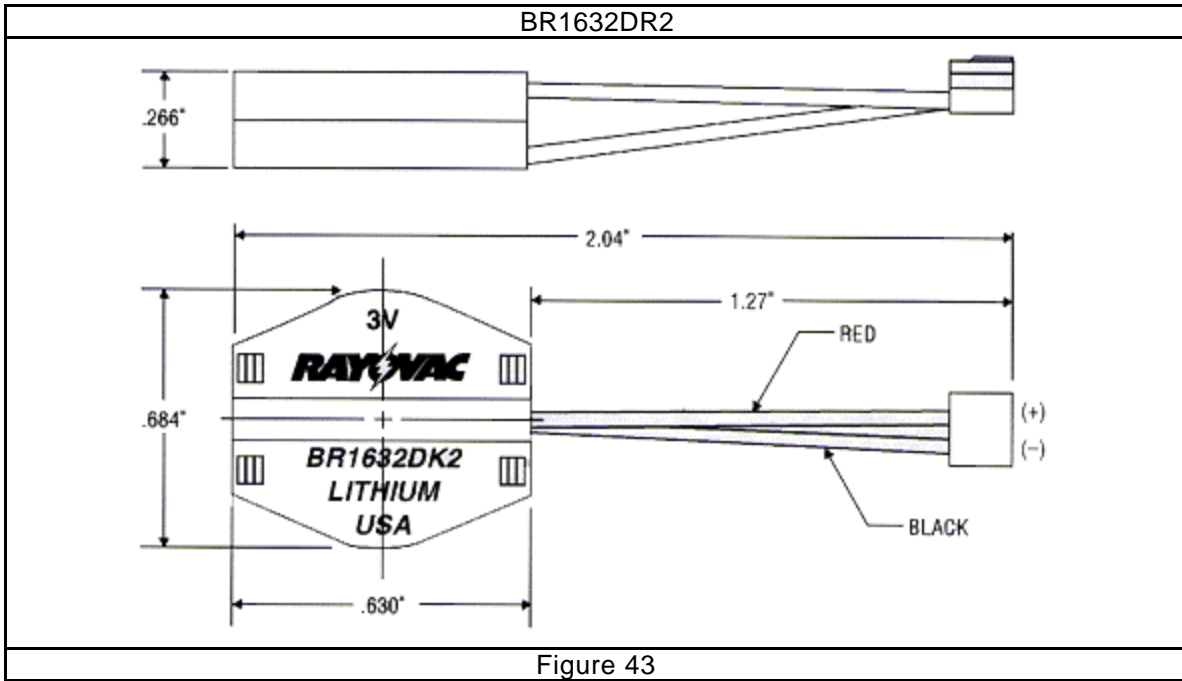
BR1225MT2	BR1225RT2
Figure 33	Figure 34

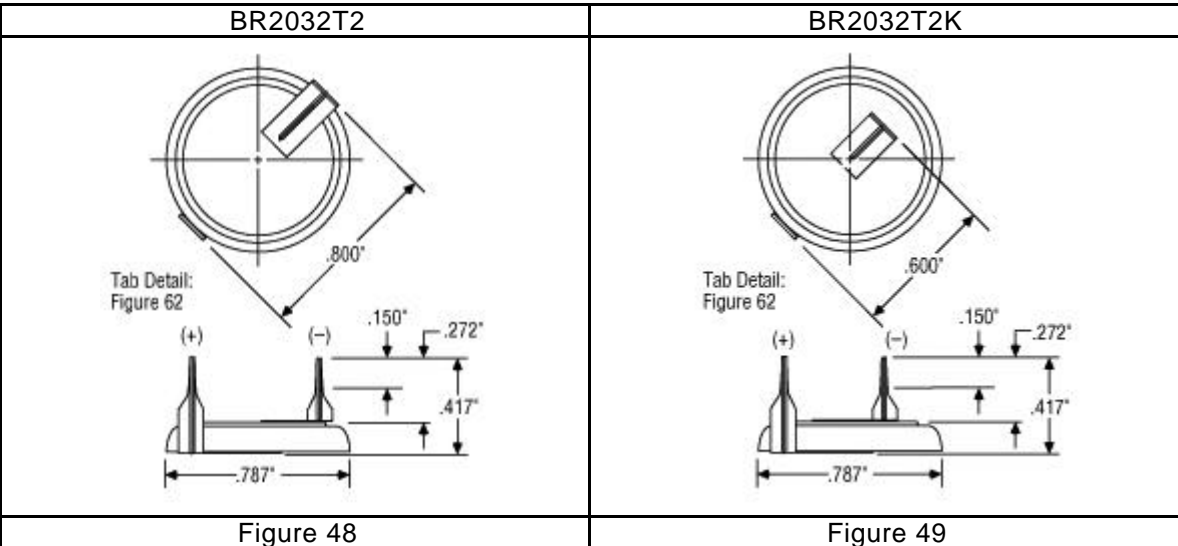
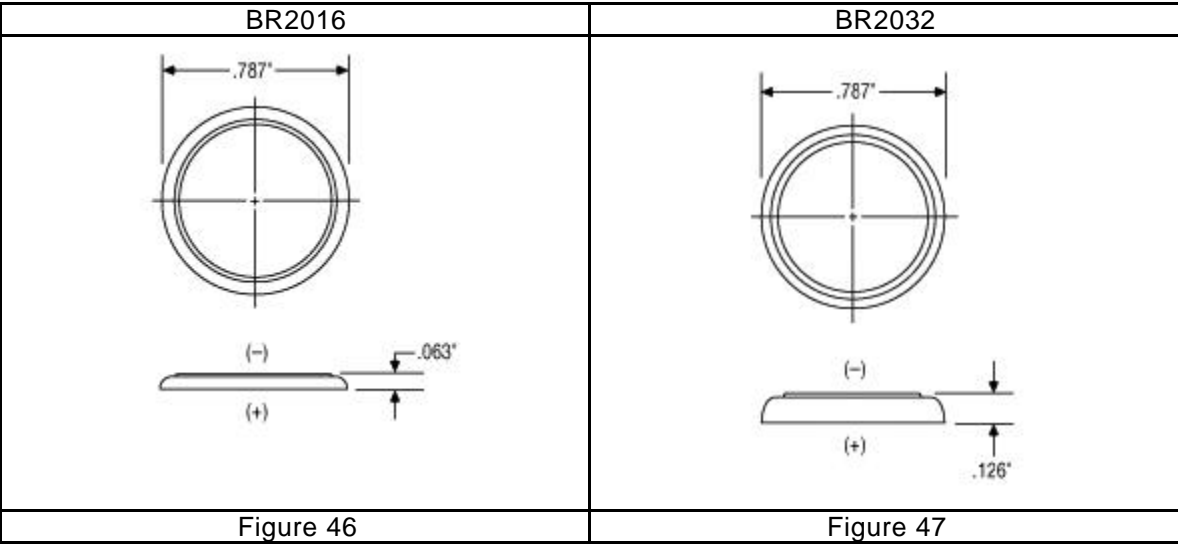
Conversion Chart

INCHES	MILLIMETERS	INCHES	MILLIMETERS
0.025	0.64	0.223	5.66
0.026	0.66	0.225	5.72
0.030	0.76	0.250	6.35
0.050	1.27	0.283	7.19
0.080	2.03	0.300	7.62
0.094	2.39	0.303	7.70
0.098	2.49	0.317	8.05
0.108	2.74	0.336	8.53
0.110	2.79	0.340	8.64
0.114	2.90	0.366	9.30
0.120	3.05	0.380	9.65
0.130	3.30	0.400	10.16
0.143	3.63	0.492	12.50
0.150	3.81	0.640	16.26
0.151	3.84	0.732	18.59
0.181	4.60	0.740	18.80
0.203	5.16	0.747	18.97



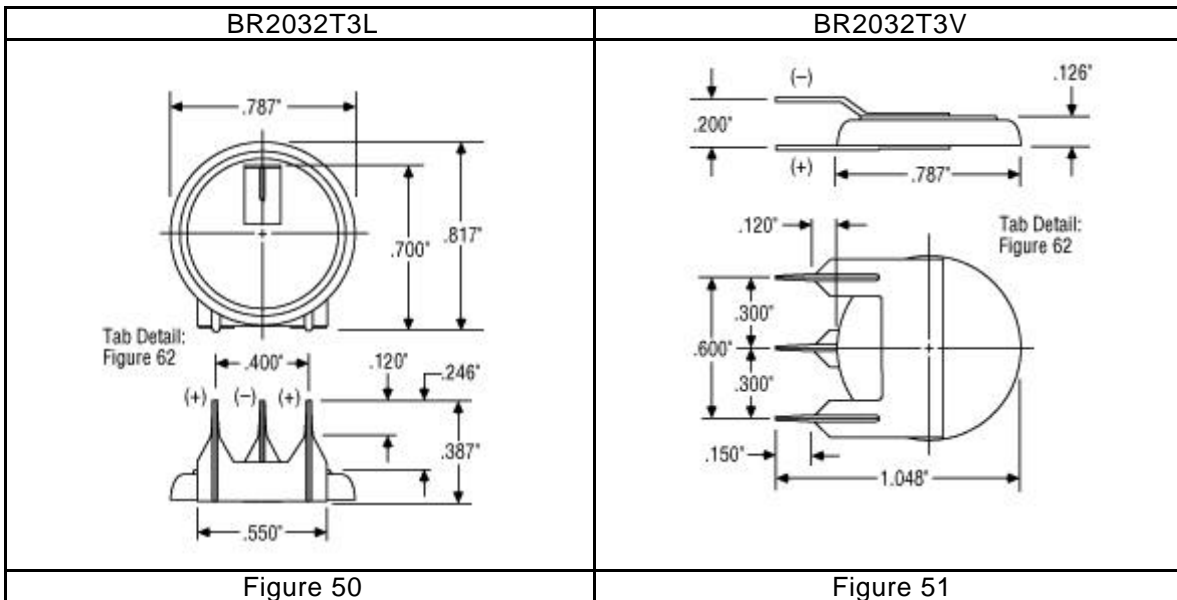


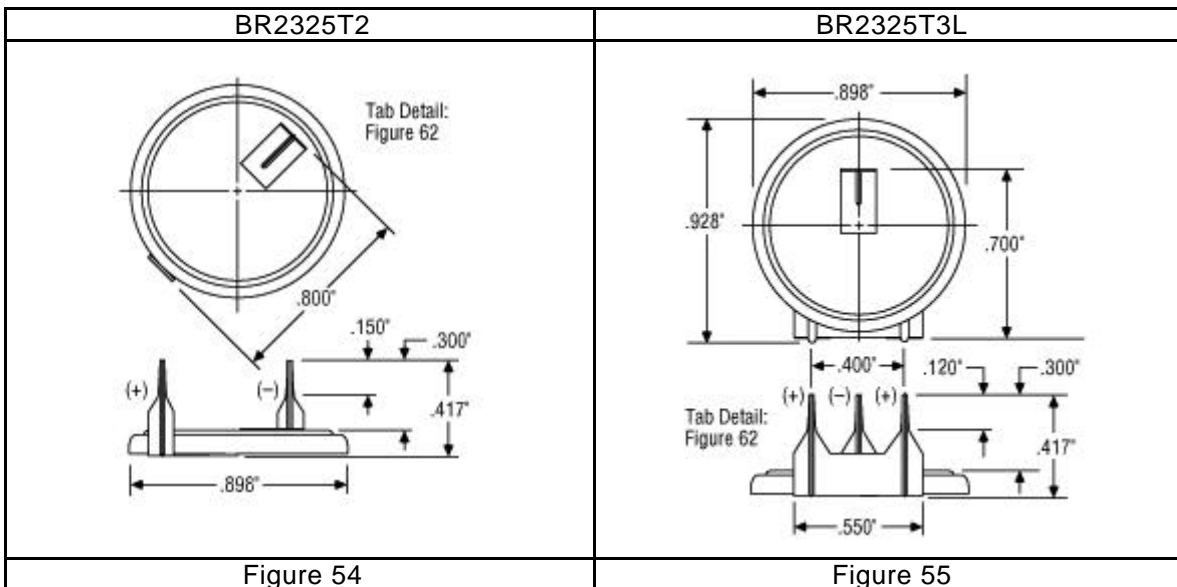
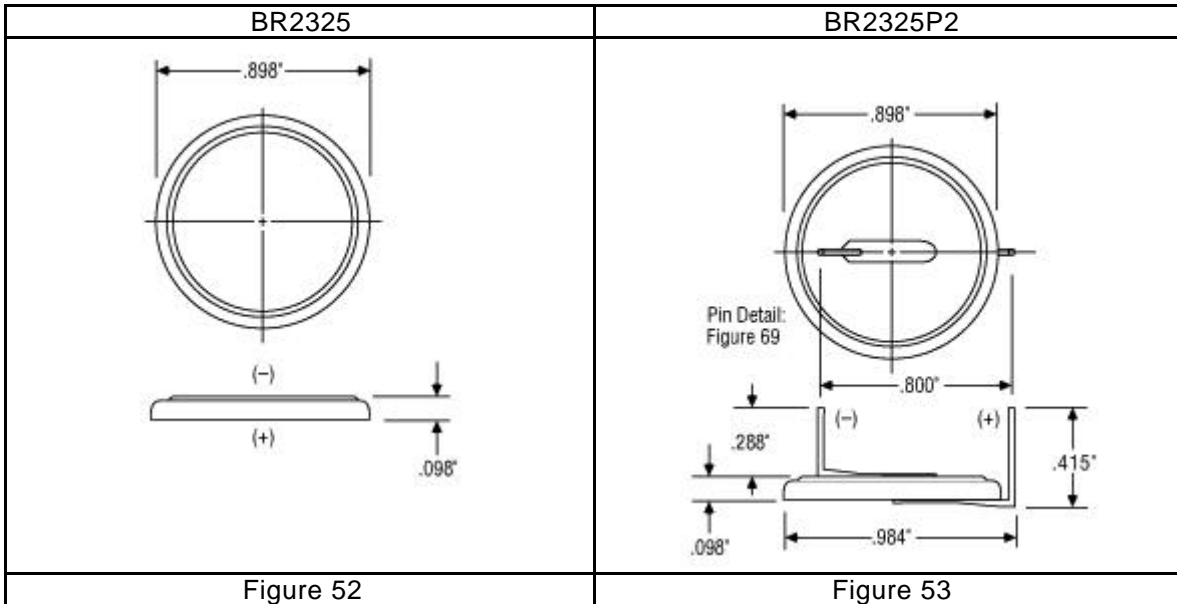


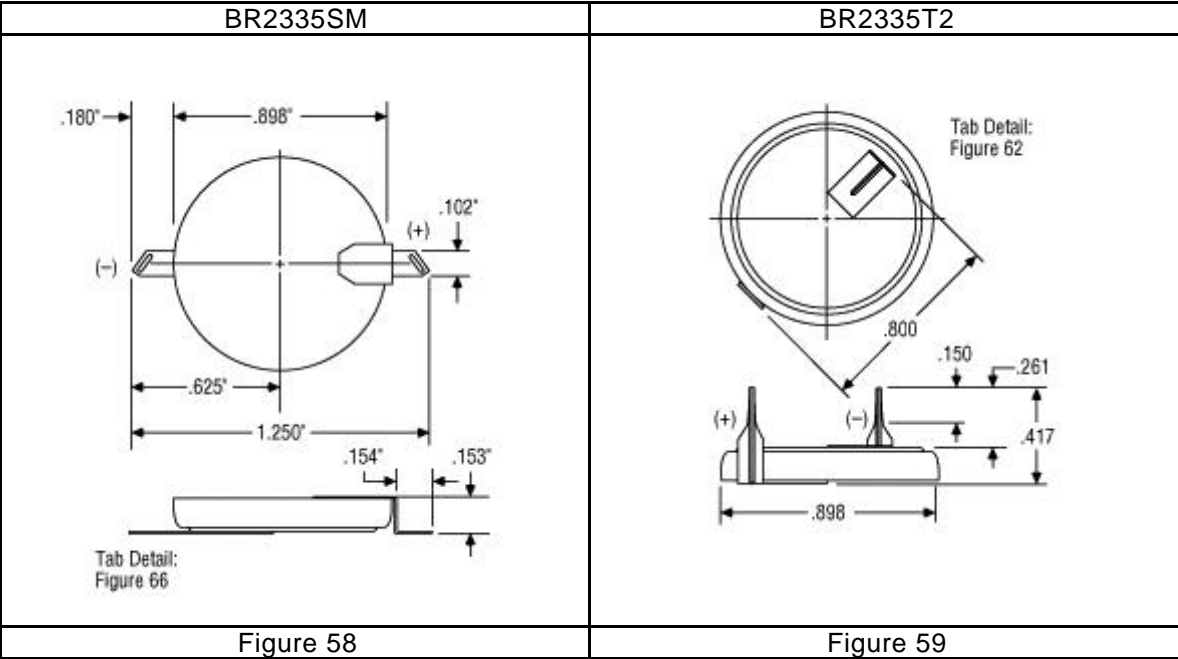
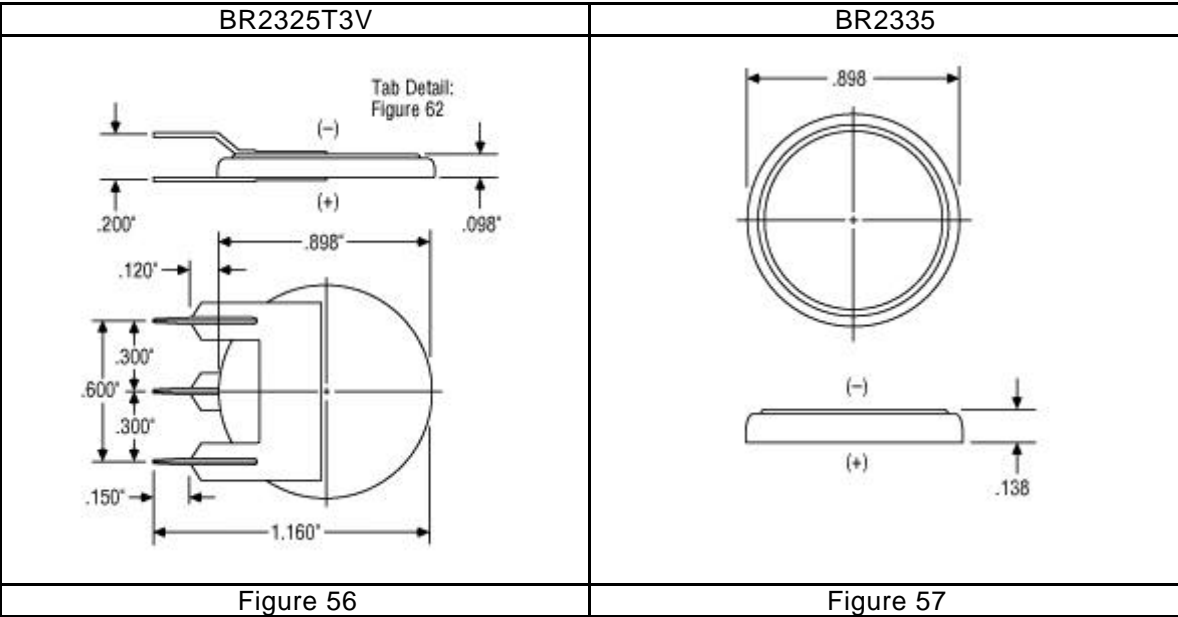


Conversion Chart

INCHES	MILLIMETERS	INCHES	MILLIMETERS
0.020	0.51	0.300	7.62
0.063	1.60	0.387	9.83
0.065	1.65	0.400	10.16
0.098	2.49	0.415	10.54
0.110	2.79	0.417	10.59
0.115	2.92	0.492	12.50
0.120	3.05	0.550	13.97
0.125	3.18	0.600	15.24
0.126	3.20	0.626	15.90
0.130	3.30	0.630	16.00
0.150	3.81	0.684	17.37
0.200	5.08	0.712	18.08
0.220	5.59	0.787	19.99
0.244	6.20	0.800	20.32
0.266	6.76	0.898	22.81
0.270	6.86	0.984	24.99
0.272	6.91	1.048	26.62
0.274	6.96	1.270	32.26
0.288	7.32	2.040	51.82

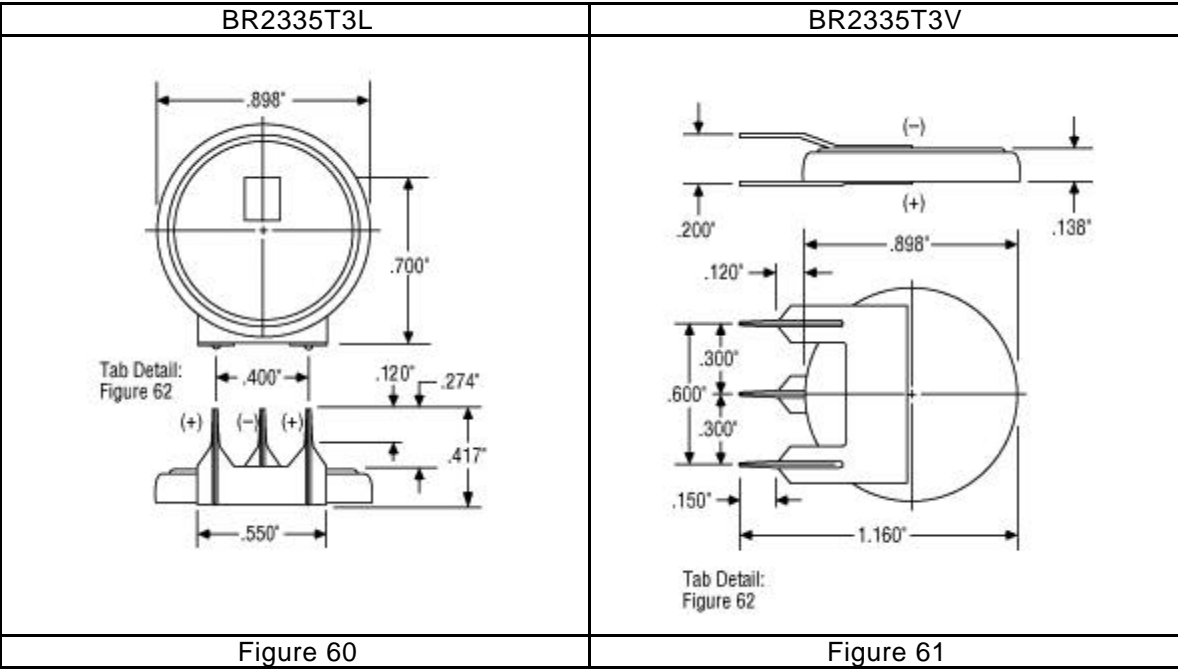




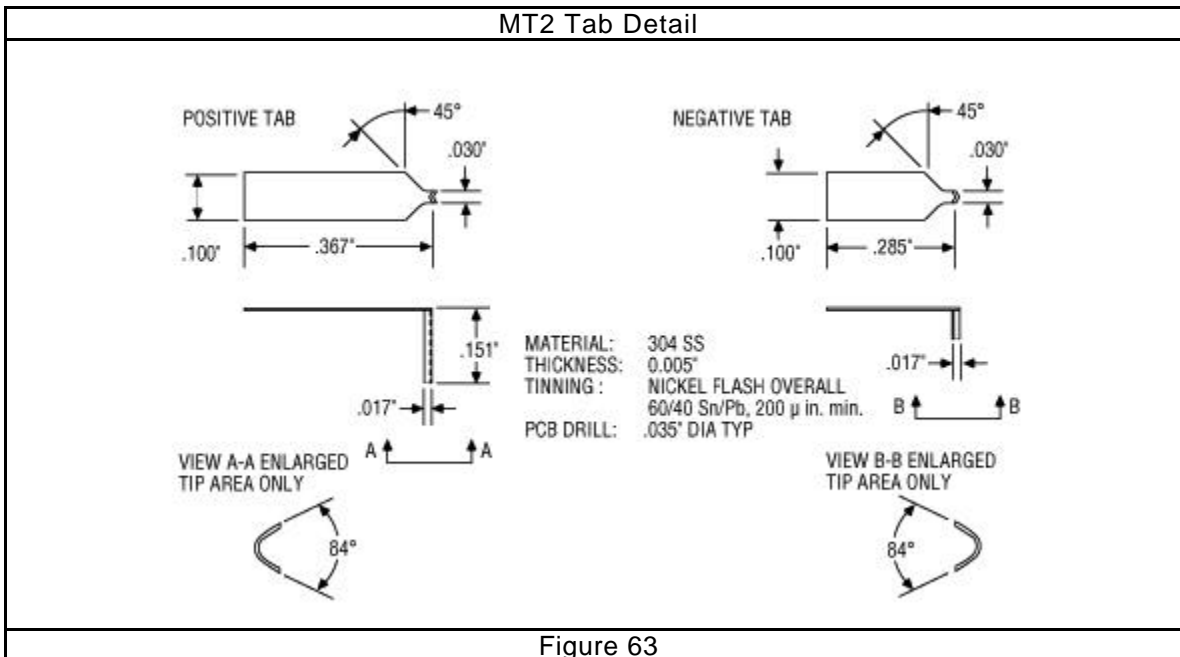
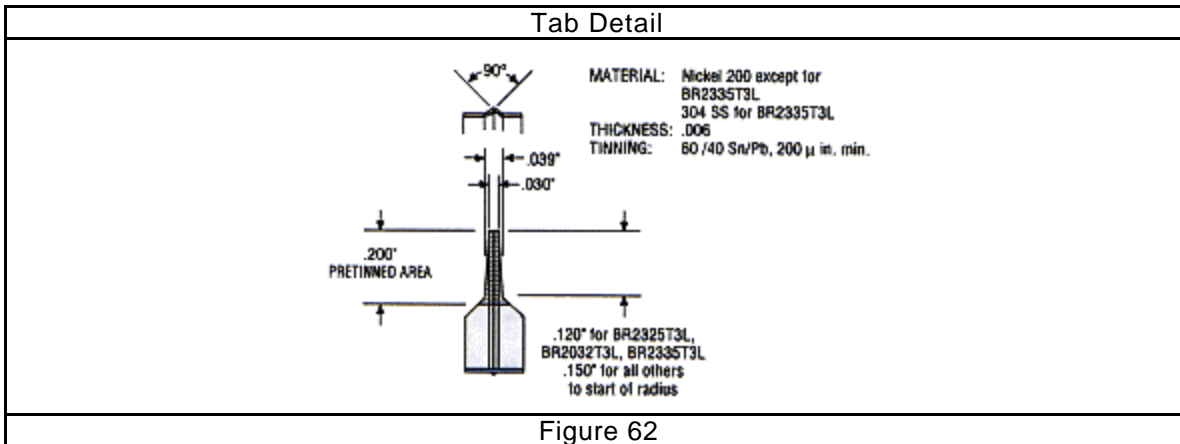


Conversion Chart

INCHES	MILLIMETERS	INCHES	MILLIMETERS
0.003	0.08	0.180	4.57
0.005	0.13	0.200	5.08
0.006	0.15	0.202	5.13
0.013	0.33	0.242	6.15
0.015	0.38	0.255	6.48
0.017	0.43	0.261	6.63
0.019	0.48	0.270	6.86
0.022	0.56	0.274	6.96
0.025	0.64	0.285	7.24
0.026	0.66	0.300	7.62
0.027	0.69	0.303	7.70
0.030	0.76	0.327	8.31
0.035	0.89	0.350	8.89
0.039	0.99	0.367	9.32
0.040	1.02	0.378	9.60
0.047	1.19	0.389	9.88
0.050	1.27	0.400	10.16
0.075	1.91	0.408	10.36
0.098	2.49	0.417	10.59
0.100	2.54	0.540	13.72
0.102	2.59	0.550	13.97
0.108	2.74	0.600	15.24
0.110	2.79	0.625	15.88
0.115	2.92	0.700	17.78
0.120	3.05	0.800	20.32
0.138	3.51	0.898	22.81
0.150	3.81	0.928	23.57
0.151	3.84	1.160	29.46
0.153	3.89	1.250	31.75
0.154	3.91		



Tab and Pin Detail



R18 Tab Detail

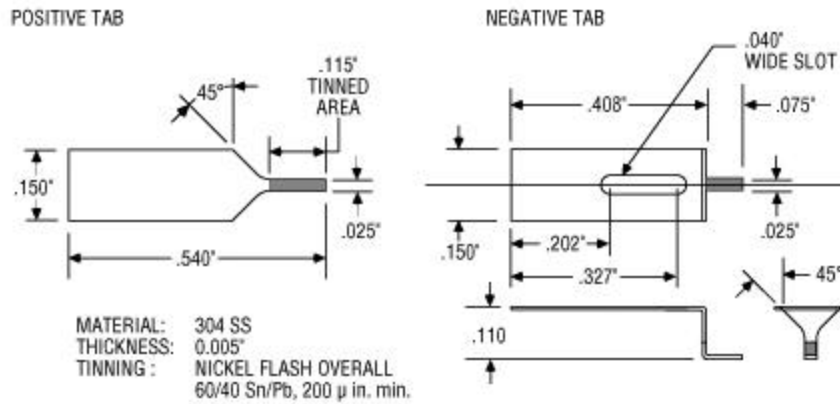


Figure 64

RT2 Tab Detail

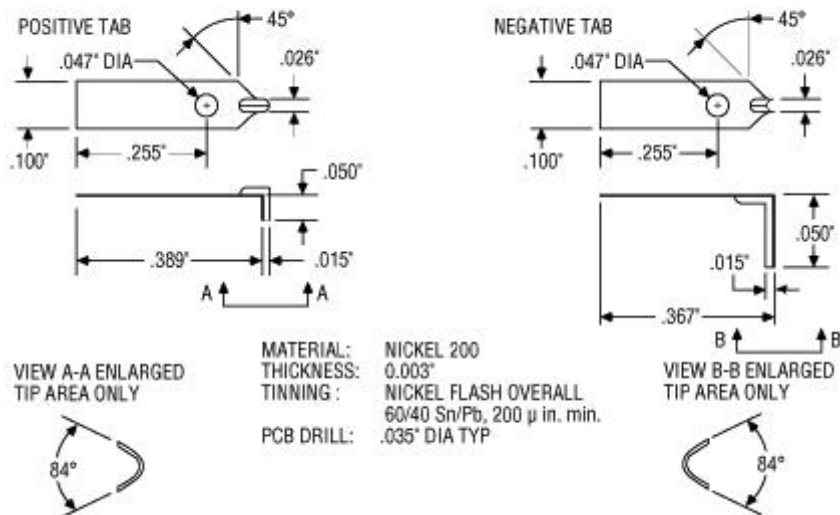


Figure 65

SM and SR Tab Detail

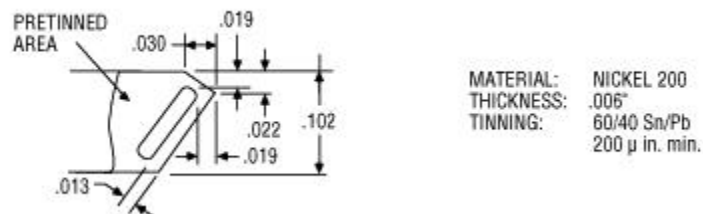


Figure 66

SM2 Tab Detail

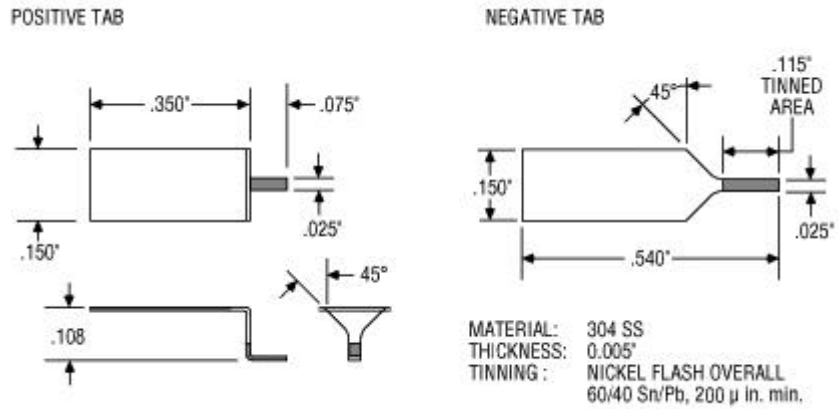


Figure 67

T3H Tab Detail

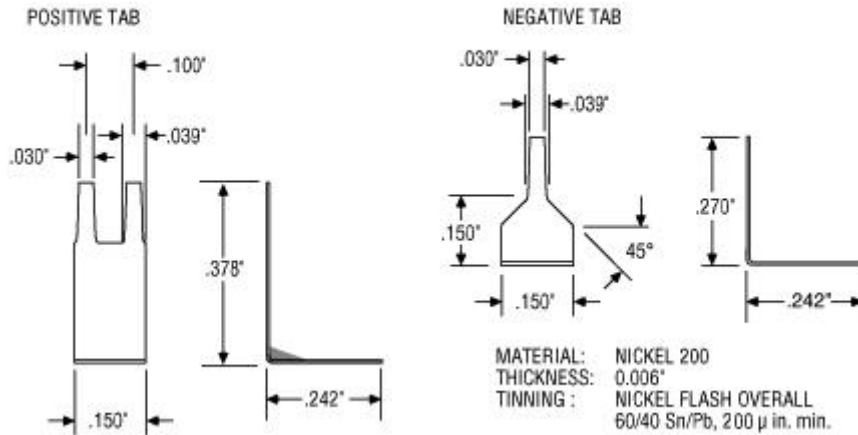


Figure 68

Pin Detail



Figure 69

Notice

This publication is furnished only as a guide. It is the user's responsibility to determine suitability of the products described for the user's purpose (even if the use is described herein) and to take precautions for protection against any hazards attendant to the handling and use of the products. Rayovac recommends prospective users test each application. The battery products and arrangements described herein may be covered by patents owned by Rayovac or others. Neither this disclosure nor the sale of products by Rayovac conveys any license under patent claims covering combinations of battery products with other elements or devices. Rayovac does not assume liability for patent infringement arising from any use of the products by the purchaser.

The technical data contained herein is not designed to be the basis for specifications. Rayovac's Quality Assurance Department can furnish data that can serve as the basis for specifications.



Worldwide Sales & Marketing Offices**RAYOVAC CORPORATION**

World Headquarters
Technical/OEM Division
P.O. Box 44960
Madison, WI 53744-4960
Tel. (608) 275-4694
Fax (608) 275-4973
www.rayovac.com

RAYOVAC CANADA

5448 Timberlea Boulevard
Mississauga, Ontario L4W 2T7
Canada
Tel. (416) 624-4448
Fax (416) 629-2571

RAYOVAC U.K.

Galleon House
King Street
Maidstone, Kent ME14 18G
England
Tel. 011-44-622-688331
Fax 011-44-622-685523

RAYOVAC FAR EAST LTD.

Room 720-723 Hollywood Plaza
610 Nathan Road
Mongkok Kowloon, Hong Kong
Tel. 011-852-782-2343
Fax 011-852-782-4091

RAYOVAC DISTRIBUTOR

Dae Dong Electronics Co. Ltd.
Chong-Gye A P T 710
205 Sanlim-Dong, Chung-Ku
Seoul, Korea
Tel. 011-82-2-272-7181 (7163)
Fax 011-82-2-274-2549
