

# ALUMINIUM PROFILES



**ROLLCO**

SPECIALIZED  
ON LINEAR MOTION

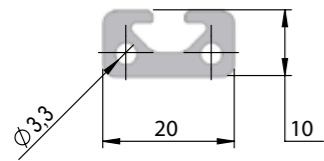
## Index

Profile system 5 .....	4-6
Profile system 6 .....	7-11
profile system 8 .....	12-21
Conduits .....	22
Fastening set .....	23-31
Hinges .....	32-33
Angles .....	34-35
T-slot nuts .....	36-37
Caps .....	38-39
Cover profiles & fastening profiles for panels .....	40-42
Multiblock .....	43
Hinges .....	44-47
Brackets, angle brackets & angle set .....	48-50
Handles .....	51-53
Locking systems .....	54
Knuckle & L-based foot .....	55-56
Rubber insert .....	57
Foot plates .....	58
Accessories .....	59-60
Sensor & cable holders .....	61
Castors .....	62
Linear components & solutions .....	63



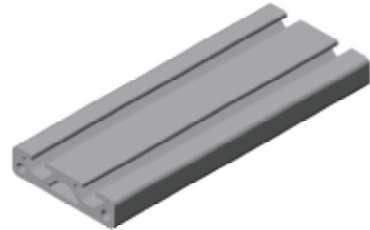
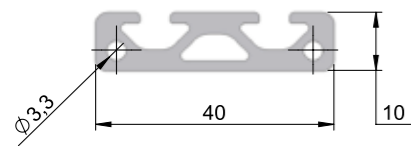
## Profile System 5

**Profile 10x20** Article No. PP4010



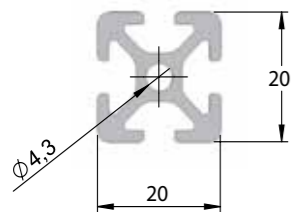
lx	0,53 cm <sup>4</sup>
ly	0,12 cm <sup>4</sup>
Wx	0,53 cm <sup>3</sup>
Wy	0,22 cm <sup>3</sup>
Profile area	1,29 cm <sup>2</sup>
Length max	6 m
Weight	0,35 kg/m

**Profile 10x40** Article No. PP4020



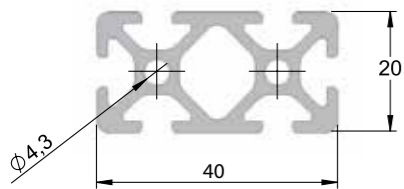
lx	3,63 cm <sup>4</sup>
ly	0,24 cm <sup>4</sup>
Wx	1,81 cm <sup>3</sup>
Wy	0,44 cm <sup>3</sup>
Profile area	2,36 cm <sup>2</sup>
Length max	6 m
Weight	0,64 kg/m

**Profile 20x20** Article No. PP4030



lx	0,73 cm <sup>4</sup>
ly	0,73 cm <sup>4</sup>
Wx	0,73 cm <sup>3</sup>
Wy	0,73 cm <sup>3</sup>
Profile area	1,82 cm <sup>2</sup>
Length max	6 m
Weight	0,49 kg/m

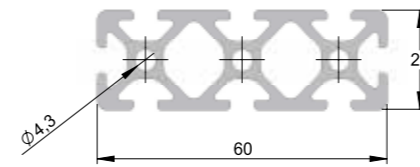
**Profile 20x40** Article No. PP4040



lx	1,41 cm <sup>4</sup>
ly	5,14 cm <sup>4</sup>
Wx	1,41 cm <sup>3</sup>
Wy	2,57 cm <sup>3</sup>
Profile area	3,32 cm <sup>2</sup>
Length max	6 m
Weight	0,89 kg/m

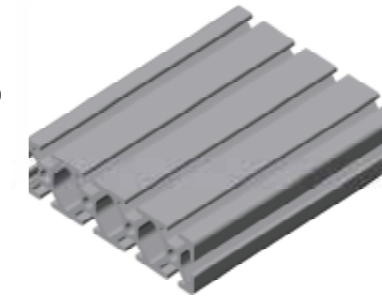
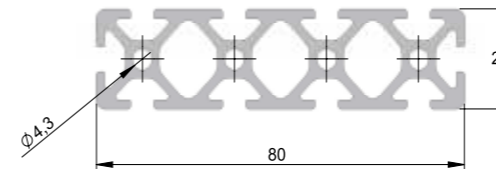
## Profile System 5

**Profile 20x60** Article No. PP4050



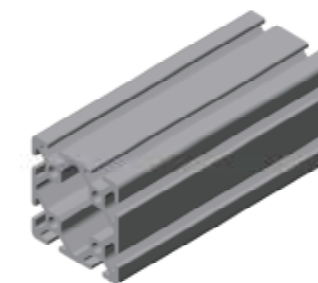
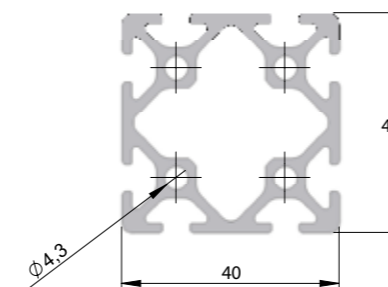
lx	2,06 cm <sup>4</sup>
ly	16,09 cm <sup>4</sup>
Wx	2,06 cm <sup>3</sup>
Wy	5,36 cm <sup>3</sup>
Profile area	4,76 cm <sup>2</sup>
Length max	6 m
Weight	1,28 kg/m

**Profile 20x80** Article No. PP4060



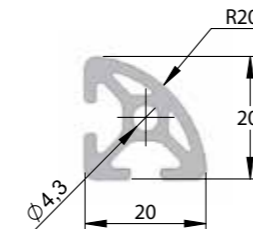
lx	2,72 cm <sup>4</sup>
ly	36,08 cm <sup>4</sup>
Wx	2,72 cm <sup>3</sup>
Wy	9,02 cm <sup>3</sup>
Profile area	6,19 cm <sup>2</sup>
Length max	6 m
Weight	1,67 kg/m

**Profile 40x40** Article No. PP4070



lx	9,3 cm <sup>4</sup>
ly	9,3 cm <sup>4</sup>
Wx	4,65 cm <sup>3</sup>
Wy	4,65 cm <sup>3</sup>
Profile area	5,14 cm <sup>2</sup>
Length max	6 m
Weight	1,39 kg/m

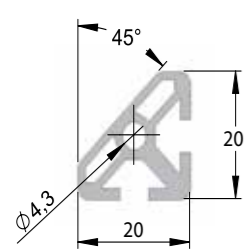
**Profile 20x20 R 90°** Article No. PP4110



lx	0,6 cm <sup>4</sup>
ly	0,6 cm <sup>4</sup>
Wx	0,55 cm <sup>3</sup>
Wy	0,55 cm <sup>3</sup>
Profile area	1,76 cm <sup>2</sup>
Length max	3 m
Weight	0,48 kg/m

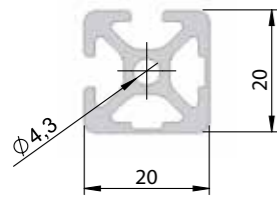
## Profile System 5

**Profile 20x20 45°** Article No. PP4120



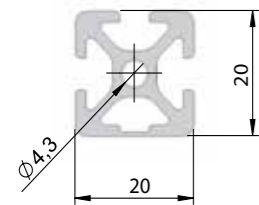
lx	0,5 cm <sup>4</sup>
ly	0,5 cm <sup>4</sup>
Wx	0,43 cm <sup>3</sup>
Wy	0,43 cm <sup>3</sup>
Profile area	1,44 cm <sup>2</sup>
Length max	3 m
Weight	0,39 kg/m

**Profile 20x20 2N90** Article No. PP4900



lx	0,78 cm <sup>4</sup>
ly	0,78 cm <sup>4</sup>
Wx	76 cm <sup>3</sup>
Wy	76 cm <sup>3</sup>
Profile area	1,91 cm <sup>2</sup>
Length max	6 m
Weight	0,51 kg/m

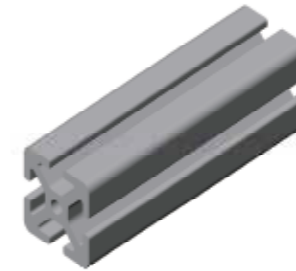
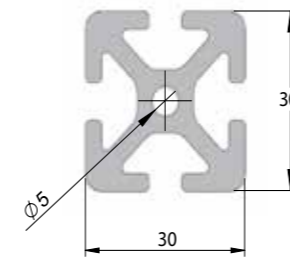
**Profile 20x20 3N** Article No. PP4901



lx	0,74 cm <sup>4</sup>
ly	0,77 cm <sup>4</sup>
Wx	74 cm <sup>3</sup>
Wy	74 cm <sup>3</sup>
Profile area	1,85 cm <sup>2</sup>
Length max	6 m
Weight	0,5 kg/m

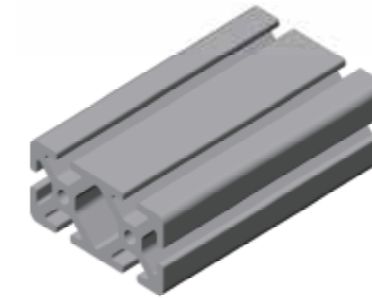
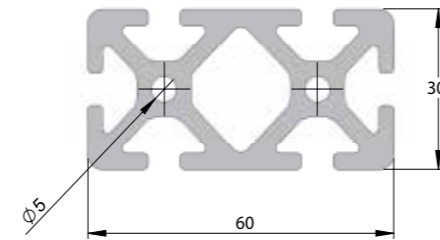
## Profile System 6

**Profile 30x30** Article No. PP3010



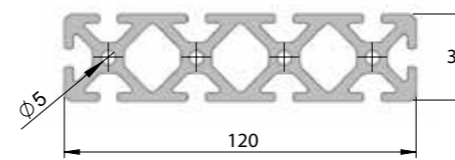
lx	2,9 cm <sup>4</sup>
ly	2,9 cm <sup>4</sup>
Wx	1,94 cm <sup>3</sup>
Wy	1,94 cm <sup>3</sup>
Profile area	3,43 cm <sup>2</sup>
Length max	6 m
Weight	0,93 kg/m

**Profile 30x60** Article No. PP3020



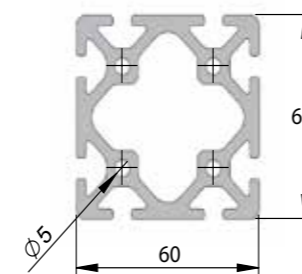
lx	7,92 cm <sup>4</sup>
ly	29,3 cm <sup>4</sup>
Wx	5,28 cm <sup>3</sup>
Wy	9,77 cm <sup>3</sup>
Profile area	8,47 cm <sup>2</sup>
Length max	6 m
Weight	2,29 kg/m

**Profile 30x120** Article No. PP3030



lx	15,42 cm <sup>4</sup>
ly	210,94 cm <sup>4</sup>
Wx	10,28 cm <sup>3</sup>
Wy	35,16 cm <sup>3</sup>
Profile area	16 cm <sup>2</sup>
Length max	6 m
Weight	4,32 kg/m

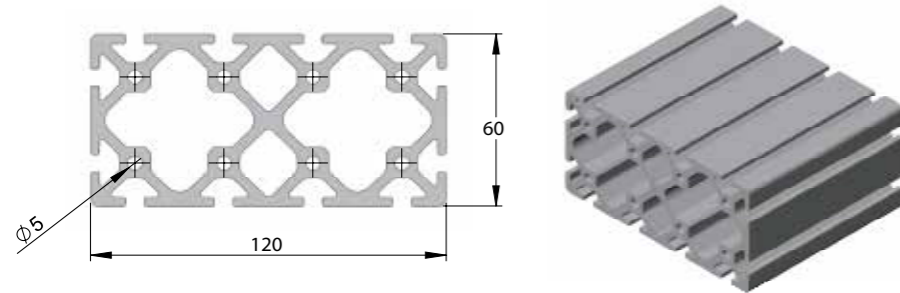
**Profile 60x60** Article No. PP3040



lx	53,77 cm <sup>4</sup>
ly	53,77 cm <sup>4</sup>
Wx	17,92 cm <sup>3</sup>
Wy	17,92 cm <sup>3</sup>
Profile area	13,33 cm <sup>2</sup>
Length max	6 m
Weight	3,6 kg/m

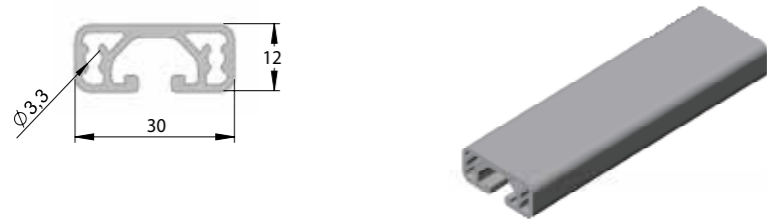
## Profile System 6

**Profile 60x120** Article No. PP3050



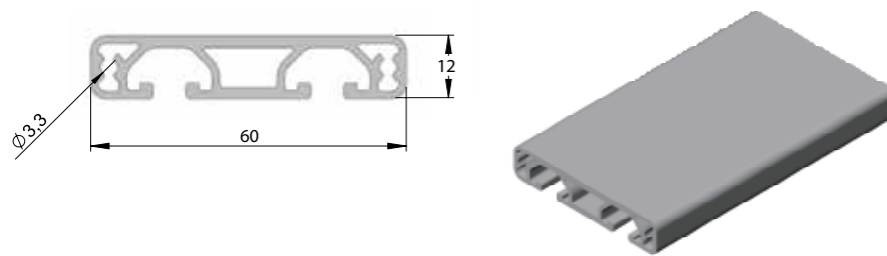
lx	102,71 cm <sup>4</sup>
ly	347,62 cm <sup>4</sup>
Wx	34,24 cm <sup>3</sup>
Wy	57,94 cm <sup>3</sup>
Profile area	24,84 cm <sup>2</sup>
Length max	6 m
Weight	6,71 kg/m

**Profile 12x30 Light** Article No. PP3053



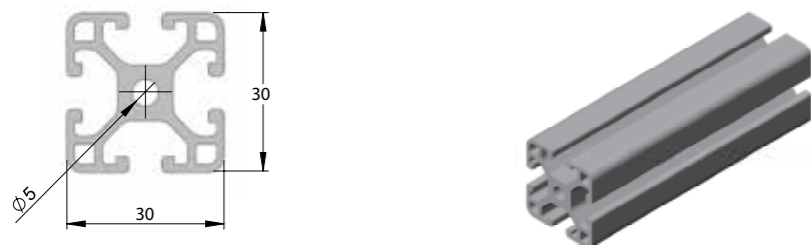
lx	0,25 cm <sup>4</sup>
ly	1,46 cm <sup>4</sup>
Wx	0,39 cm <sup>3</sup>
Wy	0,98 cm <sup>3</sup>
Profile area	1,58 cm <sup>2</sup>
Length max	6 m
Weight	0,43 kg/m

**Profile 12x60 Light** Article No. PP3055



lx	0,53 cm <sup>4</sup>
ly	10 cm <sup>4</sup>
Wx	0,83 cm <sup>3</sup>
Wy	3,34 cm <sup>3</sup>
Profile area	2,98 cm <sup>2</sup>
Length max	6 m
Weight	0,81 kg/m

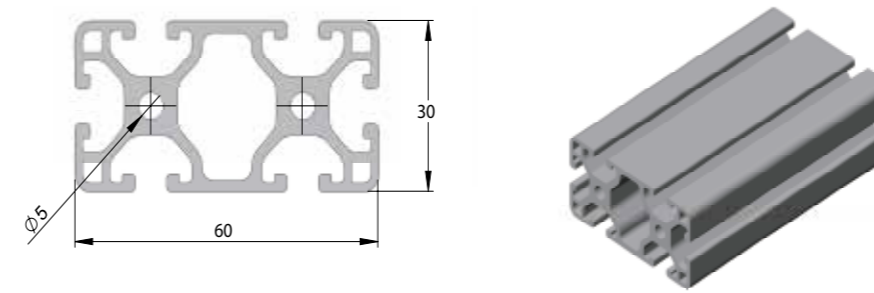
**Profile 30x30 Light** Article No. PP3060



lx	2,9 cm <sup>4</sup>
ly	2,9 cm <sup>4</sup>
Wx	1,94 cm <sup>3</sup>
Wy	1,94 cm <sup>3</sup>
Profile area	3,43 cm <sup>2</sup>
Length max	6 m
Weight	0,93 kg/m

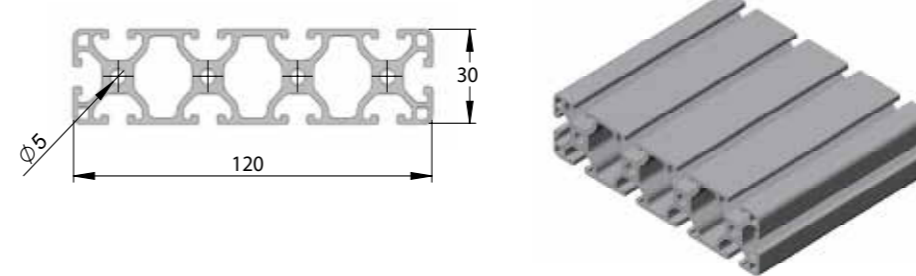
## Profile System 6

**Profile 30x60 Light** Article No. PP3070



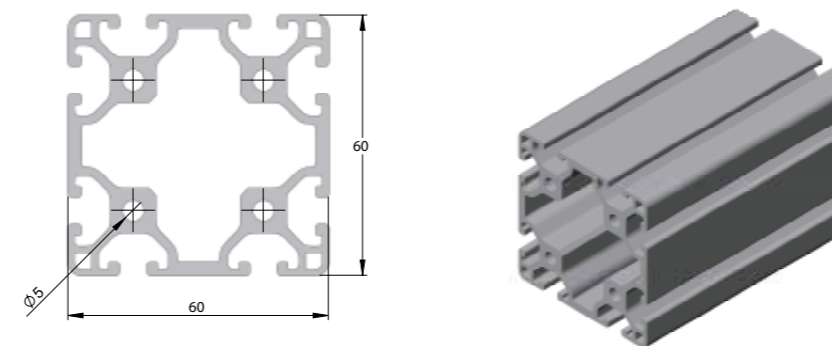
lx	5,54 cm <sup>4</sup>
ly	21,22 cm <sup>4</sup>
Wx	3,69 cm <sup>3</sup>
Wy	7,07 cm <sup>3</sup>
Profile area	6,13 cm <sup>2</sup>
Length max	6 m
Weight	1,65 kg/m

**Profile 30x120 Light** Article No. PP3080



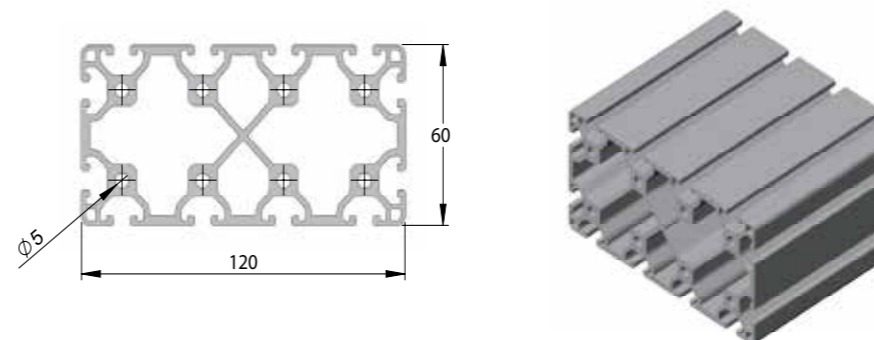
lx	10,82 cm <sup>4</sup>
ly	152,65 cm <sup>4</sup>
Wx	7,21 cm <sup>3</sup>
Wy	25,44 cm <sup>3</sup>
Profile area	11,53 cm <sup>2</sup>
Length max	6 m
Weight	3,11 kg/m

**Profile 60x60 Light** Article No. PP3090



lx	39,47 cm <sup>4</sup>
ly	39,47 cm <sup>4</sup>
Wx	13,16 cm <sup>3</sup>
Wy	13,16 cm <sup>3</sup>
Profile area	10,01 cm <sup>2</sup>
Length max	6 m
Weight	2,7 kg/m

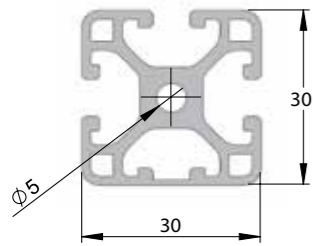
**Profile 60x120 Light** Article No. PP3100



lx	76,61 cm <sup>4</sup>
ly	259,65 cm <sup>4</sup>
Wx	25,54 cm <sup>3</sup>
Wy	43,27 cm <sup>3</sup>
Profile area	18,7 cm <sup>2</sup>
Length max	6 m
Weight	5,05 kg/m

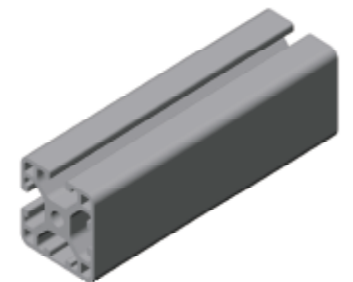
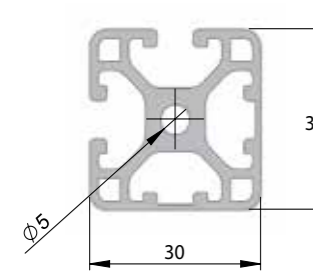
## Profile System 6

**Profile 30x30 3N Light** Article No. PP3110



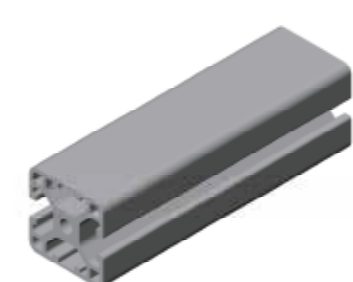
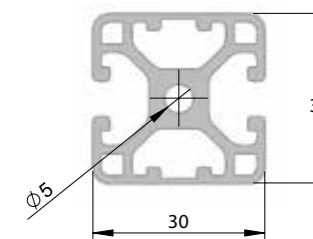
lx	2,91 cm <sup>4</sup>
ly	3,01 cm <sup>4</sup>
Wx	1,94 cm <sup>3</sup>
Wy	1,98 cm <sup>3</sup>
Profile area	3,49 cm <sup>2</sup>
Length max	6 m
Weight	0,94 kg/m

**Profile 30x30 2N 90° Light** Article No. PP3120



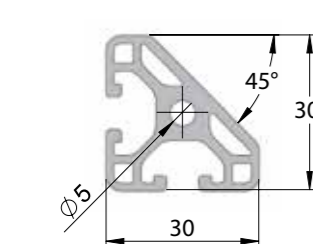
lx	3,02 cm <sup>4</sup>
ly	3,02 cm <sup>4</sup>
Wx	1,98 cm <sup>3</sup>
Wy	1,98 cm <sup>3</sup>
Profile area	3,54 cm <sup>2</sup>
Length max	6 m
Weight	0,96 kg/m

**Profile 30x30 2N 180° Light** Article No. PP3130



lx	2,90 cm <sup>4</sup>
ly	3,14 cm <sup>4</sup>
Wx	1,93 cm <sup>3</sup>
Wy	2,09 cm <sup>3</sup>
Profile area	3,54 cm <sup>2</sup>
Length max	6 m
Weight	0,96 kg/m

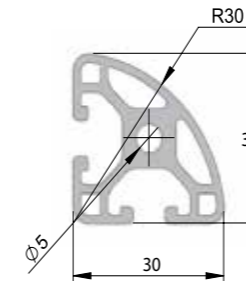
**Profile 30x30 45° Light** Article No. PP3150



lx	2,21 cm <sup>4</sup>
ly	2,21 cm <sup>4</sup>
Wx	1,33 cm <sup>3</sup>
Wy	1,33 cm <sup>3</sup>
Profile area	3,12 cm <sup>2</sup>
Length max	6 m
Weight	0,84 kg/m

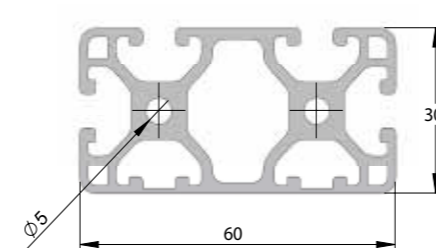
## Profile System 6

**Profile 30x30 90° Light** Article No. PP3160



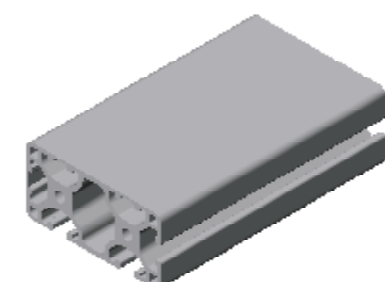
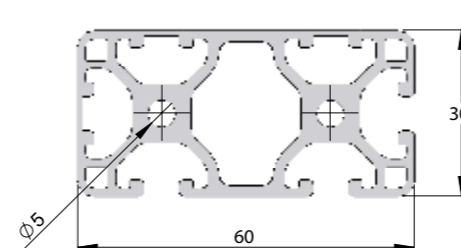
lx	2,16 cm <sup>4</sup>
ly	2,16 cm <sup>4</sup>
Wx	1,32 cm <sup>3</sup>
Wy	1,32 cm <sup>3</sup>
Profile area	3,07 cm <sup>2</sup>
Length max	6 m
Weight	0,83 kg/m

**Profile 30x60 4N 270° Light** Article No. PP3170



lx	5,77 cm <sup>4</sup>
ly	21,47 cm <sup>4</sup>
Wx	3,78 cm <sup>3</sup>
Wy	7,16 cm <sup>3</sup>
Profile area	6,24 cm <sup>2</sup>
Length max	6 m
Weight	1,68 kg/m

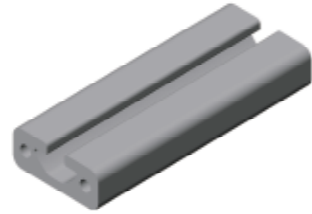
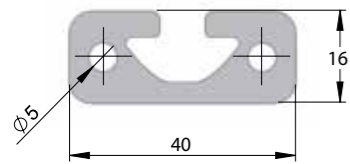
**Profile 30x60 3N 90° Light** Article No. PP3900



lx	5,77 cm <sup>4</sup>
ly	21,97 cm <sup>4</sup>
Wx	3,78 cm <sup>3</sup>
Wy	7,26 cm <sup>3</sup>
Profile area	6,30 cm <sup>2</sup>
Length max	6 m
Weight	1,7 kg/m

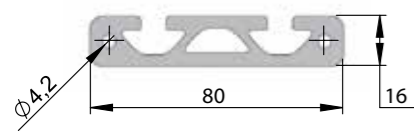
## Profile System 8

**Profile 16x40** Article No. PP1010



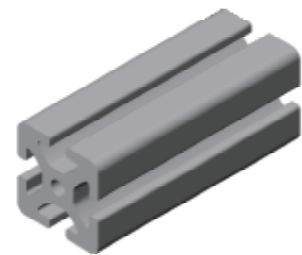
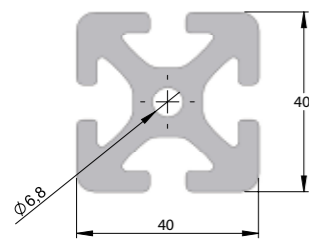
lx	1,06 cm <sup>4</sup>
ly	6,75 cm <sup>4</sup>
Wx	1,25 cm <sup>3</sup>
Wy	3,37 cm <sup>3</sup>
Profile area	4,15 cm <sup>2</sup>
Length max	6 m
Weight	1,12 kg/m

**Profile 16x80** Article No. PP1020



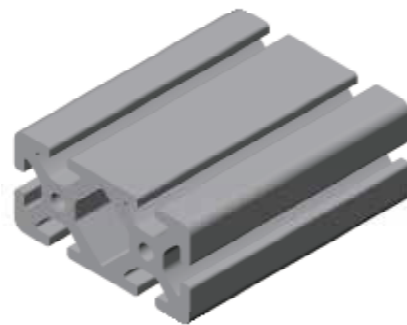
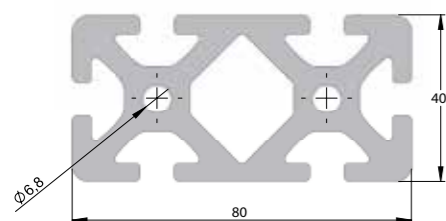
lx	2,17 cm <sup>4</sup>
ly	48,34 cm <sup>4</sup>
Wx	2,58 cm <sup>3</sup>
Wy	12,07 cm <sup>3</sup>
Profile area	8,01 cm <sup>2</sup>
Length max	6 m
Weight	2,17 kg/m

**Profile 40x40** Article No. PP1030



lx	13,85 cm <sup>4</sup>
ly	13,85 cm <sup>4</sup>
Wx	6,95 cm <sup>3</sup>
Wy	6,95 cm <sup>3</sup>
Profile area	9,05 cm <sup>2</sup>
Length max	6 m
Weight	2,45 kg/m

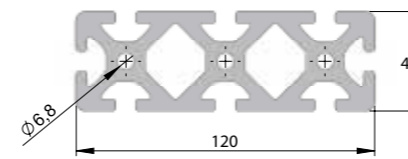
**Profile 40x80** Article No. PP1040



lx	26,7 cm <sup>4</sup>
ly	101,02 cm <sup>4</sup>
Wx	13,39 cm <sup>3</sup>
Wy	25,15 cm <sup>3</sup>
Profile area	16,52 cm <sup>2</sup>
Length max	6 m
Weight	4,51 kg/m

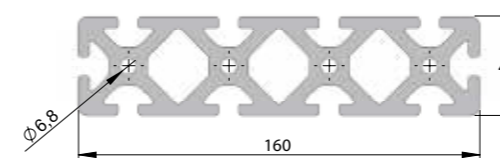
## Profile System 8

**Profile 40x120** Article No. PP1050



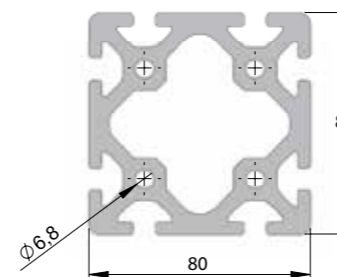
lx	38,44 cm <sup>4</sup>
ly	291,98 cm <sup>4</sup>
Wx	19,18 cm <sup>3</sup>
Wy	48,64 cm <sup>3</sup>
Profile area	22,76 cm <sup>2</sup>
Length max	6 m
Weight	6,19 kg/m

**Profile 40x160** Article No. PP1060



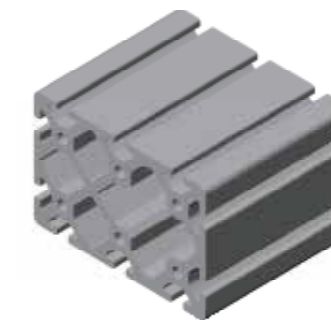
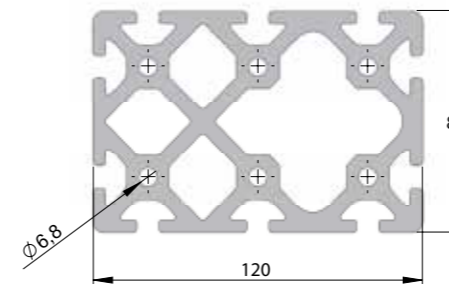
lx	52,71 cm <sup>4</sup>
ly	731,63 cm <sup>4</sup>
Wx	26,31 cm <sup>3</sup>
Wy	91,31 cm <sup>3</sup>
Profile area	31,06 cm <sup>2</sup>
Length max	6 m
Weight	8,3 kg/m

**Profile 80x80** Article No. PP1070



lx	187,8 cm <sup>4</sup>
ly	187,8 cm <sup>4</sup>
Wx	46,93 cm <sup>3</sup>
Wy	46,93 cm <sup>3</sup>
Profile area	26,65 cm <sup>2</sup>
Length max	6 m
Weight	7,2 kg/m

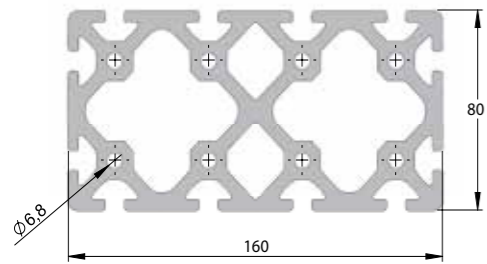
**Profile 80x120** Article No. PP1080



lx	273,15 cm <sup>4</sup>
ly	574,86 cm <sup>4</sup>
Wx	68,03 cm <sup>3</sup>
Wy	92,23 cm <sup>3</sup>
Profile area	39,97 cm <sup>2</sup>
Length max	6 m
Weight	10,76 kg/m

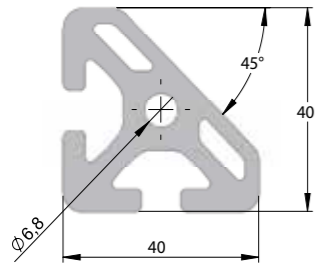
## Profile System 8

**Profile 80x160** Article No. PP1090



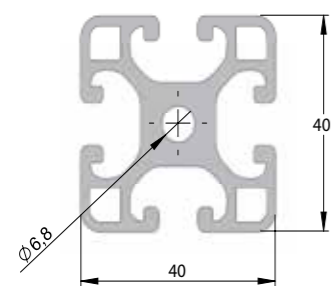
lx	362,15 cm <sup>4</sup>
ly	1232,14 cm <sup>4</sup>
Wx	90,52 cm <sup>3</sup>
Wy	154 cm <sup>3</sup>
Profile area	49,96 cm <sup>2</sup>
Length max	6 m
Weight	13,59 kg/m

**Profile 40x40 45°** Article No. PP1100



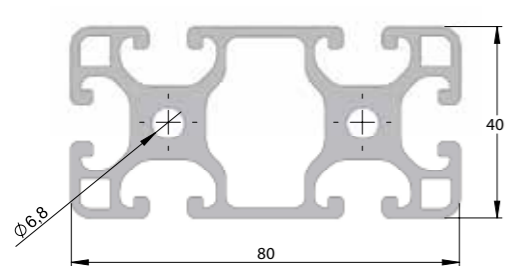
lx	9,34 cm <sup>4</sup>
ly	9,34 cm <sup>4</sup>
Wx	4,06 cm <sup>3</sup>
Wy	4,06 cm <sup>3</sup>
Profile area	7,12 cm <sup>2</sup>
Length max	6 m
Weight	1,92 kg/m

**Profile 40x40 Light** Article No. PP1130



lx	9,1 cm <sup>4</sup>
ly	9,1 cm <sup>4</sup>
Wx	4,55 cm <sup>3</sup>
Wy	4,55 cm <sup>3</sup>
Profile area	6,47 cm <sup>2</sup>
Length max	6 m
Weight	1,75 kg/m

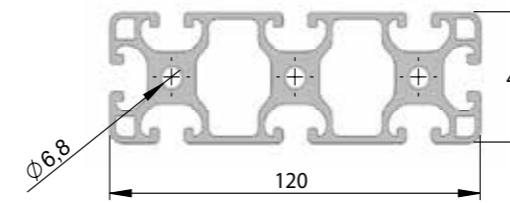
**Profile 40x80 Light** Article No. PP1140



lx	16,77 cm <sup>4</sup>
ly	70,2 cm <sup>4</sup>
Wx	8,45 cm <sup>3</sup>
Wy	17,56 cm <sup>3</sup>
Profile area	11,3 cm <sup>2</sup>
Length max	6 m
Weight	3,08 kg/m

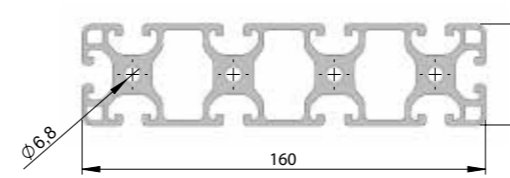
## Profile System 8

**Profile 40x120 Light** Article No. PP1155



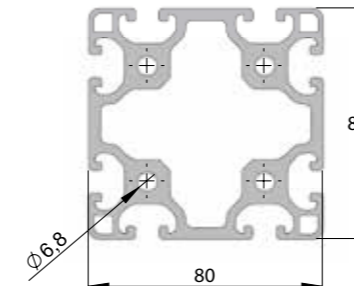
lx	24,22 cm <sup>4</sup>
ly	220,54 cm <sup>4</sup>
Wx	12,1 cm <sup>3</sup>
Wy	36,76 cm <sup>3</sup>
Profile area	16,12 cm <sup>2</sup>
Length max	6 m
Weight	4,35 kg/m

**Profile 40x160 Light** Article No. PP1160



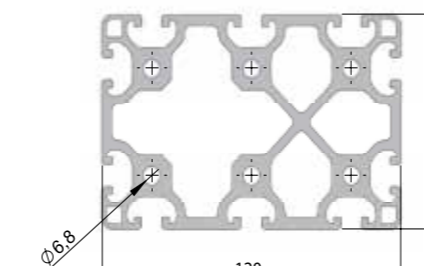
lx	31,79 cm <sup>4</sup>
ly	500,1 cm <sup>4</sup>
Wx	15,87 cm <sup>3</sup>
Wy	62,5 cm <sup>3</sup>
Profile area	20,85 cm <sup>2</sup>
Length max	6 m
Weight	5,6 kg/m

**Profile 80x80 Light** Article No. PP1170



lx	130,1 cm <sup>4</sup>
ly	130,1 cm <sup>4</sup>
Wx	33,2 cm <sup>3</sup>
Wy	33,2 cm <sup>3</sup>
Profile area	19,3 cm <sup>2</sup>
Length max	6 m
Weight	5,17 kg/m

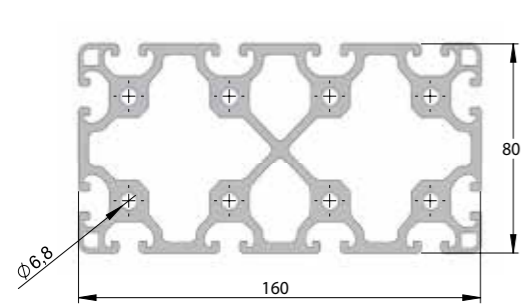
**Profile 80x120 Light** Article No. PP1190



lx	201,9 cm <sup>4</sup>
ly	421,68 cm <sup>4</sup>
Wx	50,47 cm <sup>3</sup>
Wy	68,34 cm <sup>3</sup>
Profile area	30,14 cm <sup>2</sup>
Length max	6 m
Weight	8,14 kg/m

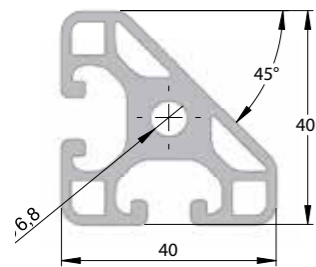
## Profile System 8

**Profile 80x160 Light** Article No. PP1200



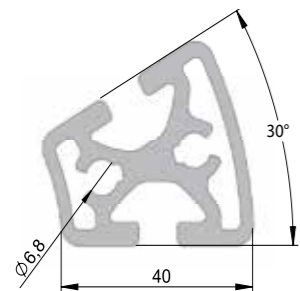
lx	268,5 cm <sup>4</sup>
ly	918,5 cm <sup>4</sup>
Wx	67,5 cm <sup>3</sup>
Wy	113,8 cm <sup>3</sup>
Profile area	37,89 cm <sup>2</sup>
Length max	6 m
Weight	10,31 kg/m

**Profile 40x40 45° Light** Article No. PP1210



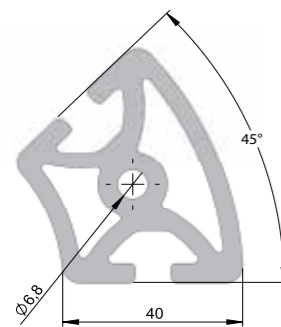
lx	6,5 cm <sup>4</sup>
ly	6,5 cm <sup>4</sup>
Wx	2,91 cm <sup>3</sup>
Wy	2,91 cm <sup>3</sup>
Profile area	5,68 cm <sup>2</sup>
Length max	6 m
Weight	1,5 kg/m

**Profile R 40/80 30°** Article No. PP1220



lx	6,41 cm <sup>4</sup>
ly	8,9 cm <sup>4</sup>
Wx	2,83 cm <sup>3</sup>
Wy	3,8 cm <sup>3</sup>
Profile area	6,2 cm <sup>2</sup>
Length max	6 m
Weight	1,67 kg/m

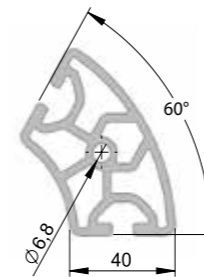
**Profile R 40/80 45°** Article No. PP1230



lx	21,29 cm <sup>4</sup>
ly	16,02 cm <sup>4</sup>
Wx	6,77 cm <sup>3</sup>
Wy	6,13 cm <sup>3</sup>
Profile area	10,19 cm <sup>2</sup>
Length max	6 m
Weight	2,72 kg/m

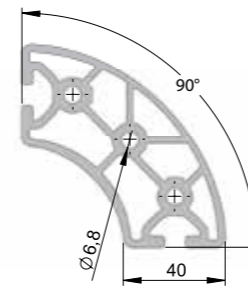
## Profile System 8

**Profile R 40/80 60°** Article No. PP1240



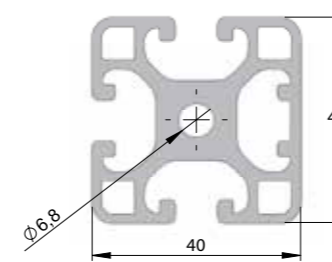
lx	22,64 cm <sup>4</sup>
ly	34,91 cm <sup>4</sup>
Wx	5,96 cm <sup>3</sup>
Wy	11,56 cm <sup>3</sup>
Profile area	10,5 cm <sup>2</sup>
Length max	6 m
Weight	2,84 kg/m

**Profile 40/80 90°** Article No. PP1250



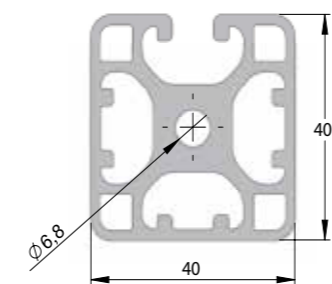
lx	76,19 cm <sup>4</sup>
ly	76,19 cm <sup>4</sup>
Wx	18,58 cm <sup>3</sup>
Wy	18,58 cm <sup>3</sup>
Profile area	14,91 cm <sup>2</sup>
Length max	6 m
Weight	4,05 kg/m

**Profile 40x40 3N Light** Article No. PP1300



lx	9,01 cm <sup>4</sup>
ly	9,54 cm <sup>4</sup>
Wx	4,5 cm <sup>3</sup>
Wy	4,66 cm <sup>3</sup>
Profile area	6,59 cm <sup>2</sup>
Length max	6 m
Weight	1,78 kg/m

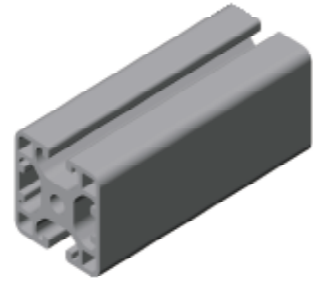
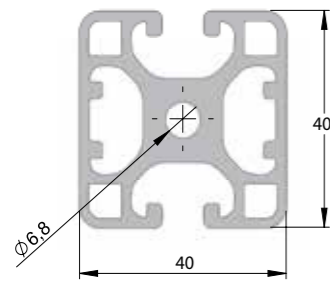
**Profile 40x40 1N Light** Article No. PP1302



lx	7,88 cm <sup>4</sup>
ly	9,02 cm <sup>4</sup>
Wx	3,94 cm <sup>3</sup>
Wy	4,51 cm <sup>3</sup>
Profile area	5,99 cm <sup>2</sup>
Length max	6 m
Weight	1,62 kg/m

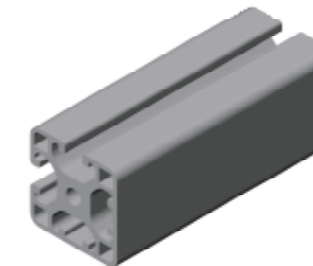
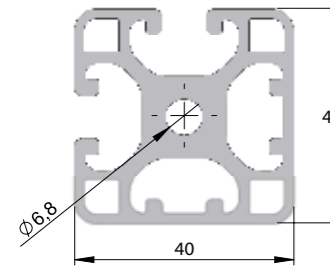
## Profile System 8

**Profile 40x40 2N 180° Light** Article No. PP1310



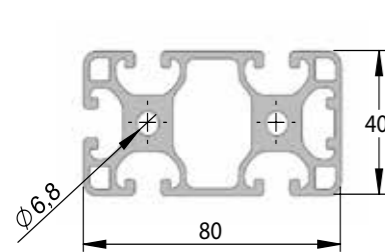
lx	7,88 cm <sup>4</sup>
ly	9,02 cm <sup>4</sup>
Wx	3,94 cm <sup>3</sup>
Wy	4,51 cm <sup>3</sup>
Profile area	5,99 cm <sup>2</sup>
Length max	6 m
Weight	1,62 kg/m

**Profile 40x40 2N 90° Light** Article No. PP1320



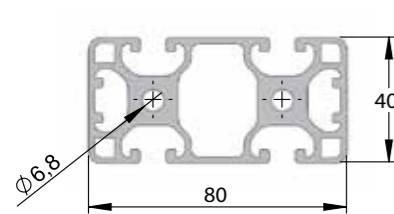
lx	9,63 cm <sup>4</sup>
ly	9,63 cm <sup>4</sup>
Wx	4,96 cm <sup>3</sup>
Wy	4,96 cm <sup>3</sup>
Profile area	6,79 cm <sup>2</sup>
Length max	6 m
Weight	1,83 kg/m

**Profile 40x80 5N Light** Article No. PP1330



lx	63,22 cm <sup>4</sup>
ly	14,09 cm <sup>4</sup>
Wx	15,57 cm <sup>3</sup>
Wy	7,05 cm <sup>3</sup>
Profile area	9,95 cm <sup>2</sup>
Length max	6 m
Weight	2,7 kg/m

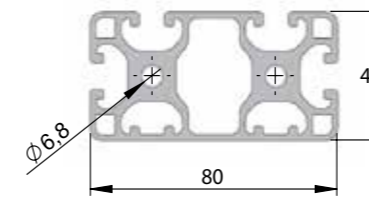
**Profile 40x80 4N 180° Light** Article No. PP1340



lx	65,74 cm <sup>4</sup>
ly	14,12 cm <sup>4</sup>
Wx	16,44 cm <sup>3</sup>
Wy	7,06 cm <sup>3</sup>
Profile area	10,12 cm <sup>2</sup>
Length max	6 m
Weight	2,74 kg/m

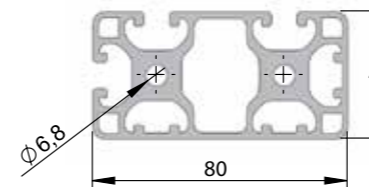
## Profile System 8

**Profile 40x80 4N 270° Light** Article No. PP1350



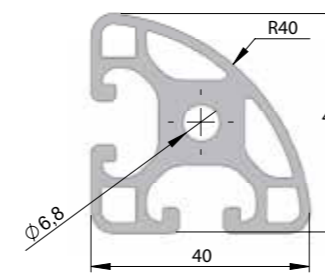
lx	62,12 cm <sup>4</sup>
ly	15,23 cm <sup>4</sup>
Wx	15,53 cm <sup>3</sup>
Wy	7,39 cm <sup>3</sup>
Profile area	10,12 cm <sup>2</sup>
Length max	6 m
Weight	2,74 kg/m

**Profile 40x80 3N 90° Light** Article No. PP1360



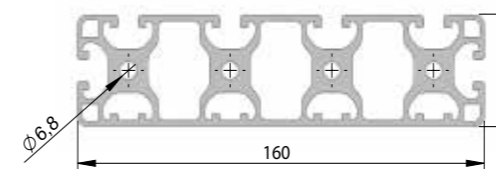
lx	64,56 cm <sup>4</sup>
ly	15,26 cm <sup>4</sup>
Wx	15,9 cm <sup>3</sup>
Wy	7,41 cm <sup>3</sup>
Profile area	10,28 cm <sup>2</sup>
Length max	6 m
Weight	2,78 kg/m

**Profile 40x40 R 90° Light** Article No. PP1370



lx	6,67 cm <sup>4</sup>
ly	6,67 cm <sup>4</sup>
Wx	3,05 cm <sup>3</sup>
Wy	3,05 cm <sup>3</sup>
Profile area	5,73 cm <sup>2</sup>
Length max	6 m
Weight	1,56 kg/m

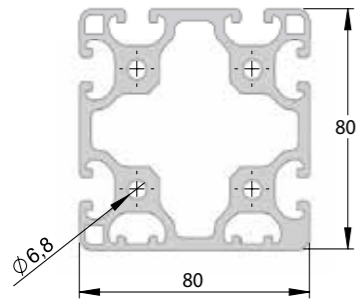
**Profile 40x160 6N Light** Article No. PP1380



lx	33,90 cm <sup>4</sup>
ly	512,66 cm <sup>4</sup>
Wx	16,52 cm <sup>3</sup>
Wy	64,08 cm <sup>3</sup>
Profile area	21,50 cm <sup>2</sup>
Length max	6 m
Weight	5,80 kg/m

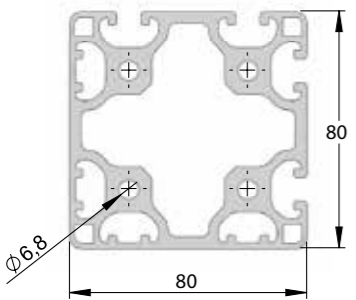
## Profile System 8

**Profile 80x80 6N Light** Article No. PP1901



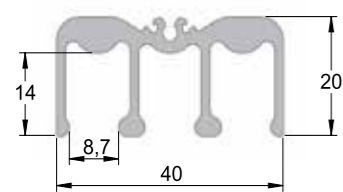
lx	139 cm <sup>4</sup>
ly	135 cm <sup>4</sup>
Wx	34,25 cm <sup>3</sup>
Wy	33,68 cm <sup>3</sup>
Profile area	20,08 cm <sup>2</sup>
Length max	6 m
Weight	5,42 kg/m

**Profile 80x80 4N90° L Light** Article No. PP1902



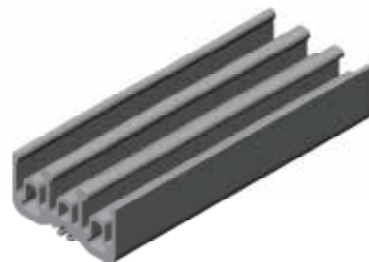
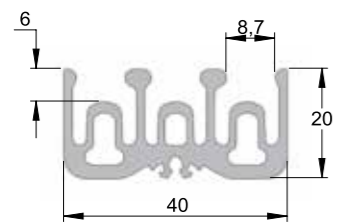
lx	140 cm <sup>4</sup>
ly	140 cm <sup>4</sup>
Wx	34,48 cm <sup>3</sup>
Wy	34,48 cm <sup>3</sup>
Profile area	20,39 cm <sup>2</sup>
Length max	6 m
Weight	5,5 kg/m

**Sliding door profile top** Article No. PP1510



Profile area	2,76 cm <sup>2</sup>
Length max	6 m
Weight	0,75 kg/m

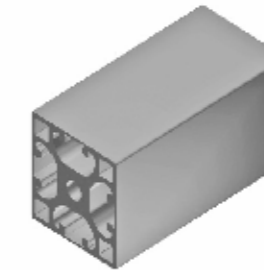
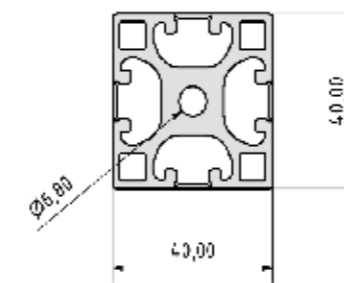
**Sliding door profile bottom** Article No. PP1520



Profile area	3,43 cm <sup>2</sup>
Length max	6 m
Weight	0,93 kg/m

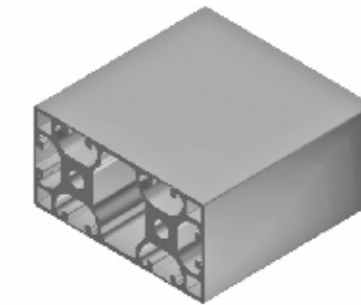
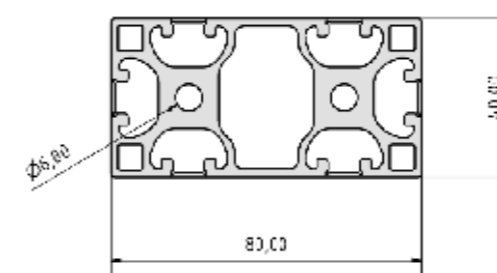
## Profile System 8

**Profile Z 40x40 ON Light** Article No. PP6100



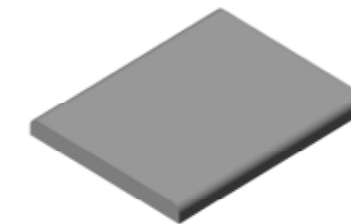
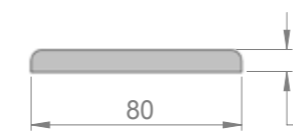
lx	10,03 cm <sup>4</sup>
ly	10,03 cm <sup>4</sup>
Wx	5,01 cm <sup>3</sup>
Wy	5,01 cm <sup>3</sup>
Profile area	6,90 cm <sup>2</sup>
Length max	6 m
Weight	1,86 kg/m

**Profile Z 40x80 ON Light** Article No. PP6110



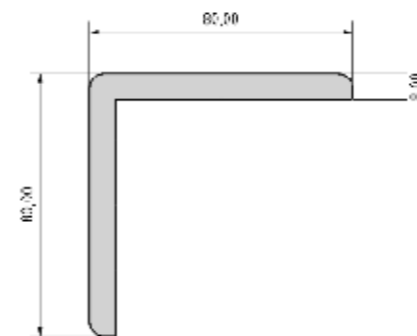
lx	18,30 cm <sup>4</sup>
ly	75,12 cm <sup>4</sup>
Wx	9,15 cm <sup>3</sup>
Wy	18,78 cm <sup>3</sup>
Profile area	11,89 cm <sup>2</sup>
Length max	6 m
Weight	3,21 kg/m

**Profile M 80x8 E** Article No. PP1540



lx	33,05 cm <sup>4</sup>
ly	0,33 cm <sup>4</sup>
Wx	8,26 cm <sup>3</sup>
Wy	0,81 cm <sup>3</sup>
Profile area	6,32 cm <sup>2</sup>
Length max	3 m
Weight	1,70 kg/m

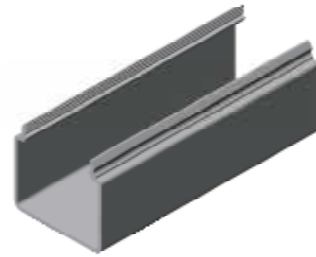
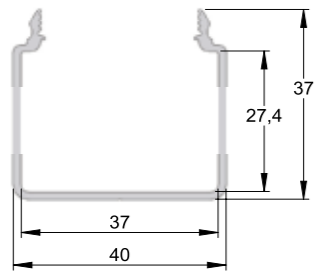
**Profile M 80x80x8 E** Article No. PP1545



lx	72,27 cm <sup>4</sup>
ly	72,27 cm <sup>4</sup>
Wx	12,66 cm <sup>3</sup>
Wy	12,66 cm <sup>3</sup>
Profile area	12,05 cm <sup>2</sup>
Length max	3 m
Weight	3,25 kg/m

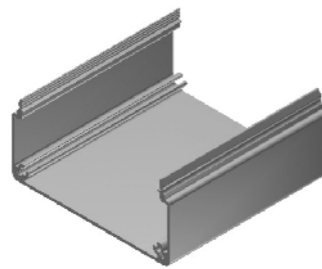
# Conduits

**Conduit profile U 40x40** Article No. PP5010



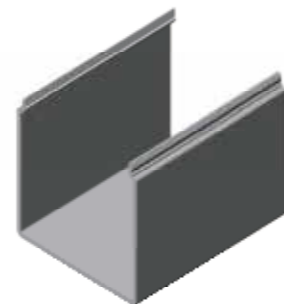
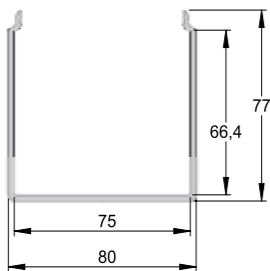
Profile area 2,28 cm<sup>2</sup>  
 Length max 6 m  
 Weight 0,62 kg/m

**Conduit profile U 40x80** Article No. PP5020



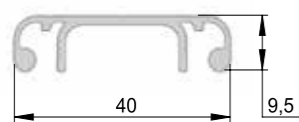
Profile area 2,87 cm<sup>2</sup>  
 Length max 6 m  
 Weight 0,78 kg/m

**Conduit profile U 80x80** Article No. PP5030



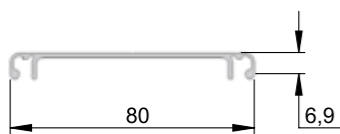
Profile area 6,14 cm<sup>2</sup>  
 Length max 6 m  
 Weight 1,66 kg/m

**Lid profile D 40** Article No. PP5040



Profile area 1,13 cm<sup>2</sup>  
 Length max 6 m  
 Weight 0,30 kg/m

**Lid profile D 80** Article No. PP5050



Profile area 2,37 cm<sup>2</sup>  
 Length max 6 m  
 Weight 0,64 kg/m

# Fastening Set Overview



Standard fastening set, page 26



Universal fastening set, page 27



Universal butt fastening set, page 28



Automatic fastening set, page 29



Automatic butt fastening set, page 30



Hinges, page 32-33



Fastening set, page 31



Angles, page 34-35

## Mounting Instructions

### Automatic fastening set

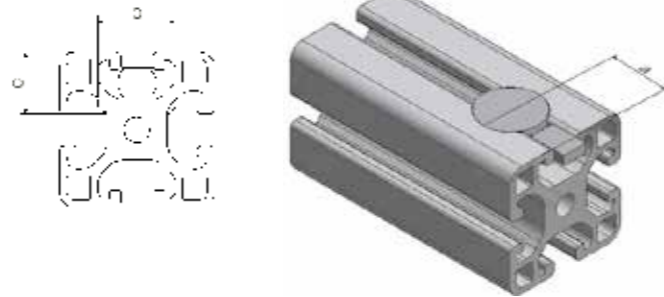
- The fastener is screwed from the end of the profile into the groove, wherein the thread is automatically cut.
- No additional machining of the profile is needed.
- This fastening system is slideable along the second profile.
- Automatic fastening sets should always be used in pairs.



Clamping profile B	a	t
8 40x40	2-8,5 mm	20 mm
8 40x40 180°	2-8,5 mm	15 mm

### Universal fastening set

- The fastener is anchored into the profile through a drilled hole.
- This fastening system is slideable along the second profile.
- Universal fastening sets should always be used in pairs.



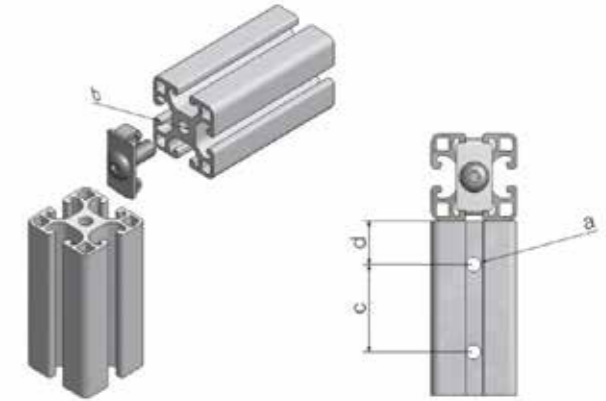
	a	b	c
PR5	10 mm	12 mm	8,5 mm
PR6	15 mm	16 mm	12,7 mm
PR8	20 mm	20 mm	16 mm

## Mounting Instructions

### Standard fastening set

- This fastener is used as a stable and stationary attachment for right angle connection of profiles.
- High loading ability against displacement and torsion.

	a	b	c	d
PR5	Ø 4,3 mm	M5, 12 mm deep	20 mm	10 mm
PR6	Ø 5,5 mm	M6, 15 mm deep	30 mm	15 mm
PR8	Ø 7 mm	M8, 16 mm deep	40 mm	20 mm

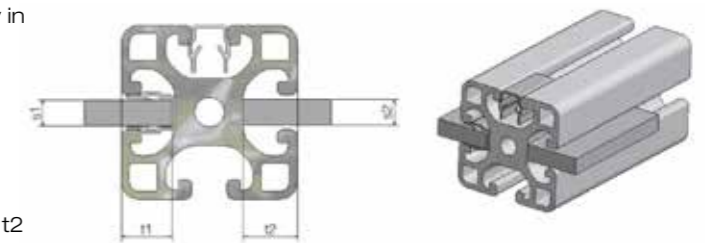


### With or without cover or supporting profile

- Flexible plastic profile for two different uses:  
As cover to protect against pollution of the profile grooves and as support for surface elements to keep them safely in the wide profile grooves.

### Surfaces in the groove

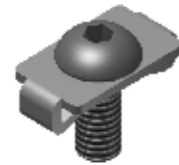
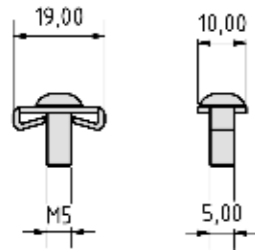
	S1 with	t1 with	S2	t2
PR5	1,5-2 mm	5 mm	up to 4,5	5,5 mm
PR6	2-3,5 mm	8 mm	up to 5,5	9 mm
PR8	4-5,5 mm	10 mm	up to 7,5	11,5 mm



## Standard Fastening Set

Standard fastening set Article No. PV4025

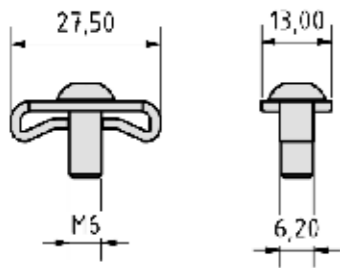
**Profile 5**



Material Zinc coated steel  
 Weight 4 g  
 Torque 4,5 Nm

Standard fastening set Article No. PV3025

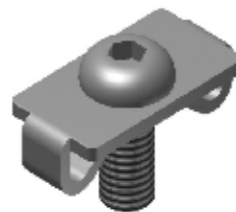
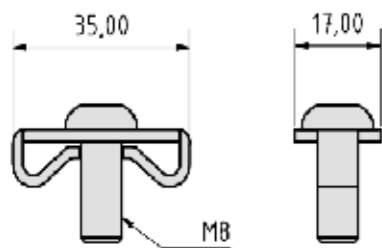
**Profile 6**



Material Zinc coated steel  
 Weight 9 g  
 Torque 10 Nm

Standard fastening set Article No. PV1022

**Profile 8**

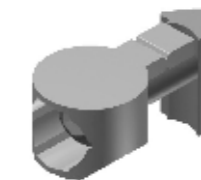
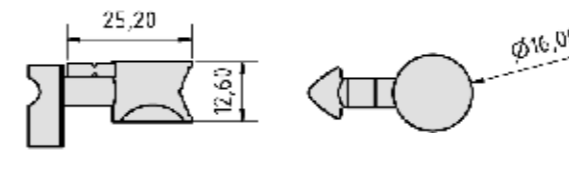


Material Zinc coated steel  
 Weight 14 g  
 Torque 25 Nm

## Universal Fastening Set

Universal fastening set Article No. PV3015

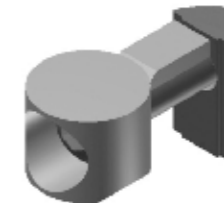
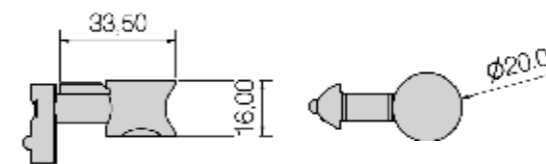
**Profile 6**



Material Zinc coated steel  
 Weight 18 g  
 Torque 8 Nm

Universal fastening set Article No. PV1015

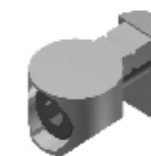
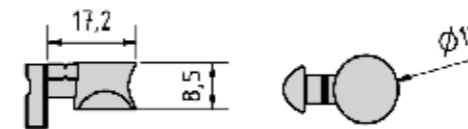
**Profile 8**



Material Zinc coated steel  
 Weight 31 g  
 Torque 25 Nm

Universal fastening set Article No. PV4020

**Profile 5**

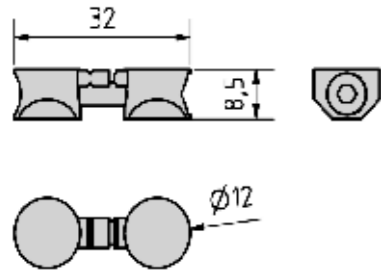


Material Zinc coated steel  
 Weight 7 g  
 Torque 3 Nm

## Universal Butt Fastening Set

Universal butt fastening set Article No. PV4030

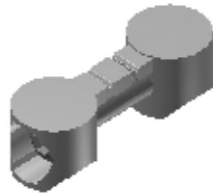
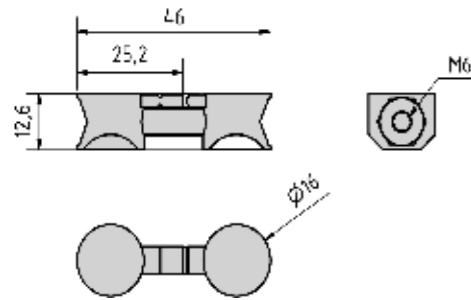
**Profile 5**



Material Zinc coated steel  
Weight 10 g  
Torque 3 Nm

Universal butt fastening set Article No. PV3016

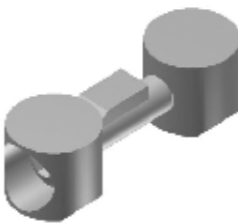
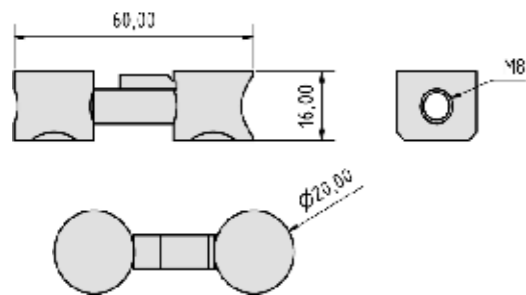
**Profile 6**



Material Zinc coated steel  
Weight 34 g  
Torque 8 Nm

Universal butt fastening set Article No. PV1030

**Profile 8**

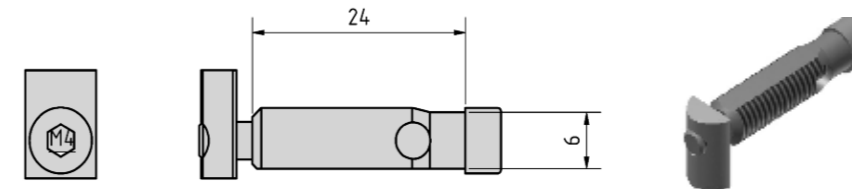


Material Zinc coated steel  
Weight 54 g  
Torque 25 Nm

## Automatic Fastening Set

Automatic fastening set Article No. PV4035

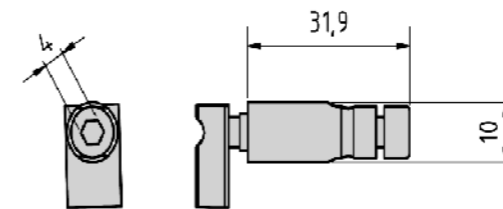
**Profile 5**



Material Zinc coated steel  
Weight 8 g  
Torque 2,5 Nm

Automatic fastening set Article No. PV3045

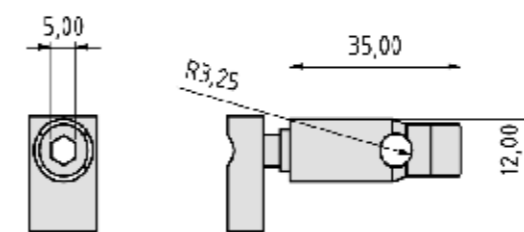
**Profile 6**



Material Zinc coated steel  
Weight 18 g  
Torque 8 Nm

Automatic fastening set Article No. PV1102

**Profile 8**

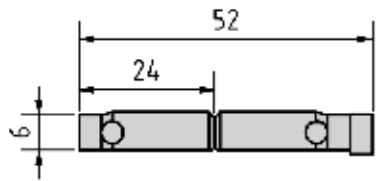


Material Zinc coated steel  
Weight 35 g  
Torque 14 Nm

## Automatic Butt Fastening Set & Pin Element

Automatic butt fastening set Article No. PV4040

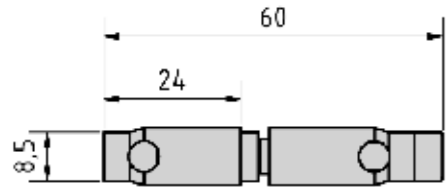
**Profile 5**



Material Zinc coated steel  
 Weight 23 g  
 Screw M5x45  
 Torque 2,5 Nm

Automatic butt fastening set Article No. PV3050

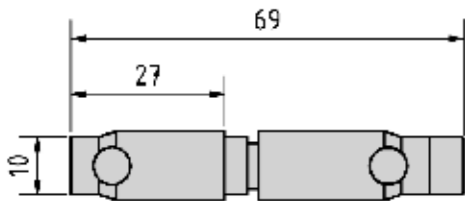
**Profile 6**



Material Zinc coated steel  
 Weight 23 g  
 Screw M5x45  
 Torque 8 Nm

Automatic butt fastening set Article No. PV1105

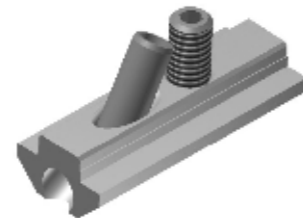
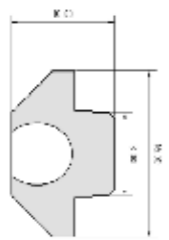
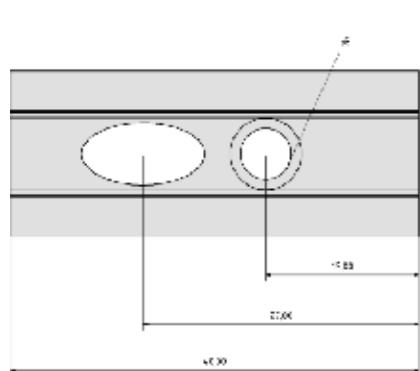
**Profile 8**



Material Zinc coated steel  
 Weight 43 g  
 Screw M6x50  
 Torque 14 Nm

Pin element Article No. PV1025

**Profile 8**

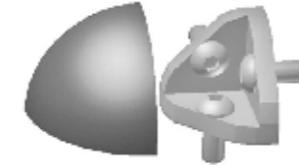
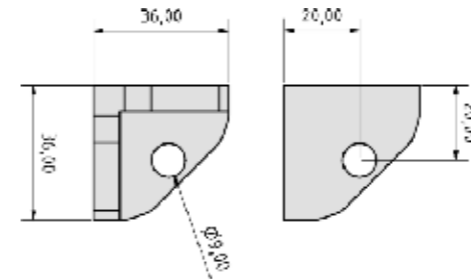


Material Steel  
 Weight 35 g  
 Screw M6x12

## Fastening Set

Fastening set R40-90° Article No. PV1060

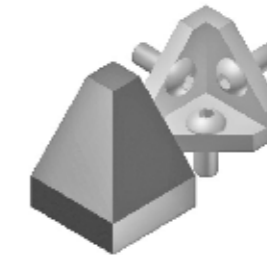
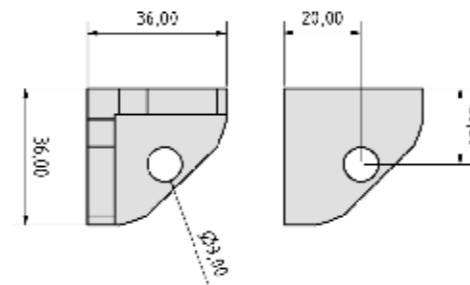
**Profile 8**



Material Zinc coated steel  
 Weight 120 g  
 Colour Black cap PA

Fastening set 40x40 2x45° Article No. PV1065

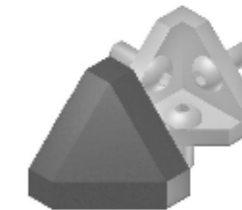
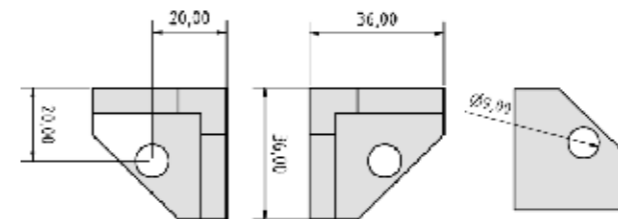
**Profile 8**



Material Zinc coated steel  
 Weight 128 g  
 Colour Black cap PA

Fastening set 40x40-45° Article No. PV1070

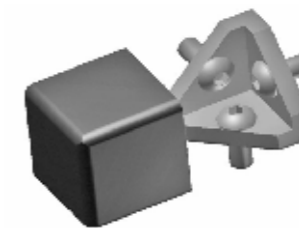
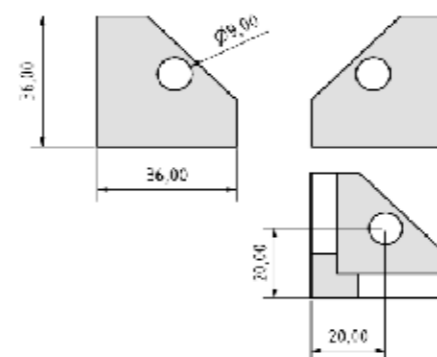
**Profile 8**



Material Zinc coated steel  
 Weight 128 g  
 Colour Black cap PA

Fastening set 40x40x40 Article No. PV1075

**Profile 8**

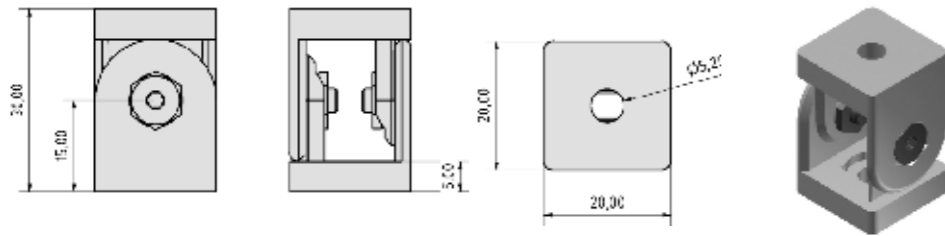


Material Zinc coated steel  
 Weight 133 g  
 Colour Black cap PA

# Hinges

**Hinge 20** Article No. PZ4160

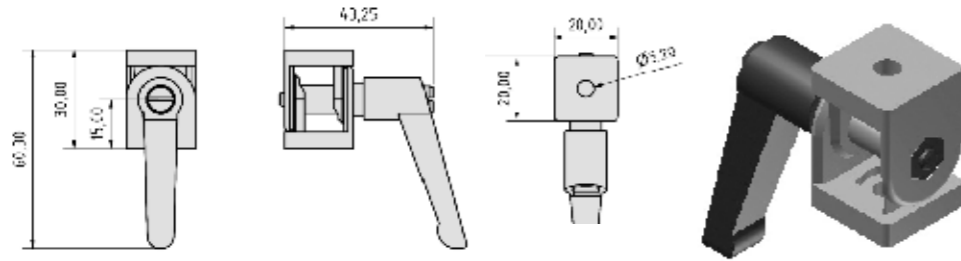
**Profile 5**



Weight 39 g

**Hinge 20 with clamp lever** Article No. PZ4161

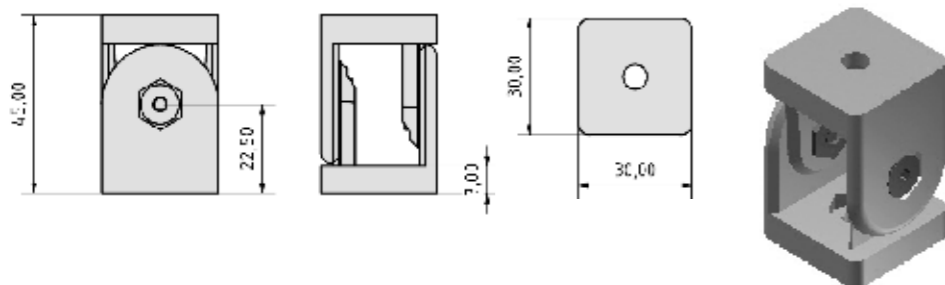
**Profile 5**



Weight 81 g

**Hinge 30** Article No. PZ3200

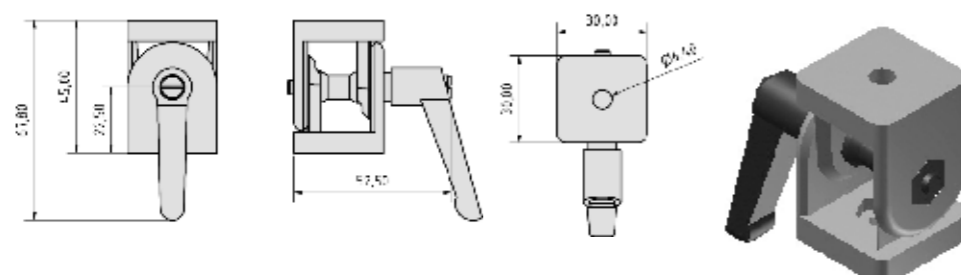
**Profile 6**



Weight 125 g

**Hinge 30 with clamp lever** Article No. PZ3205

**Profile 6**

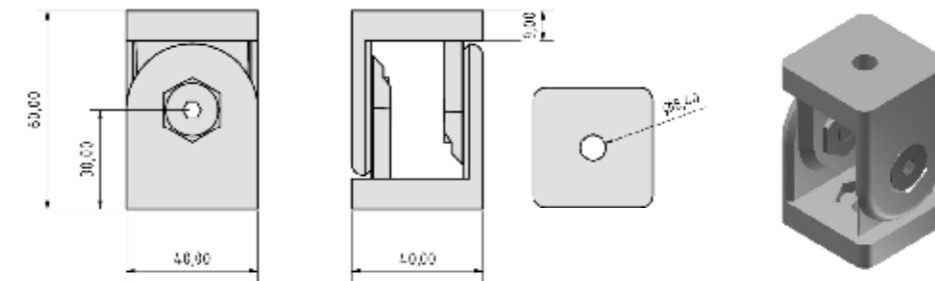


Weight 159 g

# Hinges

**Hinge 40** Article No. PZ1310

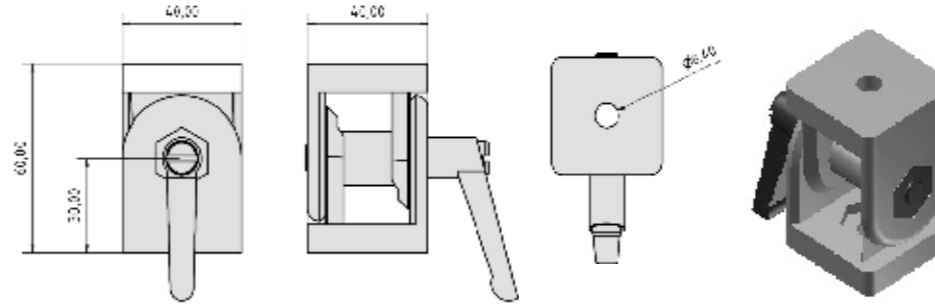
**Profile 8**



Weight 305 g

**Hinge 40 with clamp lever** Article No. PZ1315

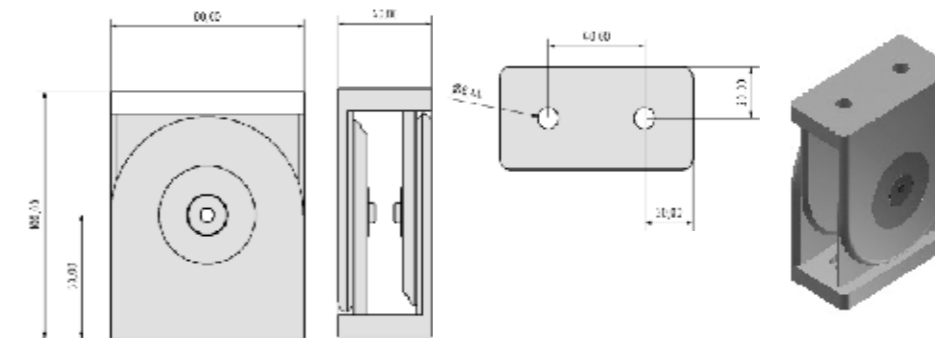
**Profile 8**



Weight 400 g

**Hinge 80** Article No. PZ1317

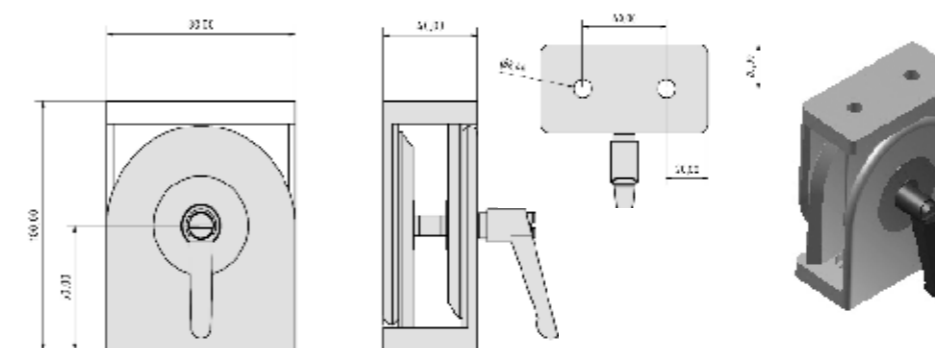
**Profile 8**



Weight 1049 g

**Hinge 80 with clamp lever** Article No. PZ1318

**Profile 8**

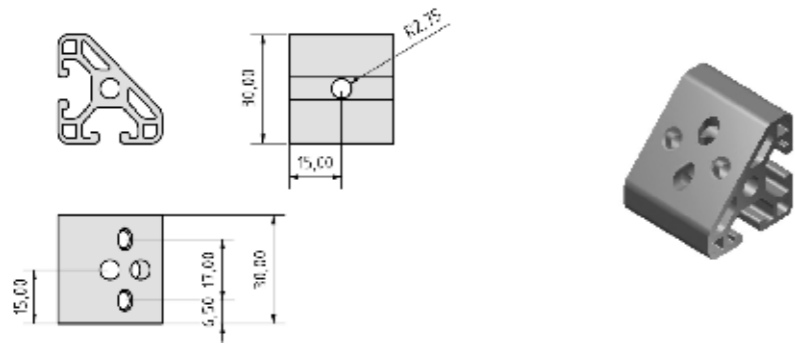


Weight 1140 g

# Angles

Angle set T1-30 Article No. PZ3210

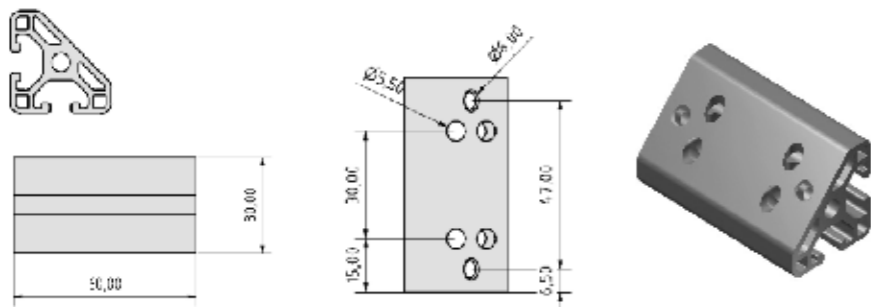
Profile 6



Material: Al  
 Colour: Black cap  
 Weight: 23 g

Angle set T1-60 Article No. PZ3215

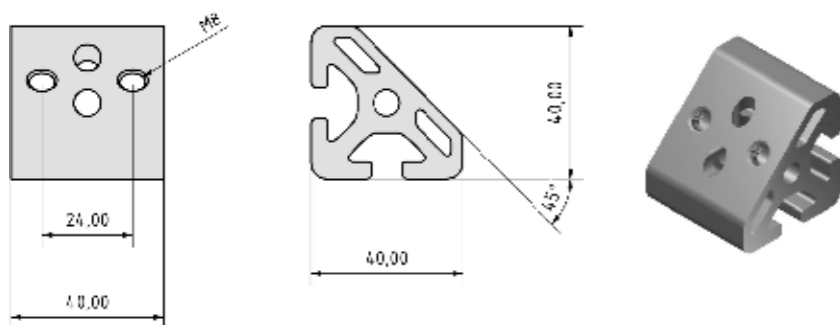
Profile 6



Material: Al  
 Colour: Black cap  
 Weight: 40 g

Angle set T1-40 Article No. PZ1345

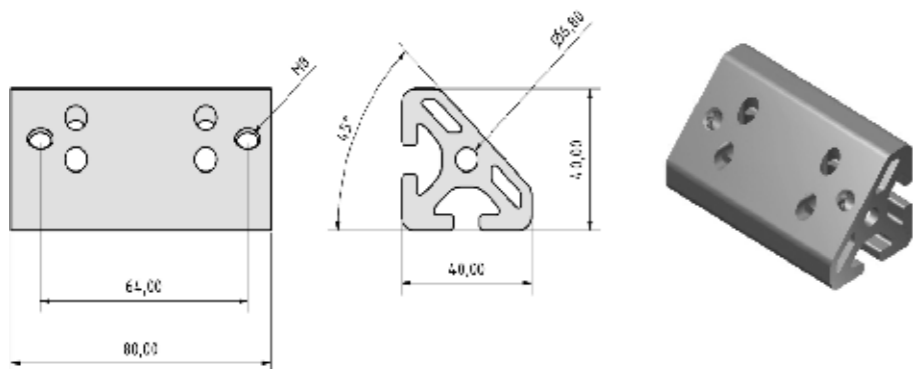
Profile 8



Material: Al  
 Colour: Black cap  
 Weight: 73 g

Angle set T1-80 Article No. PZ1350

Profile 8

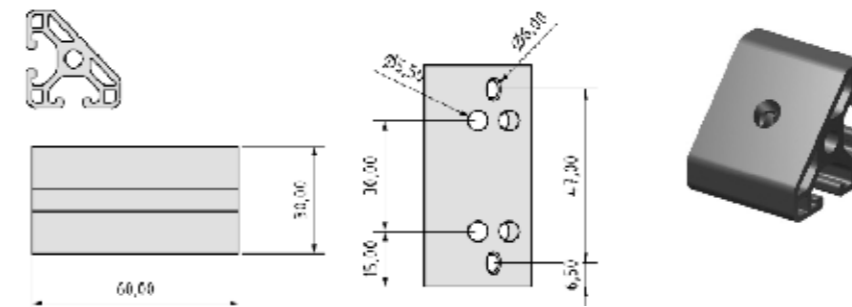


Material: Al  
 Colour: Black cap  
 Weight: 148 g

# Angles

Angle set T2-30 Article No. PZ3220

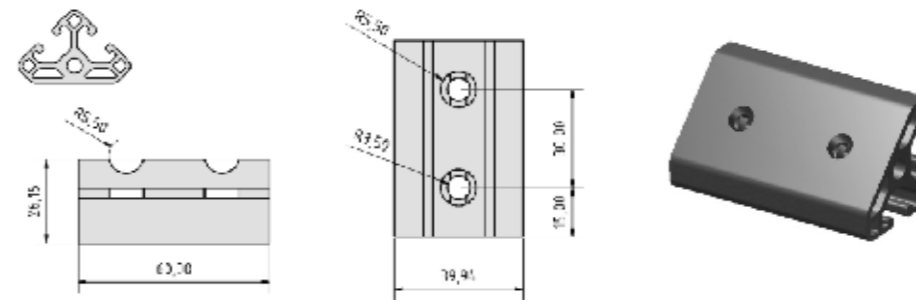
Profile 6



Material: Al  
 Colour: Black cap  
 Weight: 23 g

Angle set T2-60 Article No. PZ3225

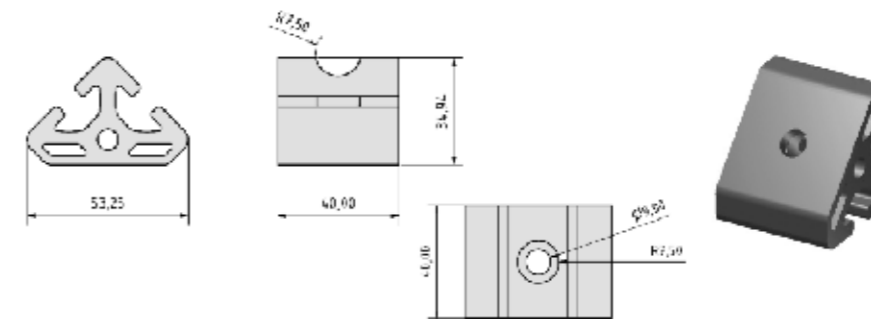
Profile 6



Material: Al  
 Colour: Black cap  
 Weight: 44 g

Angle set T2-40 Article No. PZ1355

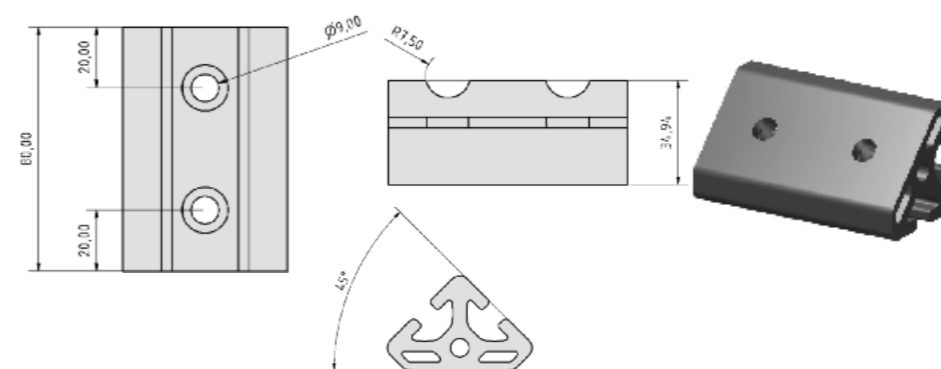
Profile 8



Material: Al  
 Colour: Black cap  
 Weight: 67 g

Angle set T2-80 Article No. PZ1360

Profile 8



Material: Al  
 Colour: Black cap  
 Weight: 135 g

### T-slot Nut - Flexible



Article No.	Profile	Type	Material	Weight (g)
PN4025	5	M3	St, zinc coated	2
PN4030	5	M4	St, zinc coated	2
PN4035	5	M5	St, zinc coated	2
PN3010	6	M4	St, zinc coated	5
PN3015	6	M5	St, zinc coated	5
PN3020	6	M6	St, zinc coated	5
PN1030	8	M4	St, zinc coated	11
PN1035	8	M5	St, zinc coated	11
PN1040	8	M6	St, zinc coated	10
PN1045	8	M8	St, zinc coated	9

### T-slot Nut - Step



Article No.	Profile	Type	Material	Weight (g)
PN4010	5	M3 step	St, zinc coated	2
PN4015	5	M4 step	St, zinc coated	2
PN4020	5	M5 step	St, zinc coated	2
PN3055	6	M4 step	St, zinc coated	5
PN3060	6	M5 step	St, zinc coated	5
PN3065	6	M6 step	St, zinc coated	5
PN1005	8	M3 step	St, zinc coated	12
PN1010	8	M4 step	St, zinc coated	12
PN1015	8	M5 step	St, zinc coated	11
PN1020	8	M6 step	St, zinc coated	11
PN1025	8	M8 step	St, zinc coated	10

### T-slot Nut - Heavy



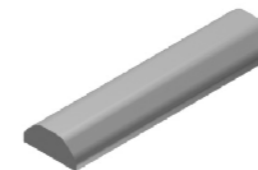
Article No.	Profile	Type	Material	Weight (g)
PN1070	8	M4 heavy step	St, zinc-coated	13
PN1075	8	M5 heavy step	St, zinc-coated	13
PN1080	8	M6 heavy step	St, zinc-coated	14
PN1085	8	M8 heavy step	St, zinc-coated	15
PN1068	8	M8 heavy	St, zinc-coated	11
PN1069	8	M8 heavy	St, zinc-coated	10

### T-slot Nut - Double Threaded



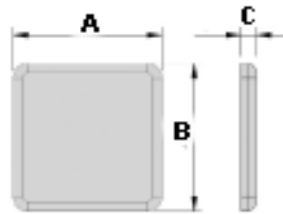
Article No.	Profile	Type	Material	Weight (g)
PN3110	6	2xM5-28	St, zinc-coated	14
PN3115	6	2xM6-28	St, zinc-coated	16
PN3120	6	2xM5-58	St, zinc-coated	19
PN3125	6	2xM6-58	St, zinc-coated	19
PN1090	8	2xM6-36	St, zinc-coated	16
PN1095	8	2xM6-76	St, zinc-coated	38
PN1100	8	2xM8-36	St, zinc-coated	16
PN1105	8	2xM8-76	St, zinc-coated	38
PN1106	8	2xM8-39,5	St, zinc-coated	15
PN1107	8	2xM8-79,5	St, zinc-coated	37

### T-slot Nut - Profile

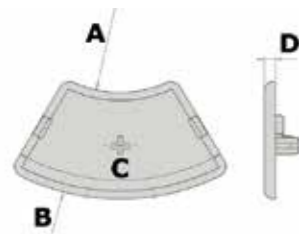


Article No.	Profile	Type	Material	Weight (g/m)
PN4110	5	1000	St, zinc-coated	280
PN1130	8	1000	St, zinc-coated	540
PN4100	5	1000 step	St, zinc-coated	280
PN1135	8	1000 step	St, zinc-coated	580
PN1140	8	1000 heavy	St, zinc-coated	820

# Caps



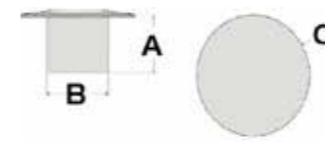
Article No.	Profile	A	B	C	Material	Weight (g)
PA4015	5	20	10	2,5	PA-GF	1
PA4020	5	40	10	2,5	PA-GF	1
PA4025	5	20	20	2,5	PA-GF	1
PA4030	5	40	20	2,5	PA-GF	2
PA4035	5	60	20	2,5	PA-GF	2
PA4040	5	80	20	2,5	PA-GF	3
PA4045	5	40	40	2,5	PA-GF	4
PA3005	6	30	12	3	PA-GF	5
PA3006	6	60	12	3	PA-GF	5
PA3010	6	30	30	3	PA-GF	3
PA3015	6	60	30	3	PA-GF	5
PA3020	6	120	30	3	PA-GF	7
PA3025	6	60	60	3	PA-GF	7
PA3030	6	120	60	3	PA-GF	7
PA1010	8	40	16	4	PA-GF	2
PA1015	8	80	16	4	PA-GF	5
PA1020	8	40	40	4	PA-GF	5
PA1025	8	80	40	4	PA-GF	8
PA1029	8	80	80	4	PA-GF	17
PA1032	8	120	40	4	PA-GF	27
PA1033	8	160	40	4	PA-GF	37
PA1035	8	120	80	4	PA-GF	21
PA1040	8	160	80	4	PA-GF	34



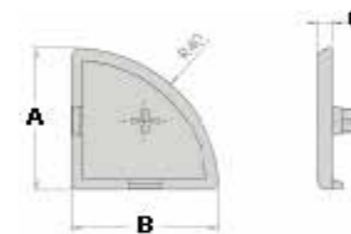
Article No.	Profile	A	B	C	D	Material	Weight (g)
PA1055	8	40	80	30°	4	PA-GF	4
PA1060	8	40	80	45°	4	PA-GF	6
PA1065	8	40	80	60°	4	PA-GF	7
PA1070	8	40	80	90°	4	PA-GF	11

Standard colour black

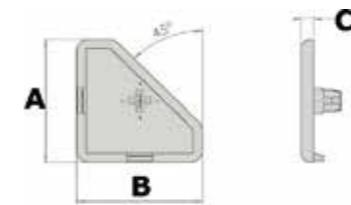
# Caps



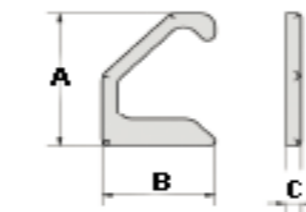
Article No.	Profile	A	B	C	Material	Color	Weight (g)
PA4060	5	5	4,3	8	PA-GF	Black	2
PA4065	5	5	4,3	8	PA-GF	Grey	2
PA3050	6	6	5,5	10	PA-GF	Black	3
PA3055	6	6	5,5	10	PA-GF	Grey	3
PA1110	8	6,25	7	13	PA-GF	Black	5
PA1115	8	6,25	7	13	PA-GF	Grey	5



Article No.	Profile	A	B	C	Material	Weight (g)
PA4050	5	20	20	2,5	PA-GF	1
PA3060	6	30	30	3	PA-GF	5
PA1075	8	40	40	4	PA-GF	3



Article No.	Profile	A	B	C	Material	Weight (g)
PA3035	6	30	30	3	PA-GF	7
PA1050	8	40	40	4	PA-GF	4



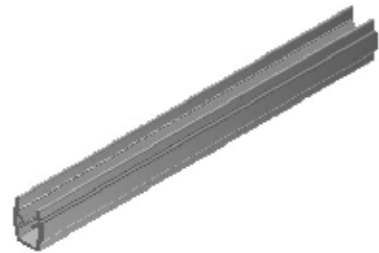
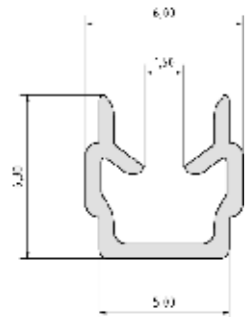
Article No.	Profile	A	B	C	Material	Weight (g)
PA1055	8	40	30	4	PA-GF	8

Standard colour black

## Cover Profile & Fastening Profile for Panels

**Cover Profile** Article No. PZ4070

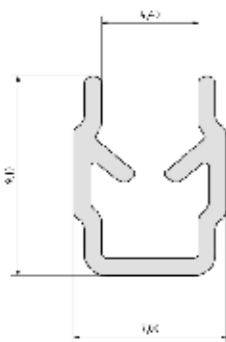
**Profile 5**



Material PP  
 Colour Black (PZ4070)  
 Natural (PZ4065)  
 Weight 26 g/pcs  
 Panel 1-3 mm  
 Length 2 m

**Cover Profile** Article No. PZ3075, PZ3076

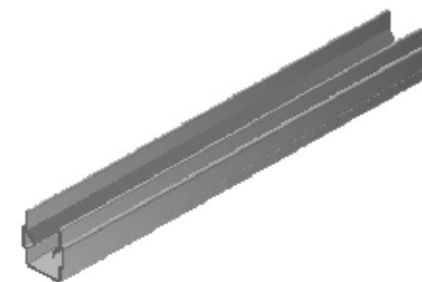
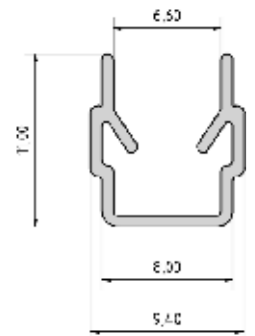
**Profile 6**



Material PP  
 Colour Black (PZ3075)  
 Natural (PZ3076)  
 Weight 42 g/pcs  
 Panel 2-3,5 mm  
 Length 2 m

**Cover Profile** Article No. PZ1275, PZ1276, PZ1277, PZ1278, PZ1279, PZ1280

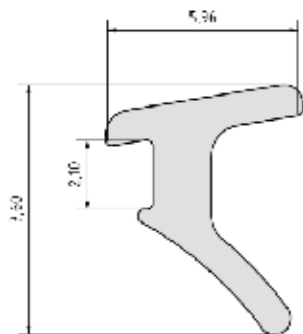
**Profile 8**



Material PP  
 Colour Natural (PZ1275)  
 Yellow (PZ1276)  
 Blue (PZ1277)  
 Red (PZ1278)  
 Grey (PZ1279)  
 Black (PZ1280)  
 Weight 52 g/pcs  
 Panel 4-6 mm  
 Length 2 m

**Sealing Strip** Article No. PZ4150

**Profile 5**

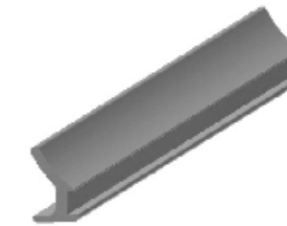
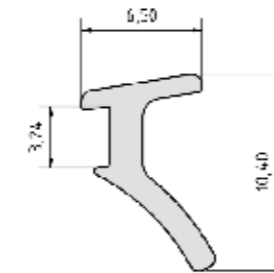


Material TPE  
 Colour Black  
 Weight 13 g/pcs  
 Panel 2-3 mm  
 Length 2 m

## Cover Profile & Fastening Profile for Panels

**Sealing Strip** Article No. PZ3240

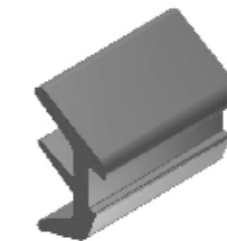
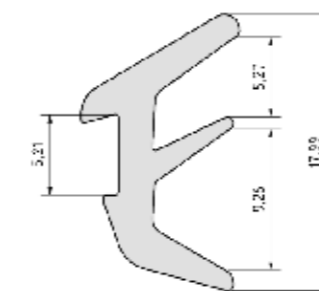
**Profile 6**



Material TPE  
 Colour Black  
 Weight 20 g/pcs  
 Panel 2-4 m

**Sealing Strip** Article No. PZ1320

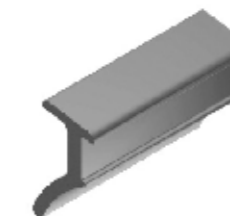
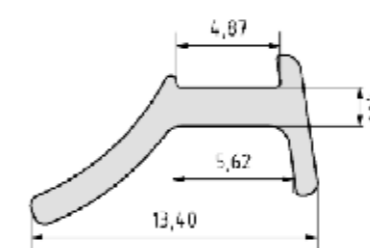
**Profile 8**



Material TPE  
 Colour Black  
 Weight 75 g/pcs  
 Panel 2-4 m

**Sealing Strip** Article No. PZ1325

**Profile 8**

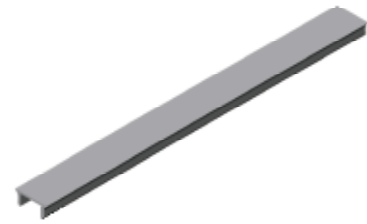
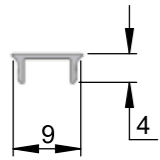


Material TPE  
 Colour Black  
 Weight 30 g/pcs  
 Panel 4-6 m

## Cover Profile & Fastening Profile for Panels

**Cover Profile AL** Article No. PP1110

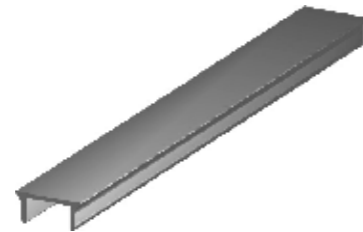
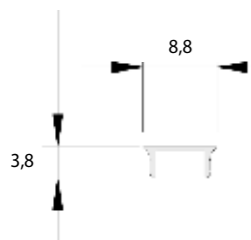
**Profile 8**



Profile area 0,1 cm<sup>2</sup>  
Weight 26 g/m

**Cover Profile** Article No. PZ1270

**Profile 8**

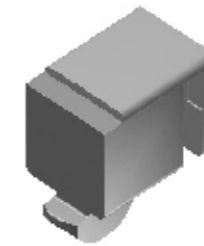
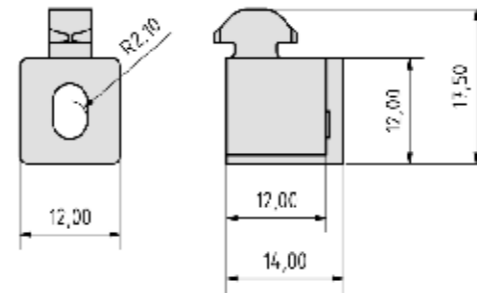


Material SB/PVC  
Colour Black  
Weight 23 g/pcs  
Panel mm  
Length 2 m

## Multiblock

**Uni block** Article No. PZ4090

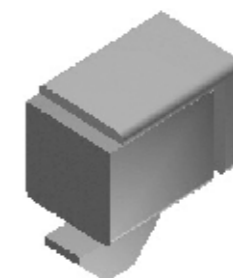
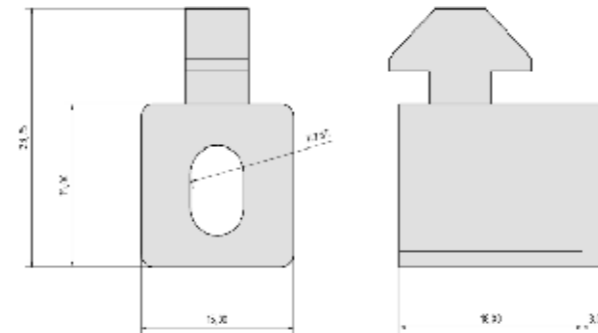
**Profile 5**



Material PA-GF  
Colour Black  
Weight 3 g

**Uni block** Article No. PZ3145

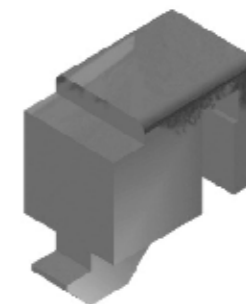
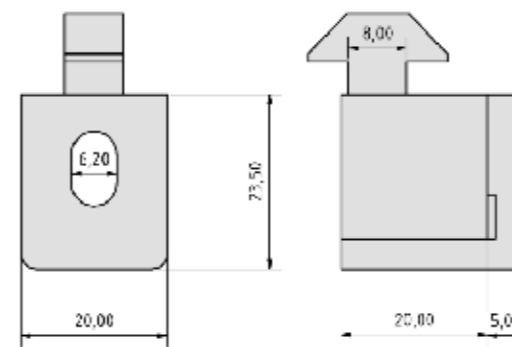
**Profile 6**



Material PA-GF  
Colour Black  
Weight 11 g

**Uni block** Article No. PZ1140

**Profile 8**

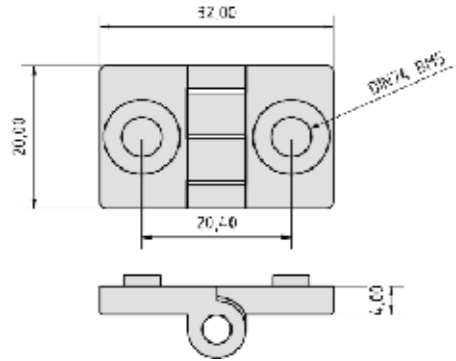


Material PA-GF  
Colour Black  
Weight 14 g

# Hinges

**Hinge PA** Article No. PZ4080

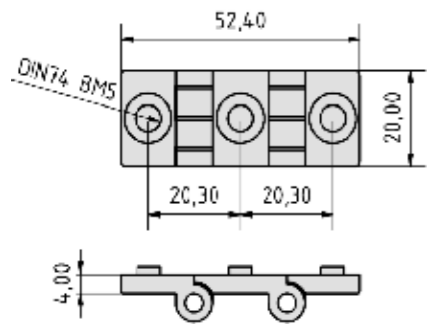
**Profile 5**



Material: PA-GF  
 Colour: Black  
 Weight: 6 g

**Hinge Double PA** Article No. PZ4085

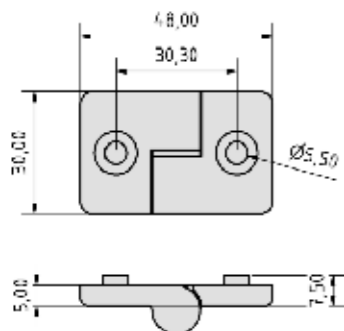
**Profile 5**



Material: PA-GF  
 Colour: Black  
 Weight: 10 g

**Hinge PA Right** Article No. PZ3100

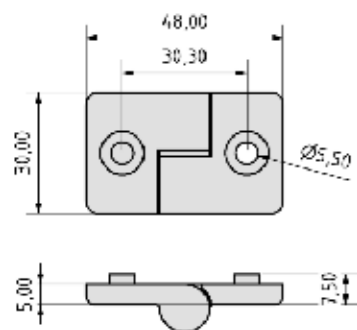
**Profile 6**



Material: PA-GF  
 Colour: Black  
 Weight: 14 g

**Hinge PA Left** Article No. PZ3105

**Profile 6**

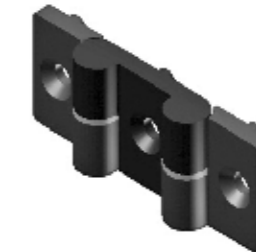
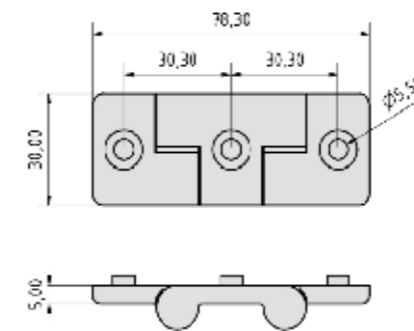


Material: PA-GF  
 Colour: Black  
 Weight: 14 g

# Hinges

**Hinge Double** Article No. PZ3110

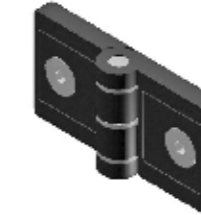
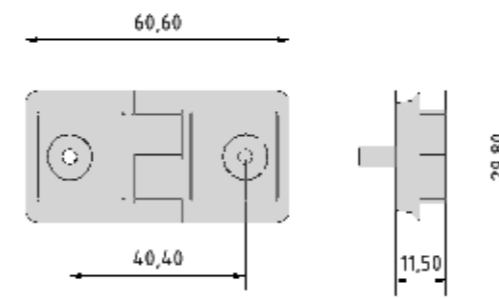
**Profile 6**



Material: PA-GF  
 Colour: Black  
 Weight: 25 g

**Hinge 30 ZN 6/8** Article No. PZ3107

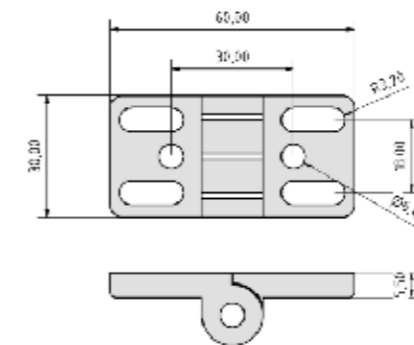
**Profile 6**



Material: ZN  
 Colour: Black  
 Weight: 62 g

**Hinge 30 ZN** Article No. PZ3230

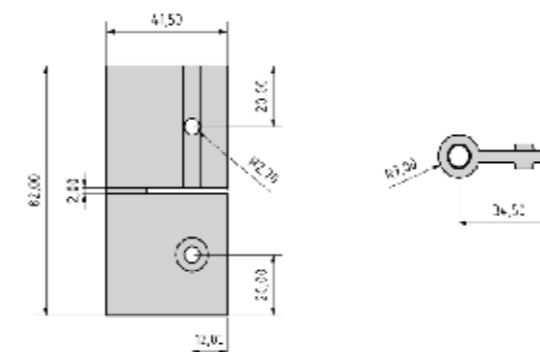
**Profile 6**



Material: ZN  
 Colour: Black  
 Weight: 69 g

**Hinge Alu PP4 Light** Article No. PZ3108

**Profile 6**



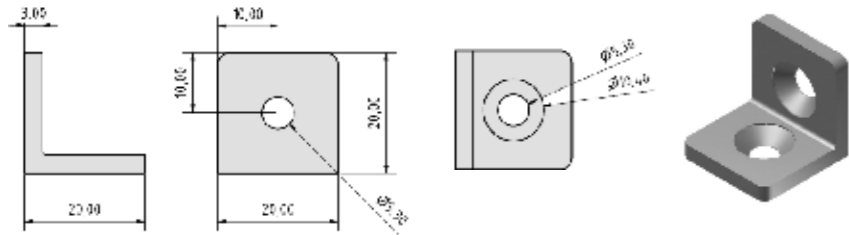
Material: Al  
 Colour: Natural  
 Weight: 86 g



# Brackets & Angle Brackets

Angle bracket 20 ST Article No. PZ4045

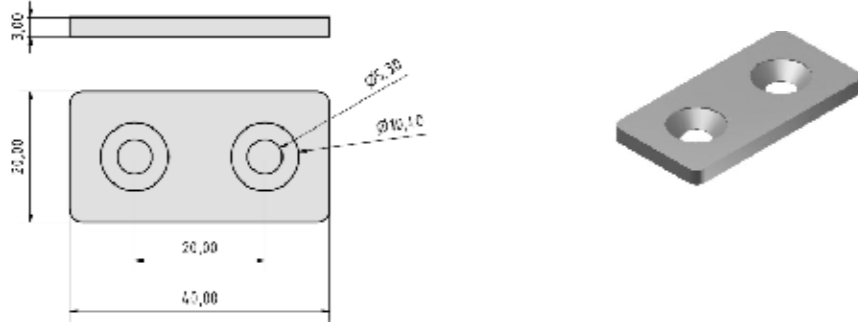
Profile 5



Material: ST  
 Colour: Black  
 Weight: 24 g

Bracket 20 ST Article No. PZ4050

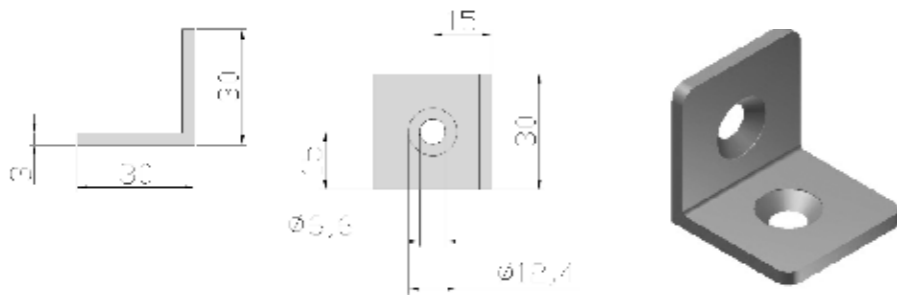
Profile 5



Material: ST  
 Colour: Black  
 Weight: 25 g

Angle bracket 30 ST Article No. PZ3050

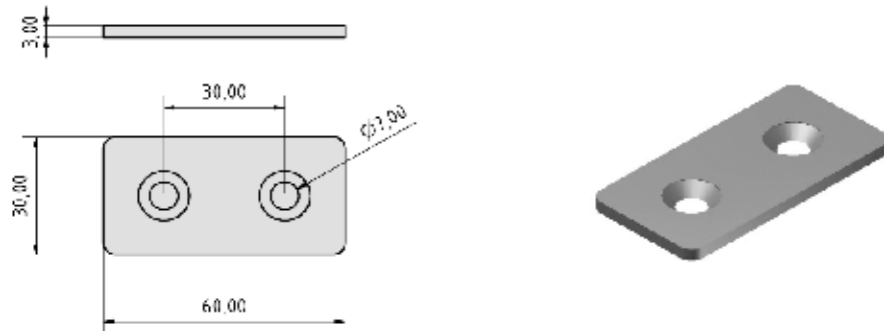
Profile 6



Material: ST  
 Colour: Black  
 Weight: 37 g

Bracket 30 ST Article No. PZ3055

Profile 6

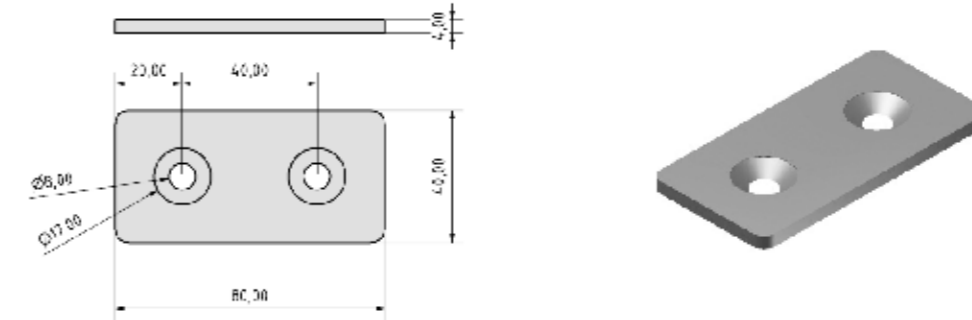


Material: ST  
 Colour: Black  
 Weight: 38 g

# Brackets, Angle Brackets & Angle Set

Bracket 40 ST Article No. PZ1120

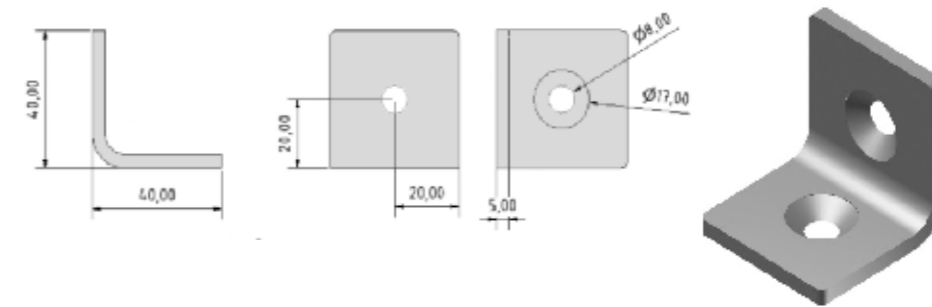
Profile 8



Material: ST  
 Colour: Black  
 Weight: 115 g

Angle bracket 40 ST Article No. PZ1125

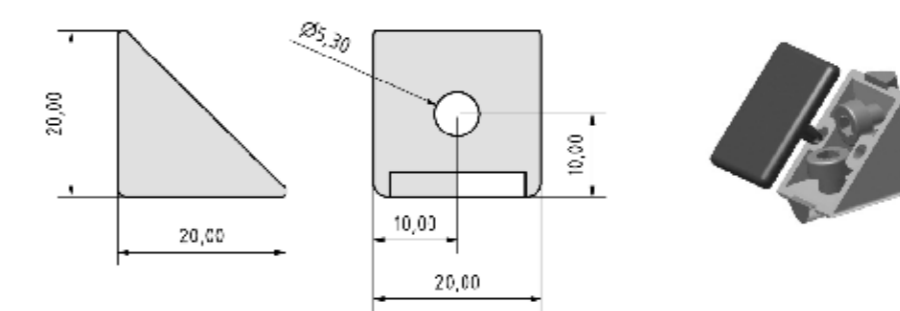
Profile 8



Material: ST  
 Colour: Black  
 Weight: 115 g

Angle set 20x20 ZN Article No. PZ4040

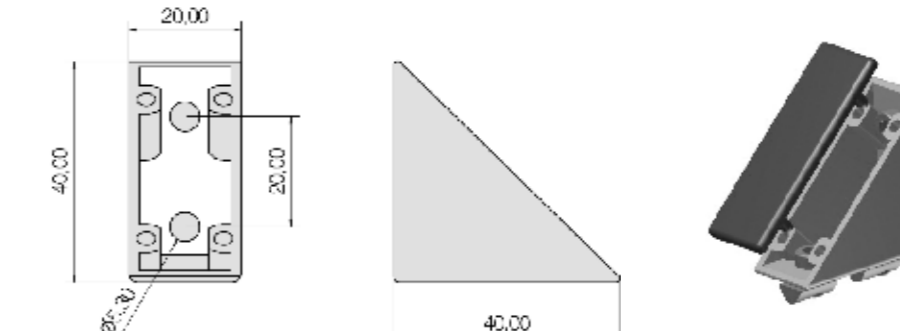
Profile 5



Material: ZN  
 Colour: Black cap PA  
 Weight: 23 g

Angle set 40x40 ZN Article No. PZ4055

Profile 5



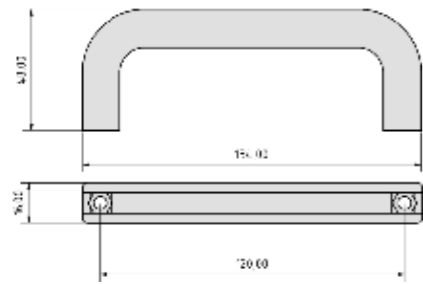
Material: ZN  
 Colour: Black cap PA  
 Weight: 58 g



## Handles, Polyamide

Handle 120 PA Article No. PZ1580

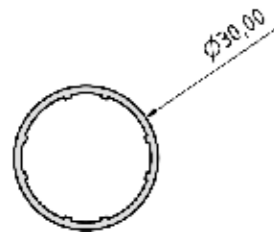
Profile 8



Material PA-GF  
Colour Black  
Weight 30 g

Tube AL 500 for handle PA Article No. PZ1582

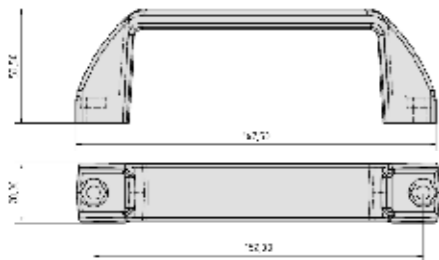
Profile 8



Material AL  
Weight 91 g  
Length 500 mm

Handle 160 E PA Article No. PZ1585

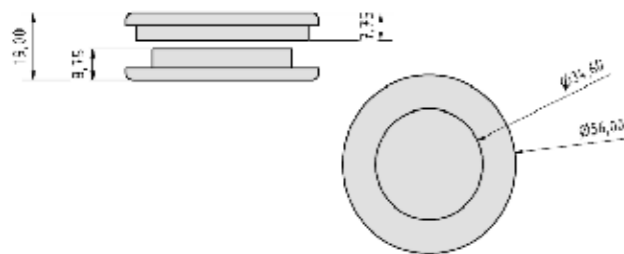
Profile 8



Material PA-GF  
Colour Black  
Weight 125 g

Handle D50 Article No. PZ1907

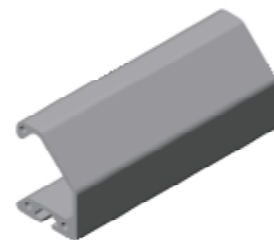
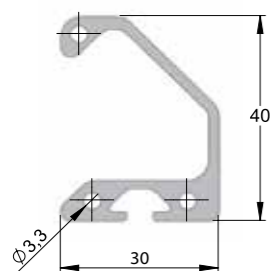
Profile 8



Material ZN  
Colour Black  
Weight 27 g

Grip rail profile Article No. PP1440

Profile 8

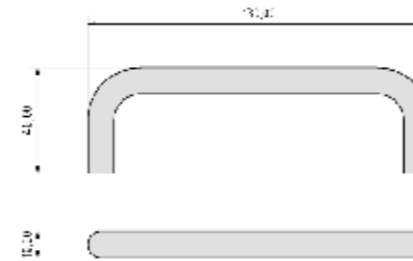


Profile area 2,80 cm<sup>2</sup>  
Weight 0,76 kg/m  
Length max 3 m

## Handles, Aluminium

Handle 120 Article No. PZ1590

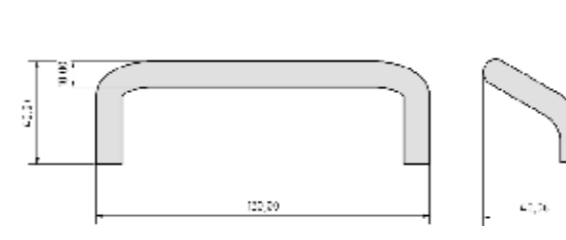
Profile 8



Material AL  
Colour Black  
Weight 37 g

Handle 120 bended Article No. PZ1595

Profile 8



Material GD-AL  
Colour Black  
Weight 9 g

Fastening set handle Article No. PZ1600

Profile 8



Material Steel  
Colour Black  
Weight 21 g

Handle 180 Alu Light Article No. PZ1605

Profile 8



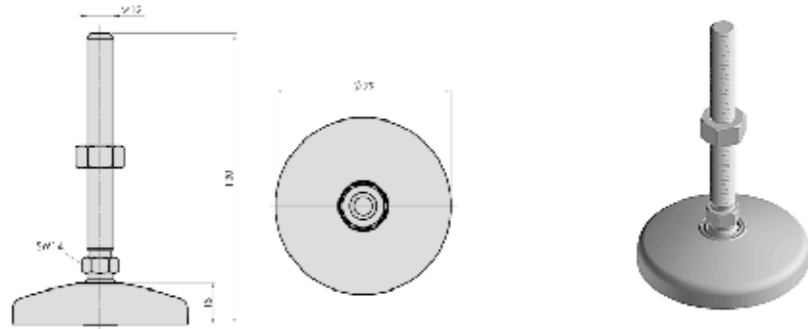
Material AL  
Colour Anodized  
Weight 87 g



## Knuckle & L-based Foot

**Knuckle foot ZN D80 M12x130** Article No. PZ1400

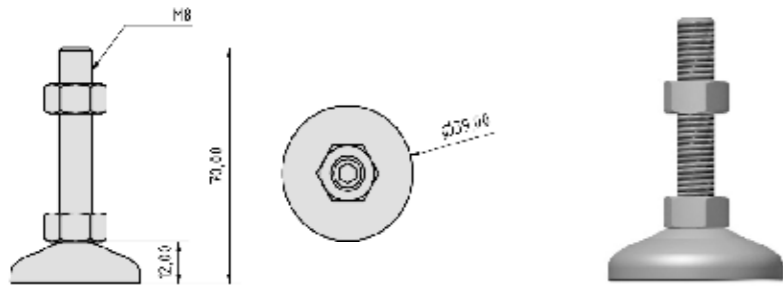
**Profile 8**



Material: ZN  
 Colour: Black  
 Weight: 346 g

**Knuckle foot Z stainless D40 M8x70** Article No. PZ6120

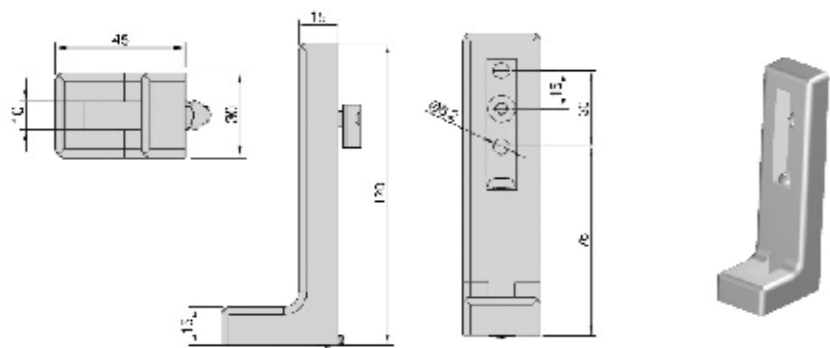
**Profile 8**



Material: ST  
 Weight: 127 g

**L-based foot adjustable** Article No. PZ3081

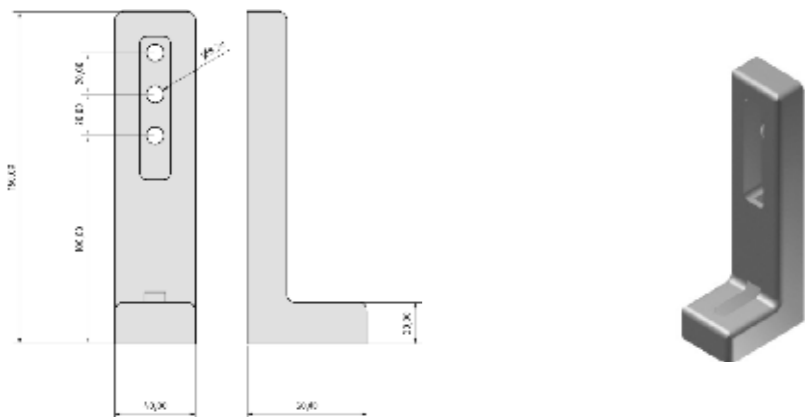
**Profile 6**



Material: GD-AL  
 Colour: Black  
 Weight: 84 g

**L-based foot adjustable** Article No. PZ1296

**Profile 8**

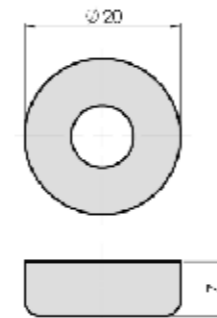


Material: GD-ZN  
 Colour: Black  
 Weight: 191 g

## Rubber Insert

**Rubber insert D30** Article No. PZ1460

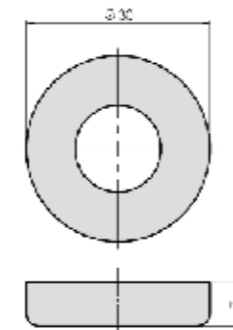
**Profile 8**



Material: NBR  
 Colour: Black  
 Weight: 2 g

**Rubber insert D40** Article No. PZ1465

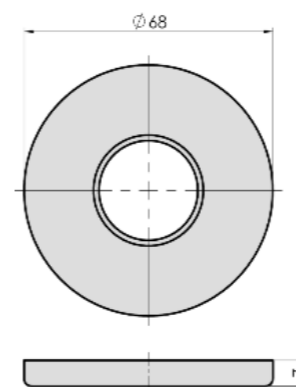
**Profile 8**



Material: NBR  
 Colour: Black  
 Weight: 4 g

**Rubber insert D80** Article No. PZ1475

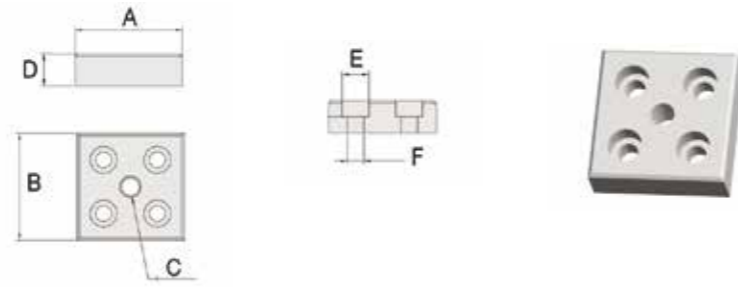
**Profile 8**



Material: NBR  
 Colour: Black  
 Weight: 23 g

## Foot Plates

Material Die-cast zinc  
Colour Black



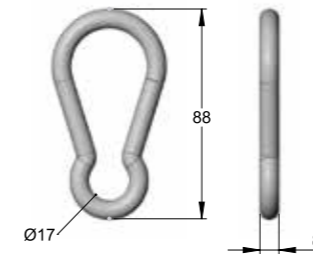
Article No.	System	A	B	C(Ø)	D	E(Ø)	F(Ø)	Weight (g)
PZ3010	6	30	60	M8	12	11	7	103
PZ3030	6	60	60	M8	12	11	7	194
PZ1010	8	40	80	M8	16	15	9	213
PZ1020	8	40	80	M12	16	15	9	209
PZ1030	8	80	40	M8	16	15	9	213
PZ1040	8	80	40	M12	16	15	9	209
PZ1050	8	80	80	M8	16	15	9	438
PZ1060	8	80	80	M12	16	15	9	433
PZ1070	8	80	80	M12	16	15	9	438
PZ1080	8	80	80	M12	16	15	9	433

Other threads on request

## Accessories

**Carabiner** Article No. PZ1245

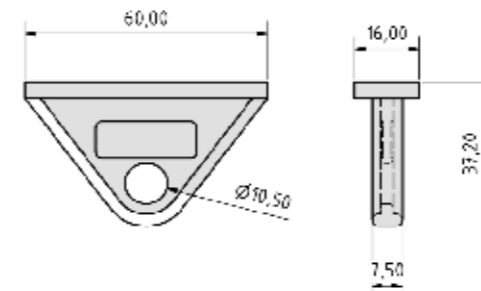
**Profile 8**



Material ST  
Colour Grey  
Weight 27 g

**Runner for carabiner** Article No. PZ1250

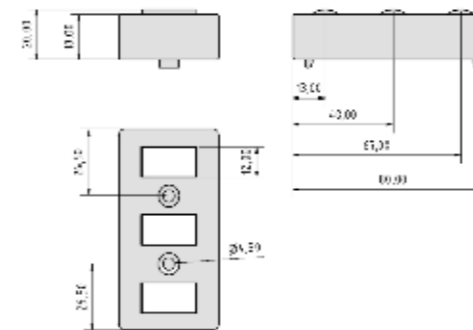
**Profile 8**



Material PA-GF  
Colour Black  
Weight 10 g

**Roller element 80** Article No. PZ1955

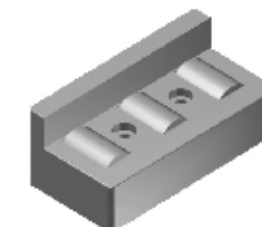
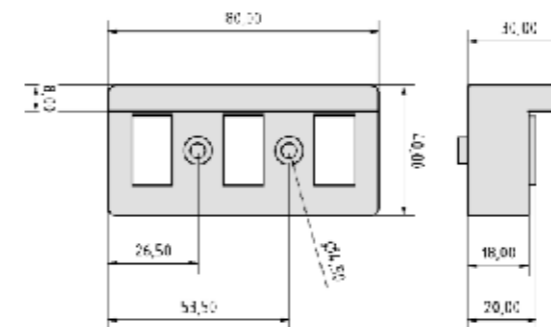
**Profile 8**



Material PA-GF  
Colour Black  
Weight 45 g

**Roller element with side** Article No. PZ1960

**Profile 8**



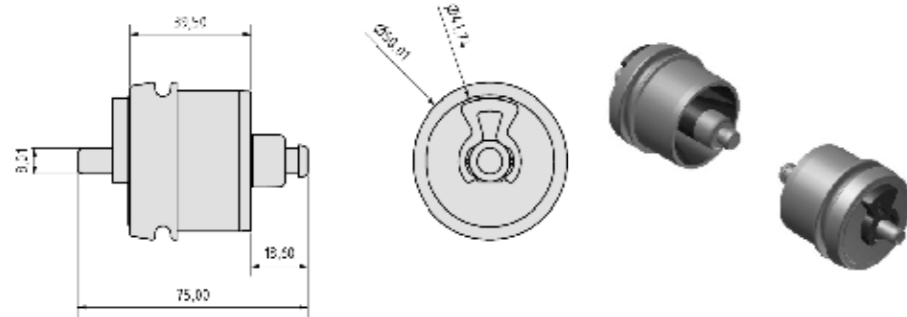
Material PA-GF  
Colour Black  
Weight 50 g

## Accessories

**Conveyor roller TR50** Article No. PZ1975

**Profile 8**

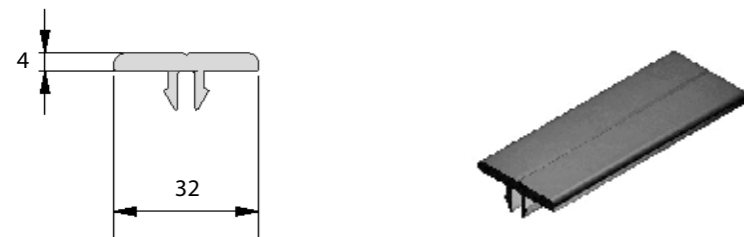
Material PA-GF  
Colour Black  
Weight 250 g



**Slide strip** Article No. PZ1265

**Profile 8**

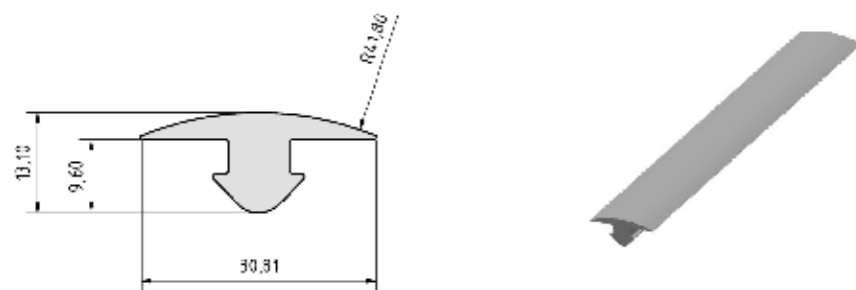
Material PP  
Colour Black  
Weight 140 g/m  
Length 2 m



**Rubber cover** Article No. PZ1260

**Profile 8**

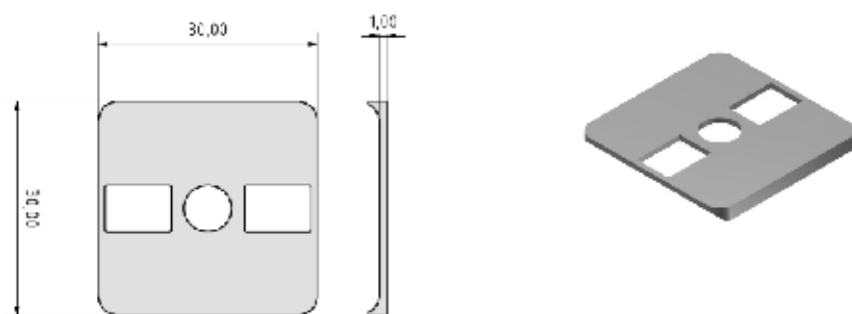
Material NBR  
Colour Black  
Weight 160 g/m  
Length 2 m



**Radius seal 30x30** Article No. PZ3250

**Profile 6**

Material PA  
Colour Grey  
Weight 1,1 g

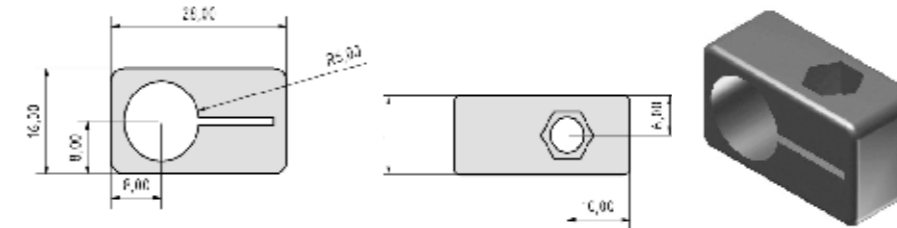


## Sensor & Cable Holders

**Sensor holder D12** Article No. PZ1230

**Profile 8**

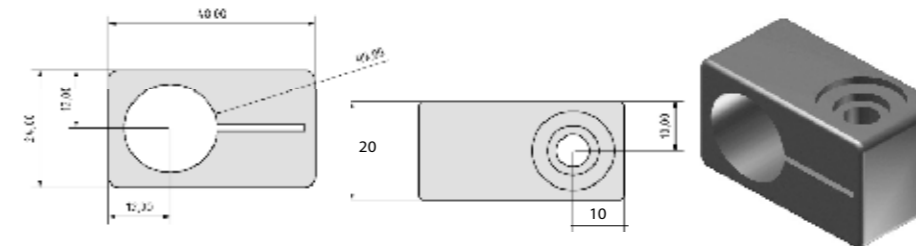
Material PA-GF  
Colour Black  
Weight 6 g



**Sensor holder D20** Article No. PZ1231

**Profile 8**

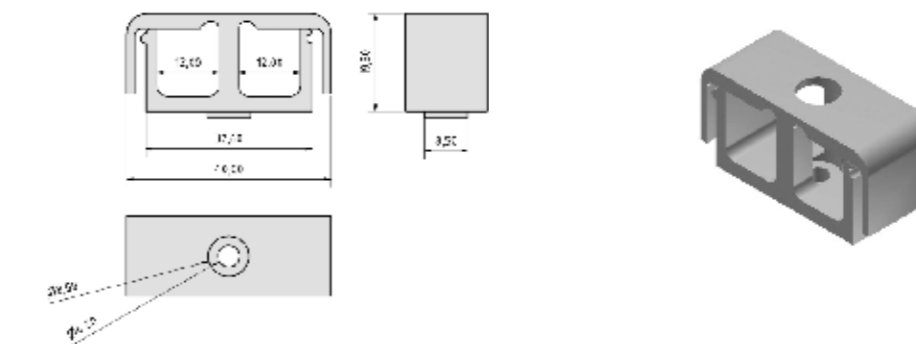
Material PA-GF  
Colour Black  
Weight 22 g



**Cable holder** Article No. PZ1185

**Profile 8**

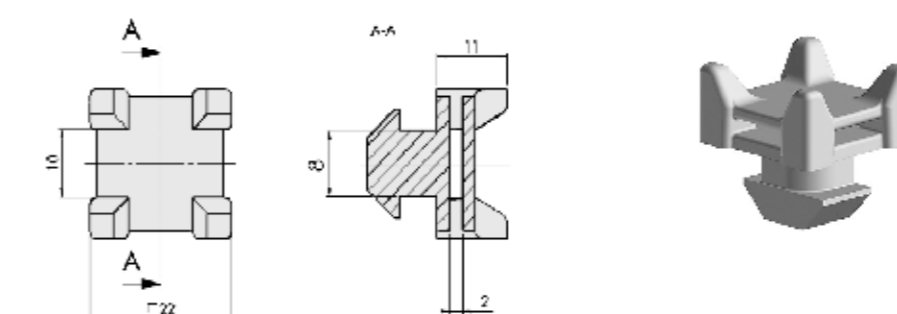
Material PA-GF  
Colour Black  
Weight 10 g



**Strips holder variable PA** Article No. PZ1210

**Profile 8**

Material PA-GF  
Colour Black  
Weight 4 g



# Castors

**Castor** Article No. 5940



Material	PA
Colour	White/Black
Wheel diameter	100 mm
Dyn load capacity	100 kg
Height	119 mm
Weight	629 g

**Castor brake** Article No. 5947



Material	PA
Colour	White/Black
Colour pedal	Red, green
Wheel diameter	100 mm
Dyn load capacity	100 kg
Height	119 mm
Weight	750 g

**Castor** Article No. 5940



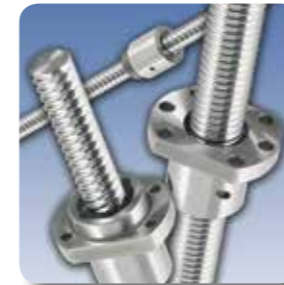
Material	PA
Colour	White/Black
Wheel diameter	75 mm
Dyn load capacity	90 kg
Height	78 mm
Weight	216 g

**Castor brake** Article No. 5945



Material	PA
Colour	White/Black
Colour pedal	Red, green
Wheel diameter	75 mm
Dyn load capacity	90 kg
Height	78 mm
Weight	237 g

# Linear Components & Solutions



**BALL SCREWS**  
High efficiency ball screws and nuts.



**LINEAR UNIT QME**  
Complete linear drive unit with ball bushings and ball screws.



**LINEAR UNIT RHL**  
Complete unit with tooth belt.



**LINEAR UNITS**  
Complete unit with ball screw or tooth belt.



**ALUMINIUM PROFILES**  
A full program of aluminium profiles and accessories.



**BELT CONVEYOR**  
Transportation system with different drive options



**U-RAIL**  
Rollers in steel or polyamide. For light, standard or heavy load. Mounted in U-rails.



**COMPACT RAIL**  
No more problems with parallelism. Low noise. Lifetime lubricated bearings.



**C-RAIL**  
A simple and cost effective linear bearing system.



**LINEAR RAIL SYSTEM**  
The most standardized linear rail system.



**MINIATURE**  
Range from 3 mm up to 15 mm.



**EASY RAIL**  
A strong solution for short strokes.



**ROLLER GUIDES**  
Four raceways with rollers. High load capacity.



**HEAVY TELESCOPIC**  
The strongest solution for extraction.



**LIGHT TELESCOPIC**  
Telescopic systems for smooth movement.



**BALL BEARINGS**  
Linear ball bearings and hardened steel shafts.

Every care has been taken to ensure accuracy of the informations in this catalogue. No liability can be accepted for any errors or omissions. Even partial reproduction allowed only by written permission by Rollco.

**Rollco AB**  
Box 22234  
Ekvändan 3  
250 24 Helsingborg  
Sweden  
Tel. +46 42 150040  
Fax +46 42 150045  
[www.rollco.se](http://www.rollco.se)

**Rollco A/S**  
Ladegårdsvej 2  
7100 Vejle  
Denmark  
Tel. +45 7552 2666  
Fax +45 7552 0708  
[www.rollco.dk](http://www.rollco.dk)

**Rollco OY**  
Kuohuntie 2  
36200 Kangasala  
Finland  
Tel. +358 207 57 97 90  
Fax +358 207 57 97 99  
[www.rollco.fi](http://www.rollco.fi)

**Rollco Norge AS**  
Bergliveien 2  
3427 Gullaug  
Norway  
Tel. +47 32 84 00 34  
Fax +47 32 84 00 91  
[www.rollco.no](http://www.rollco.no)

**Rollco Taiwan**  
No. 28, Lane 125, Da-an Road  
Shulin District 238  
New Taipei City, Taiwan  
Tel. +886-2-8687-2726  
Fax +886-2-8687-2720  
[www.rollco-tw.com](http://www.rollco-tw.com)



**ROLLCO**  
SPECIALIZED  
ON LINEAR MOTION