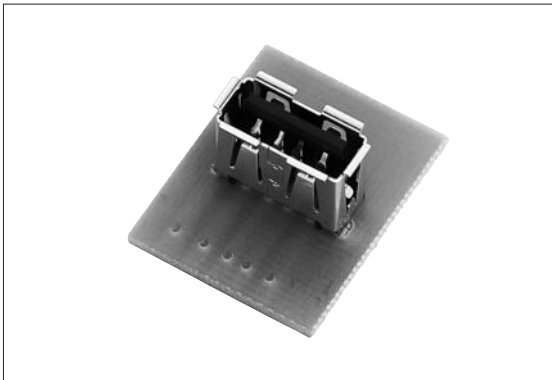
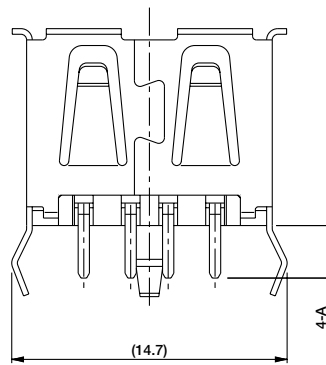
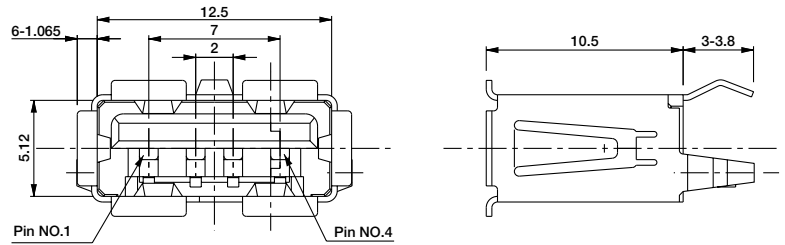


USB Socket A Type (Vertical Low Profile Type)



● CSS5004-1F□□F



□□	A
01	2.8
04	3.8

■ Features

1. Low profile of 10.5mm height when mounted.
2. Four pins design, 2 each for power and signal.
3. Officially qualified for USB2.0 High speed certification.
4. PCB snap-fit designed.

■ Specification

1. Rating : 1A, 30V AC
2. Contact Resistance : 30mΩ max.
3. Insertion Force : 35N max.
4. Withdrawal Force : 10N min.

■ Material and Plating

- Housing : Thermoplastic Resin, Black, 94V-0
- Contact : Cu Alloy, Selective Au Plating
- Shield Case : Cu Alloy, Sn Plating

■ P.C. Board Dimension(t=1.6)

