

# 0,50mm MICRO HEADER BTH SERIES

## SPECIFICATIONS

For complete specifications see [www.samtec.com?BTH](http://www.samtec.com?BTH)

**Insulator Material:**

Liquid Crystal Polymer



**Terminal Material:**

Phosphor Bronze

**Current Rating:**

1.25A @ 80°C ambient & 5mm Stack Height

**Operating Temp Range:**

-65°C to +125°C

**Voltage Rating:**

125 VAC mated with BSH & 5mm Stack Height

**Plating:**

Au over 50µ" (1,27µm) Ni

**Note:** Some lengths, styles and options are non-standard, non-returnable.

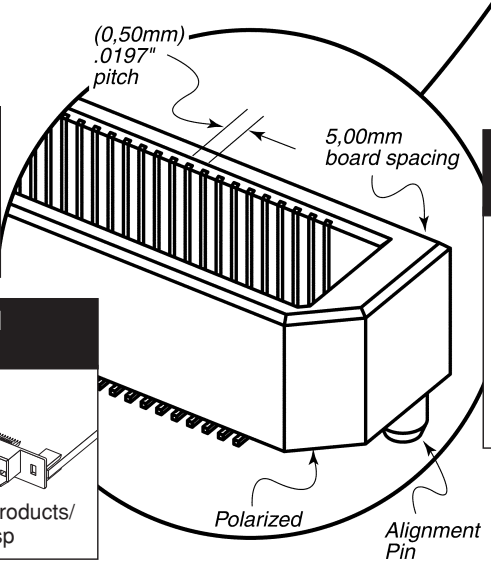
Mates with:  
BSH

**APPLICATION SPECIFIC OPTION**

30µ" (0,76µm) Gold available. Call Samtec.

**APPLICATION SPECIFIC**

Edge Mount header capability. Contact Samtec Interconnect Processing Group. [www.samtec.com/standard\\_products/processing\\_information/ipg.asp](http://www.samtec.com/standard_products/processing_information/ipg.asp)



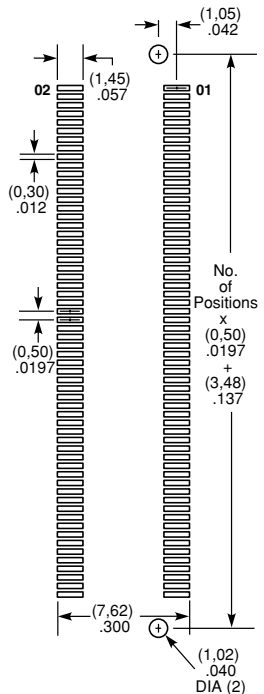
**STACK HEIGHT CAPABILITY**

LEAD STYLE	STANDARD MATED HEIGHT
-01	(5,00) .197

8mm, 11mm, 16mm, 19mm and 22mm Stack Height Capability. Call Samtec for availability.

## Processing:

**Max Processing Temp:** 230°C for 60 seconds  
**SMT Lead Coplanarity:** (0,10mm), .004" max (030-090) (0,15mm), .006" max (120-150)  
**Suggested PCB Layouts:** For reference only. Please contact Samtec or go to [www.samtec.com?BTH](http://www.samtec.com?BTH) for recommended PCB layout.

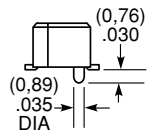
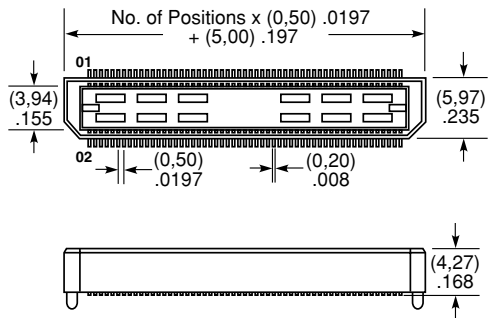


**BTH** - **NO. OF POSITIONS PER ROW** - **01** - **PLATING OPTION** - **D** - **A** - **OTHER OPTION**

**-030, -050, -060, -090, -120, -150**

**-F** = Gold Flash  
**-L** = 10µ" (0,25µm) Gold

**-K** = (7,00mm) .276" DIA Polyimide Film Pick & Place Pad  
**-TR** = Tape and Reel (120 positions maximum)



Due to technical progress, all designs, specifications and components are subject to change without notice.

[WWW.SAMTEC.COM](http://WWW.SAMTEC.COM)