

# .025" S<sup>2</sup> SMT SOCKET SSW SERIES

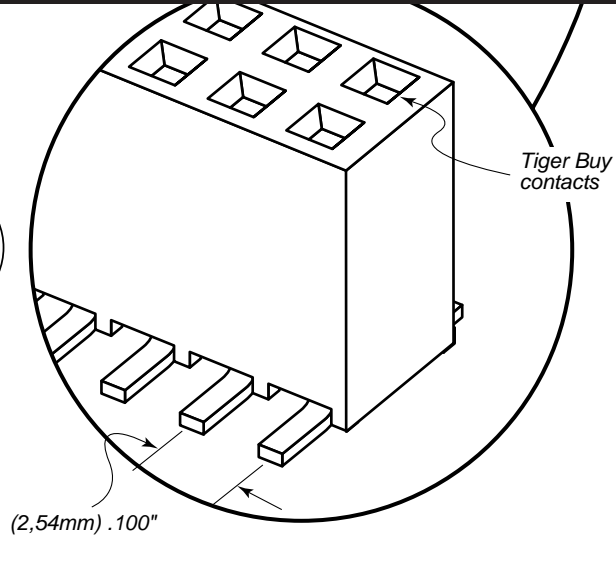
## SPECIFICATIONS

For complete specifications see [www.samtec.com?SSW](http://www.samtec.com?SSW)

- Insulator Material:** Black LCP
- Contact Material:** Phosphor Bronze
- Current Rating:** 3A continuous
- Operating Temp Range:** -65°C to +125°C with Gold  
-65°C to +105°C with Tin
- Plating:** Au or Sn over 50µ" (1,27µm) Ni
- Contact Resistance:** 10 mΩ max
- Insertion Depth:** (3,68mm) .145" to (6,35mm) .250"
- Insertion Force:** 3oz (0,83N) avg
- Withdrawal Force:** 2.6oz (0,72N) avg
- Max Cycles:** 100 with 10µ" (0,25µm) Au



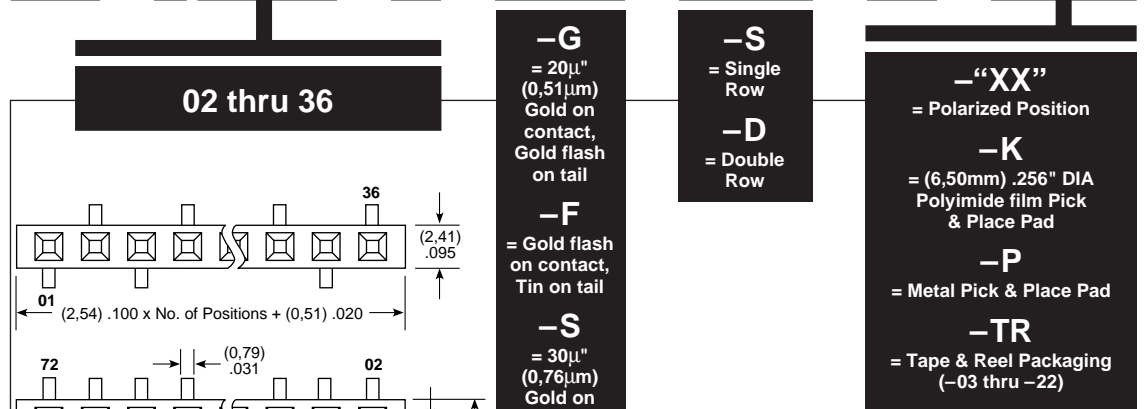
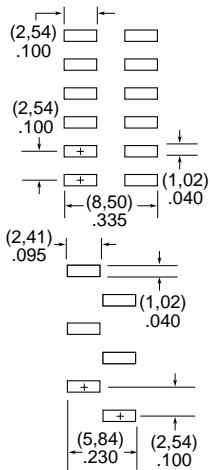
**Mates With:**  
TSW, MTSW, MTLW,  
EW, ZW, TSS,  
ZSS, TSM, TSSH



**Note:** Some lengths, styles and options are non-standard, non-returnable.

## Processing:

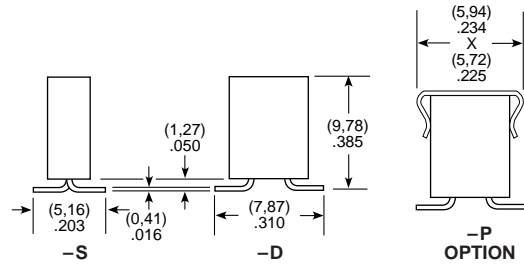
- Max Processing Temp:** 230°C for 60 seconds
- SMT Lead Coplanarity:** (0,10mm) .004" max
- Suggested Paste Thickness:** For most applications add (0,05mm) .002" to max SMT lead coplanarity
- Suggested PCB Layouts:** For reference only. Please contact Samtec or go to [www.samtec.com?SSW](http://www.samtec.com?SSW) for recommended PCB layout.



**TAPE & REEL AVAILABILITY**

No tooling charges.  
125 piece minimum order.  
Order any quantity above minimum.  
In-house design, manufacture.  
Quick turn-around.

Call Samtec for specifications and ordering information.



*Due to technical progress, all designs, specifications and components are subject to change without notice.*

**WWW.SAMTEC.COM**