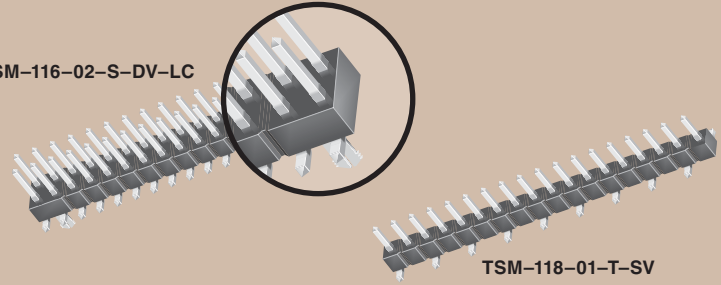


TSM-116-02-S-DV-LC



TSM-118-01-T-SV

(2,54 mm) .100"

TSM SERIES

# SMT .025" SQ POST HEADER

**Mates with:**

SSW, SSQ, SSM, BSW, ESW, ESQ, BCS, SLW, CES, HLE, IDSS, IDSD, SMSD, SMSS

**SPECIFICATIONS**

For complete specifications and recommended PCB layouts see [www.samtec.com?TSM](http://www.samtec.com?TSM)

**Insulator Material:**

Black Liquid Crystal Polymer  
Phosphor Bronze  
**Plating:**

Au or Sn over 50µ" (1,27 µm) Ni

**Operating Temp Range:**

-55°C to +105°C with Tin;

-55°C to +125°C with Gold

**Voltage Rating:**

475 VAC -SV/-DV mated with BCS or SSM

**RoHS Compliant:**

Yes

**Lead-Free Solderable:**

Yes

**-DH/-SH Lead Coplanarity:**

(0,15 mm) .006" max (02-36)

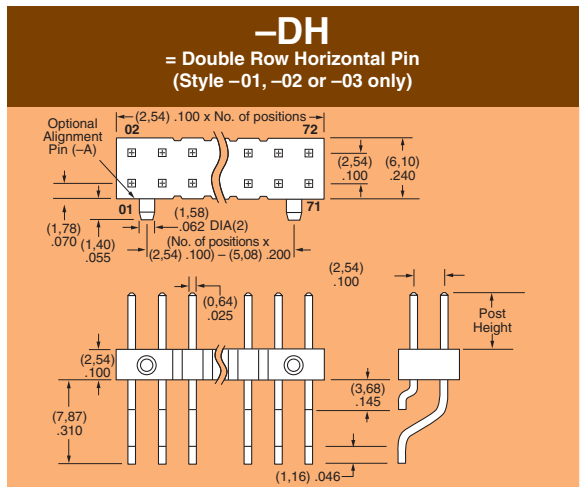
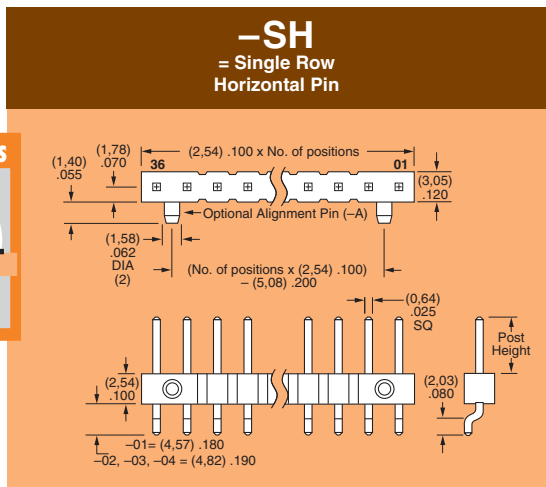
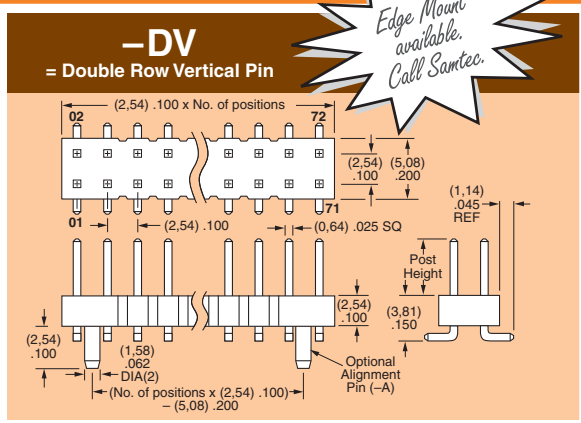
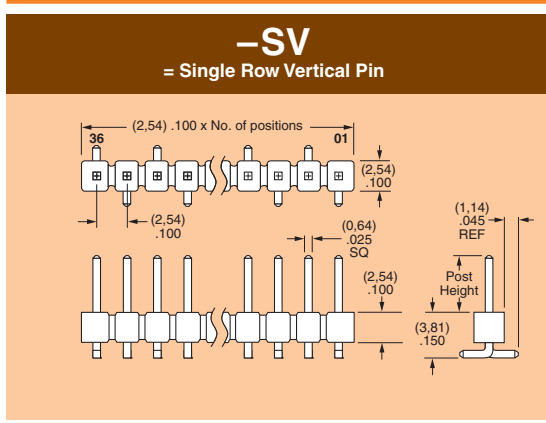
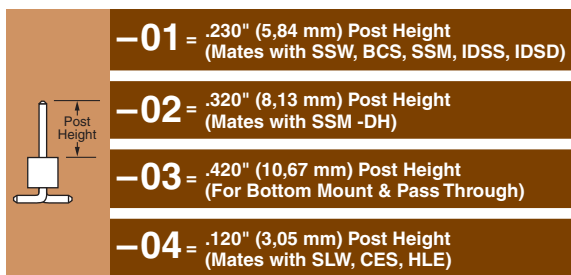
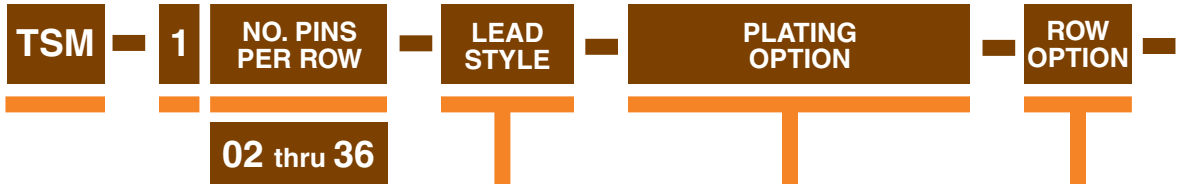
**-DV/-SV Lead Coplanarity:**

(0,10 mm) .004" max (02-05)

(0,13 mm) .005" max (06-10)

(0,15 mm) .006" max (11-36)

AMBIENT TEMP	CURRENT RATING (PER CONTACT)
20°C	7A
40°C	6A
60°C	4A
80°C	3A



**APPLICATIONS**

SSM TSM

HORIZONTAL

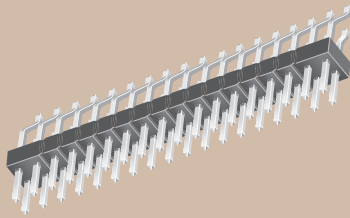
**Note:** Other Gold plating options available. Contact Samtec.

**Note:** Some lengths, styles and options are non-standard, non-returnable.

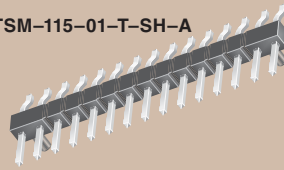
*Due to technical progress, all designs, specifications and components are subject to change without notice.*

[WWW.SAMTEC.COM](http://WWW.SAMTEC.COM)

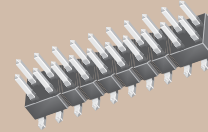
TSM-118-01-L-DH



TSM-115-01-T-SH-A



TSM-110-01-T-DV



## OTHER OPTIONS

### -A

= Alignment Pin metal or plastic at Samtec discretion (Not available with -TM or -MT) (02 positions min.) (N/A with -LC)

### -LC

= Locking Clip (N/A with -TM) (3 positions min.) (N/A with -A) (Manual placement required)

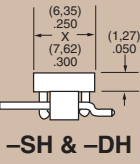
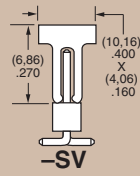
### -K

= (6,50 mm) .256" DIA Polyimide Film Pick & Place Pad (-SH: 4 positions minimum without -TR; 2 & 3 positions available with -TR) (-DH: 4 positions minimum without -TR)

- "XXX" = Polarized Position

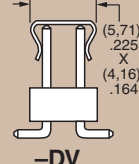
### -P

= Plastic Pick & Place Pad (-DV: 4 positions minimum without -TR; 2 & 3 positions available with -TR) (-SH: 4 positions minimum without -TR; 2 & 3 positions available with -TR) (-DH: 5 positions minimum without -TR) (-SV: 4 positions minimum without -TR; 2 & 3 positions available with -TR)



### -M

= Metal Pick & Place Pad (4 positions minimum without -TR) (2 & 3 positions available with -TR) Styles -01 & -04 only (N/A with -T plating)



### -TR

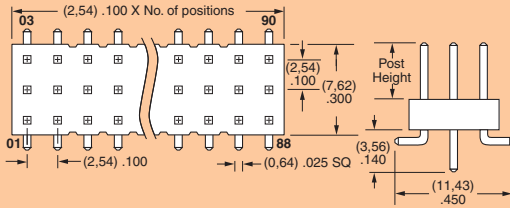
= Tape & Reel Packaging -SV = 02-22 positions -DV = 02-28 positions -SH = 02-30 positions -DH = 02-29 positions N/A with -MT or -TM



### -TM

= Triple Row Vertical Mixed Technology (Style -01 only)

02 thru 30 positions only

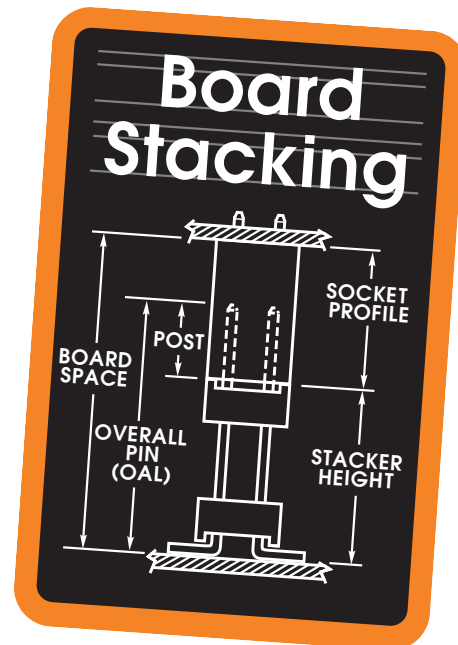
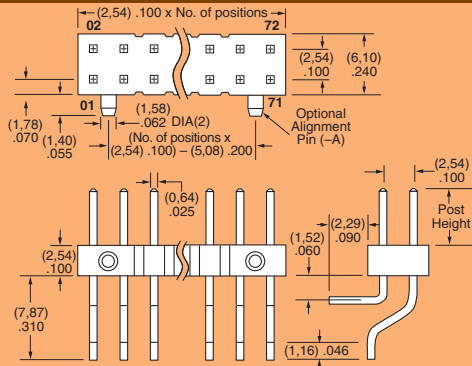


## APPLICATION SPECIFIC OPTIONS

Edge Mount and Locking Clips for -SV, Solder Locks for -DH and Shrouds for -DV. Call Samtec.

### -MT

= Mixed Technology Pin (Style -01, -02 or -03 only)



Due to technical progress, all designs, specifications and components are subject to change without notice.

[WWW.SAMTEC.COM](http://WWW.SAMTEC.COM)