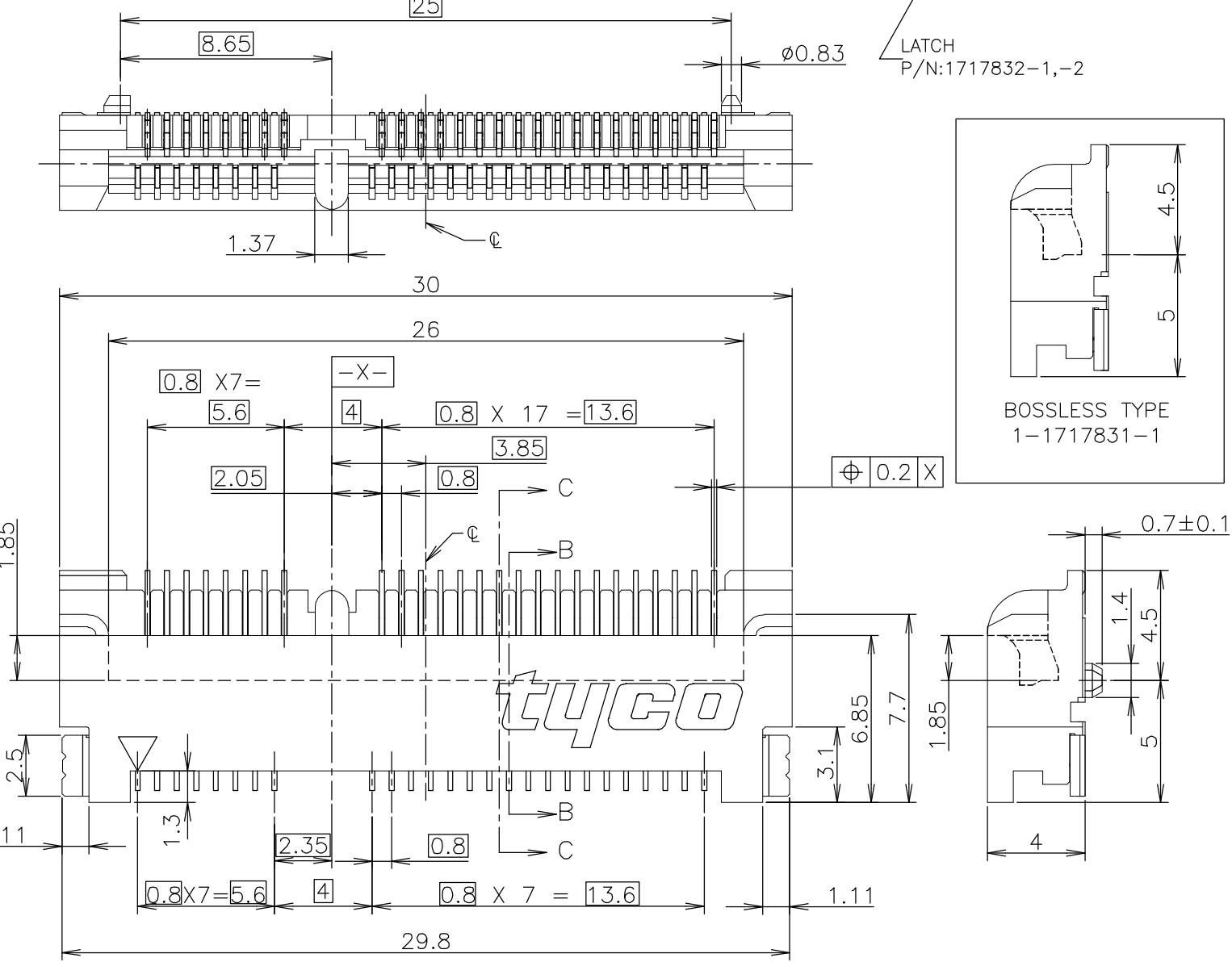
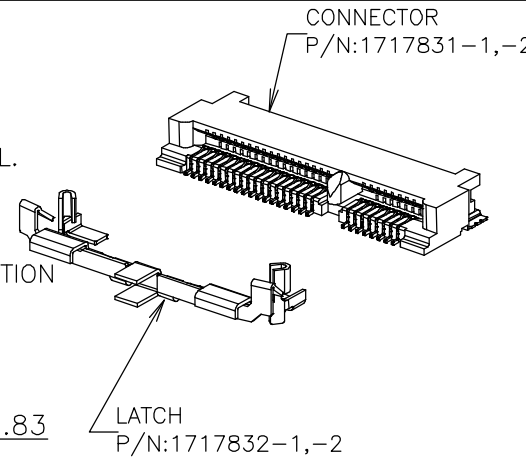
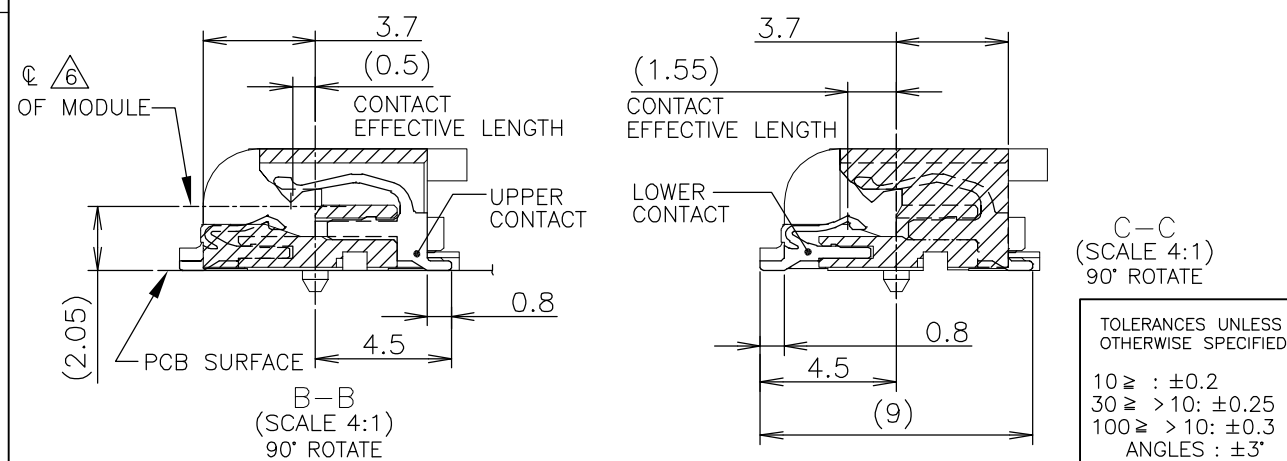
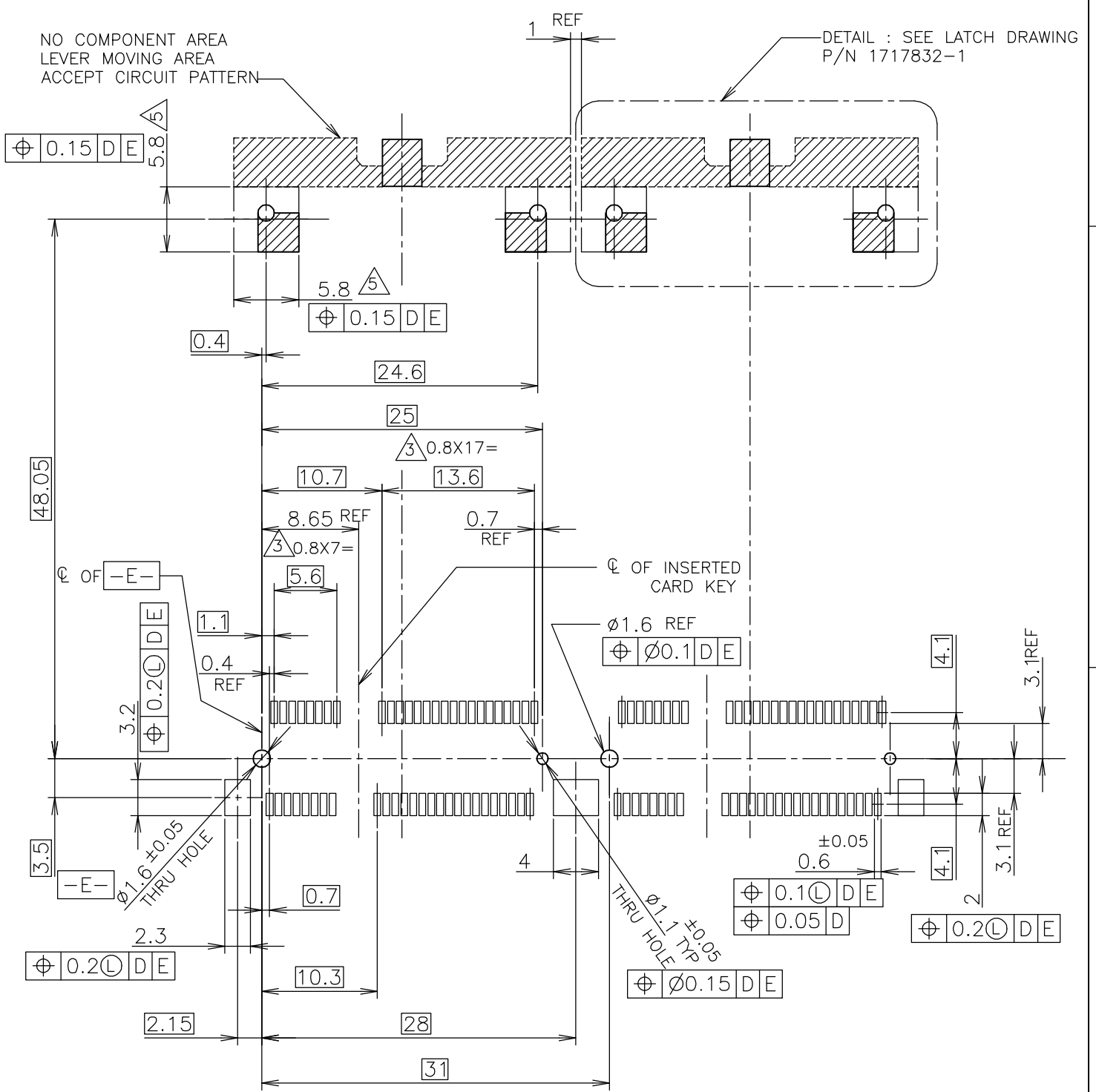


THIS DRAWING IS UNPUBLISHED. RELEASED FOR PUBLICATION OCT. 2003.
 © COPYRIGHT 2003 BY TYCO ELECTRONICS CORPORATION. ALL RIGHTS RESERVED.

- NOTE
- MATERIAL : HOUSING : HIGH TEMPERATURE THERMO PLASTIC UL94V-0
 COLOR: BLACK
 CONTACT : COPPER ALLOY
 SOLDER PEG : COPPER ALLOY
 - FINISH : CONTACT : GOLD FLASH ON CONTACT AREA, ALL OVER NICKEL.
 SOLDER PEG : TIN PLATE, ALL OVER NICKEL
- ③ TOLERANCES NON-CUMMURATIVE
 ④ -D- IS THE TOP SURFACE OF PCB.
 ⑤ COMPONENT KEEP OUT AREA BASED ON MINI PCI EXPRESS SPECIFICATION
 1.0 CANDIDATE DRAFT (v1)
 ⑥ THE FLOATING VALUE BY SOLDERING IS NOT INCLUDED.



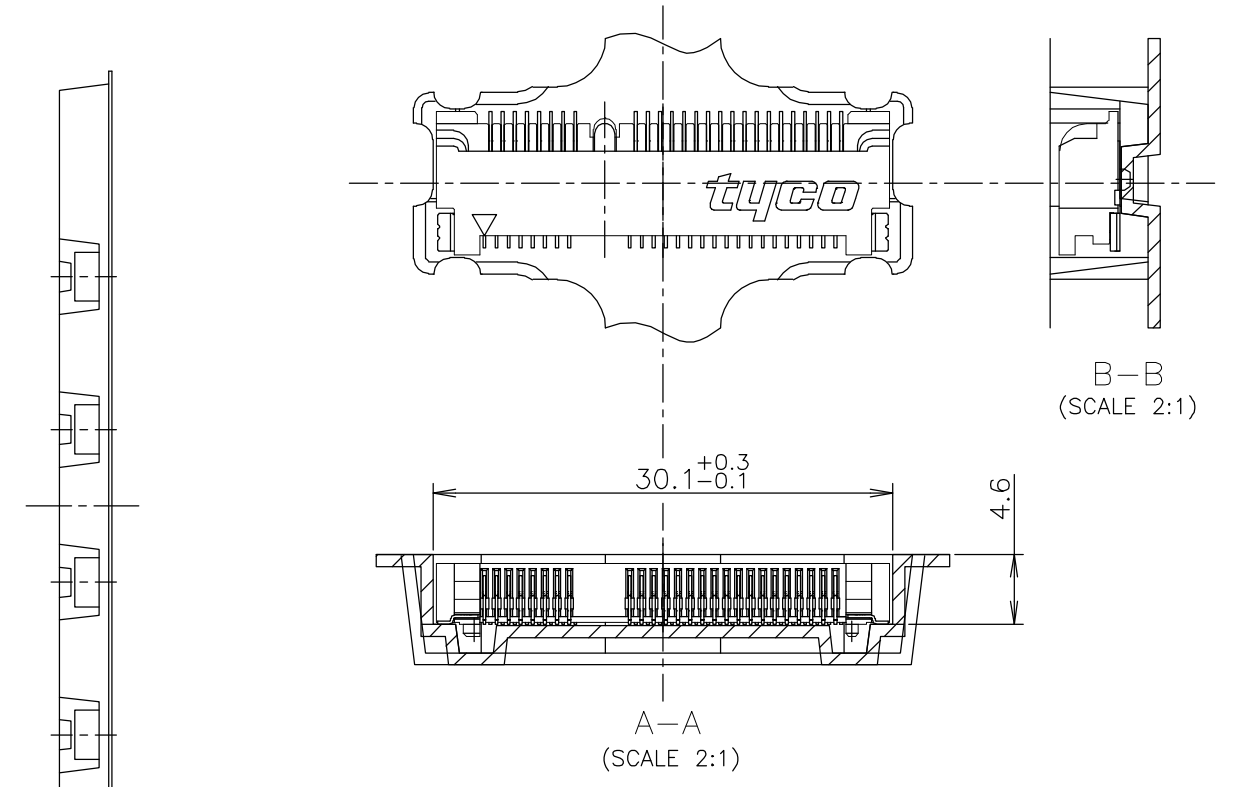
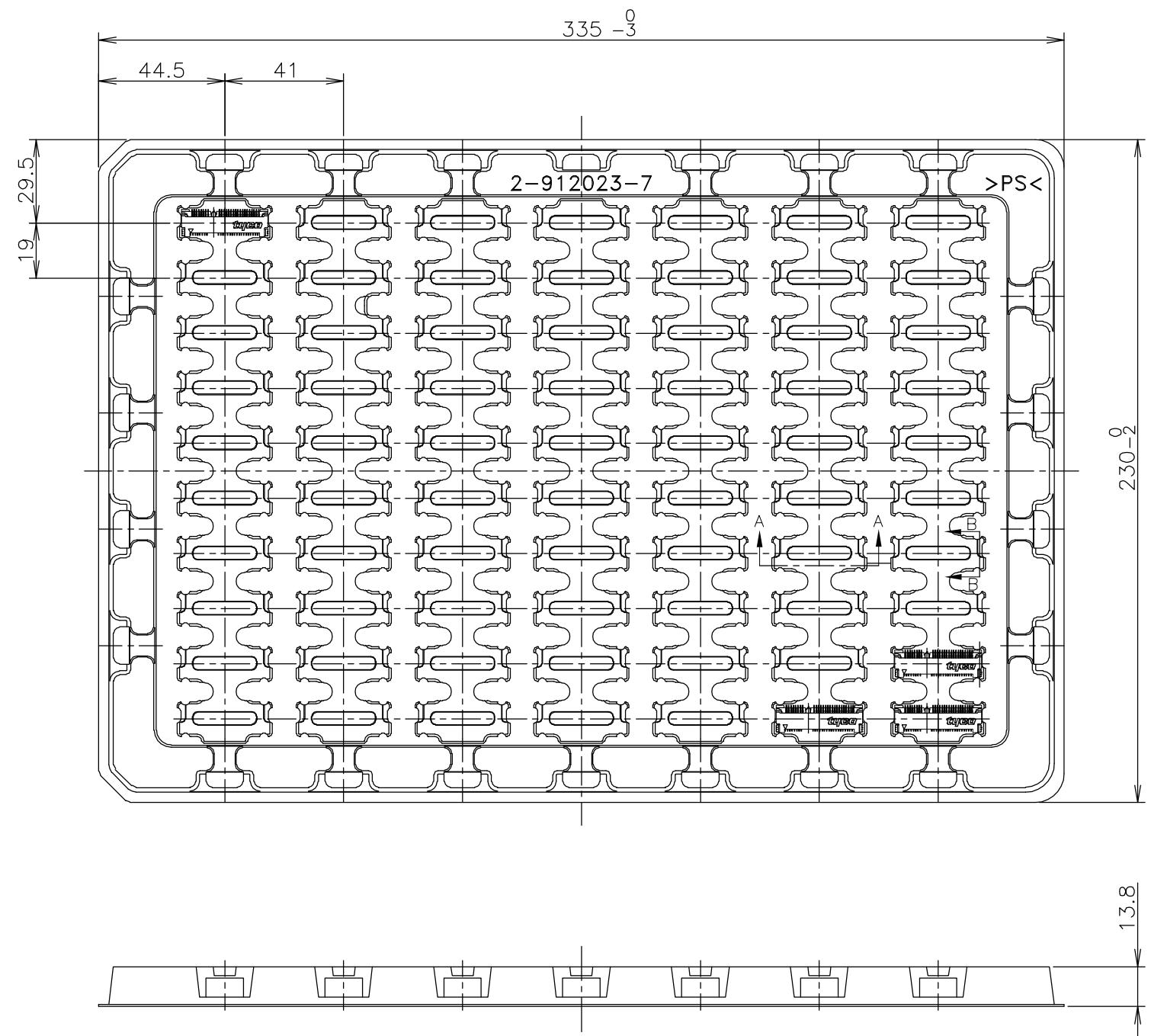
LOC		DIST		REVISIONS		
P	LTR	DESCRIPTION	DATE	DWN	APVD	
	C	REVISED (ECR-06-025491)	27OCT06	B.W	S.Y	



THIS DRAWING IS A CONTROLLED DOCUMENT.		DWN J.TANIGAWA 100CT03	 Tyco Electronics AMP K.K. Kawasaki, Japan	
DIMENSIONS: MM		CHK Y.YAMAMOTO 100CT03	NAME SEMI HARD TRAY & EMBOSS TAPE SUPPLY MINI PCI EXPRESS CONNECTOR ASSEMBLY	
TOLERANCES UNLESS OTHERWISE SPECIFIED: 0 PLC ± - 1 PLC ± - 2 PLC ± - 3 PLC ± - 4 PLC ± - ANGLES ± -		APVD Y.YAMAMOTO 100CT03	PRODUCT SPEC 108-5899	
MATERIAL SEE NOTE		FINISH SEE NOTE	APPLICATION SPEC	RESTRICTED TO
		WEIGHT 1.2g	SIZE A3	CAGE CODE 00779
		DRAWING NO C-1717831		SCALE 4:1
		CUSTOMER DRAWING		SHEET 1 OF 4
				REV C

THIS DRAWING IS UNPUBLISHED. RELEASED FOR PUBLICATION OCT ,2003.
 © COPYRIGHT 2003 BY TYCO ELECTRONICS CORPORATION. ALL RIGHTS RESERVED.

LOC	DIST	REVISIONS			
P	LTR	DESCRIPTION	DATE	DWN	APVD
J	/	SEE SHEET 1	-	-	-



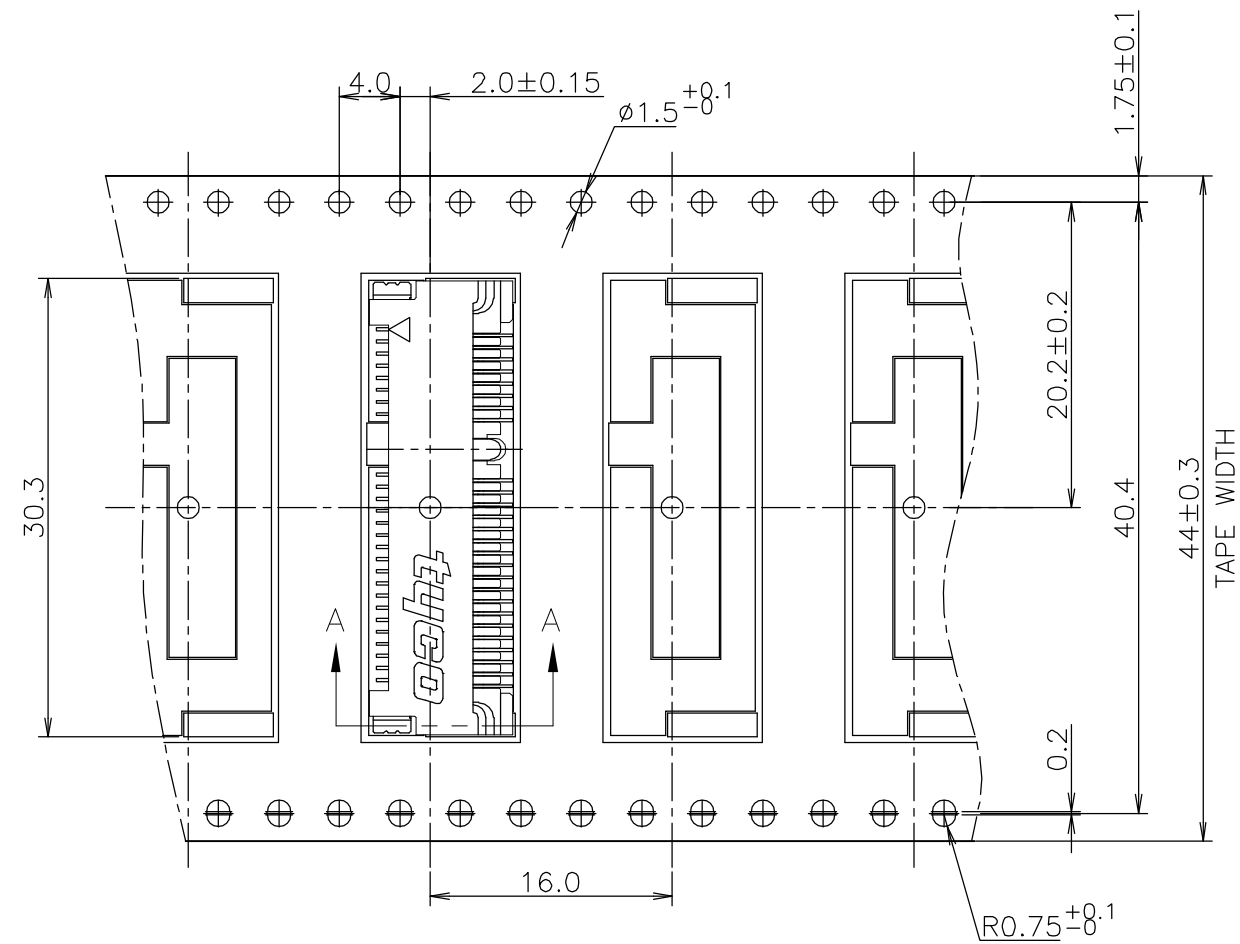
NOTE
 1. THE DIRECTION OF EACH CONNECTOR ON A TRAY IS REFERRED TO THIS DWG.

BOSSLSS	70EA/TRAY	2-912023-7	1-1717831-1
—//—	70EA/TRAY	2-912023-7	1717831-1
REMARK	QTY	TRAY P/N	P/N

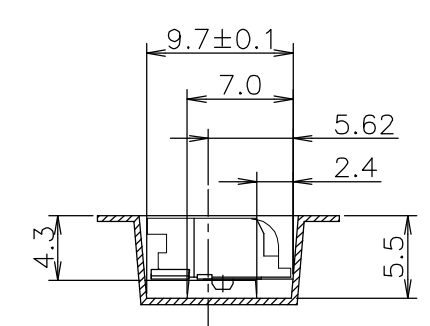
THIS DRAWING IS A CONTROLLED DOCUMENT.		DWN	Tyco Electronics AMP K.K. Kawasaki, Japan	
DIMENSIONS: MM		CHK		
TOLERANCES UNLESS OTHERWISE SPECIFIED:		APVD	NAME	
0 PLC ± - 1 PLC ± - 2 PLC ± - 3 PLC ± - 4 PLC ± - ANGLES ± - FINISH ± -		PRODUCT SPEC	SEMI HARD TRAY & EMOSS TAPE SUPPLY	
TOLERANCES UNLESS OTHERWISE SPECIFIED ±0.5		APPLICATION SPEC	MINI PCI EXPRESS CONNECTOR ASSEMBLY	
MATERIAL		WEIGHT	SIZE	RESTRICTED TO
			A3	
		CUSTOMER DRAWING	CAGE CODE	
			00779	
			DRAWING NO	
			C-1717831	
			SCALE	
			NTS	
			SHEET	
			3 OF 4	
			REV	
			C	

THIS DRAWING IS UNPUBLISHED. RELEASED FOR PUBLICATION OCT, 2003.
 © COPYRIGHT 2003 BY TYCO ELECTRONICS CORPORATION. ALL RIGHTS RESERVED.

LOC	DIST	REVISIONS					
		P	LTR	DESCRIPTION	DATE	DWN	APVD
J	/	-	-	SEE SHEET 1	-	-	-

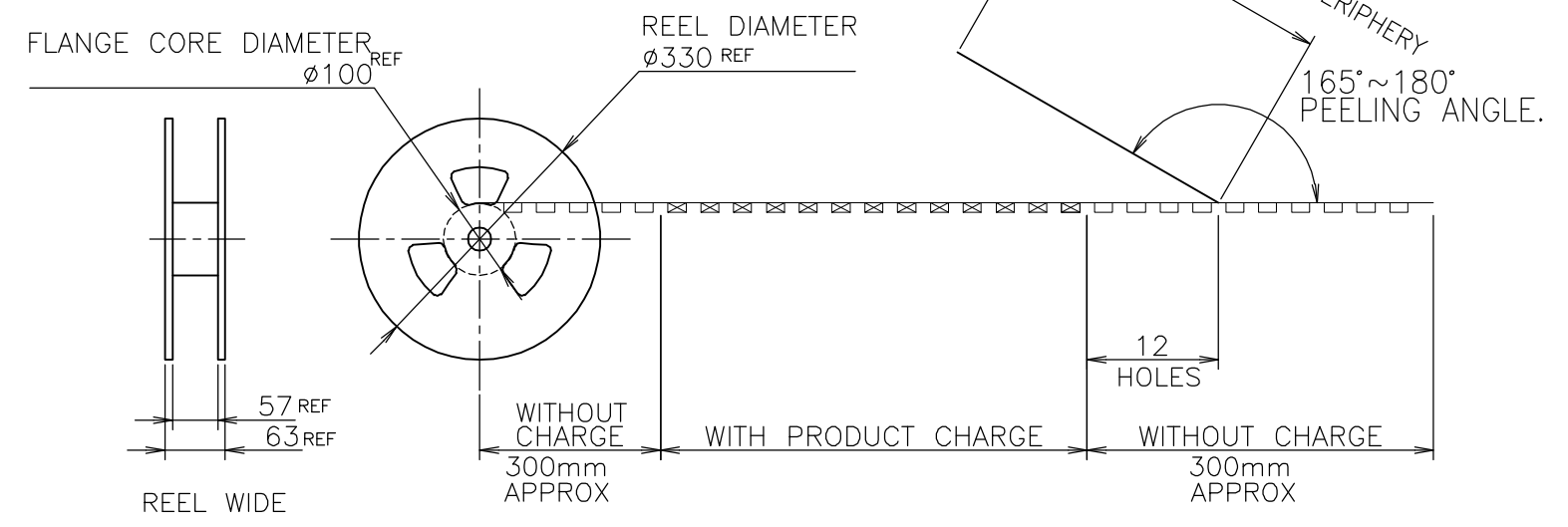


1 PEELING RESISTANCE : 0.1N~1.3N
 (10gf~130gf)
 SPEED : 300mm/min



A-A

TOP OF REEL →



//	500EA	5-912103-9	1717831-2
REMARK	QTY/REEL	EMBOSS TAPE P/N	P/N

THIS DRAWING IS A CONTROLLED DOCUMENT.		DWN	Tyco Electronics AMP K.K. Kawasaki, Japan	
DIMENSIONS: MM		CHK		
TOLERANCES UNLESS OTHERWISE SPECIFIED:		APVD	NAME	
0 PLC ± -		PRODUCT SPEC	SEMI HARD TRAY & EMBOSS TAPE SUPPLY	
1 PLC ± -		108-5899	MINI PCI EXPRESS CONNECTOR ASSEMBLY	
2 PLC ± -		APPLICATION SPEC	SIZE	CAGE CODE
3 PLC ± -		WEIGHT	A3	00779
4 PLC ± -		CUSTOMER DRAWING	DRAWING NO	RESTRICTED TO
ANGLES ± -		SCALE	C-1717831	4 OF 4
FINISH		SHEET	2:1	REV C