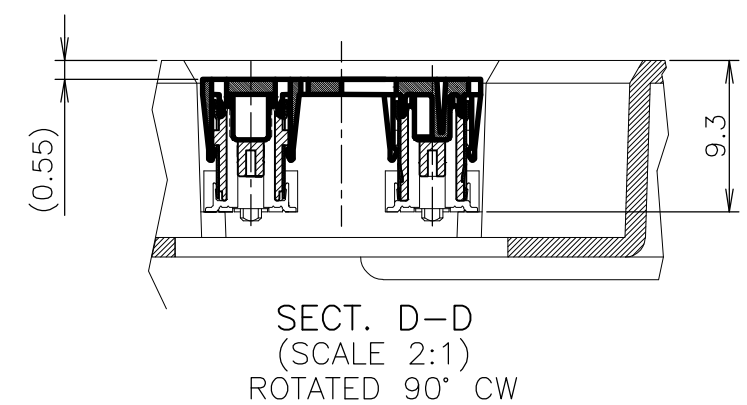
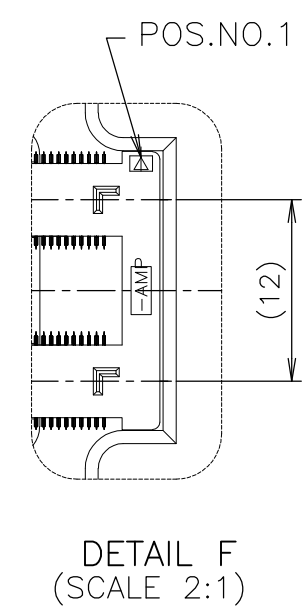
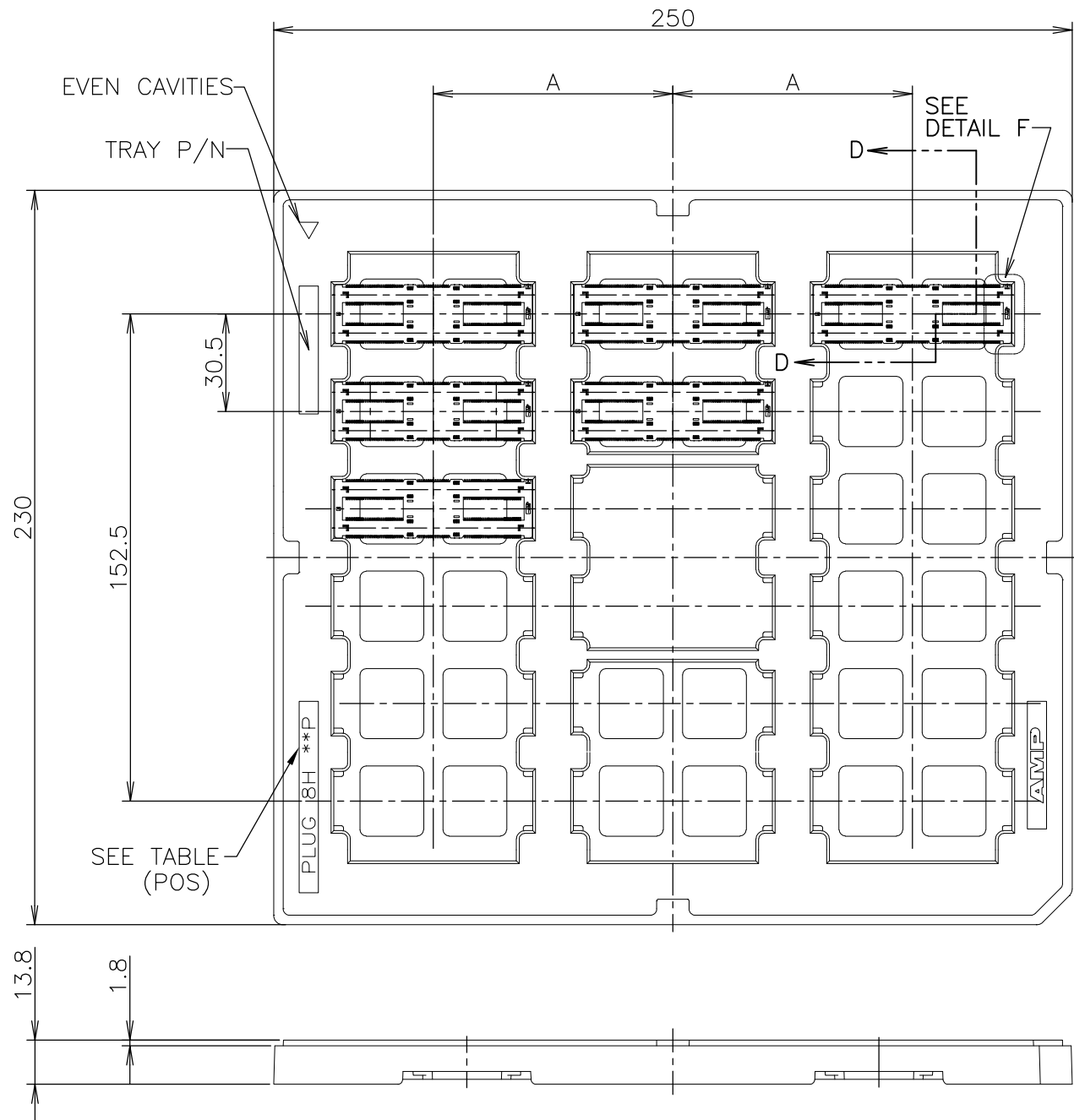


THIS DRAWING IS UNPUBLISHED. RELEASED FOR PUBLICATION
 © COPYRIGHT BY TYCO ELECTRONICS CORPORATION. ALL RIGHTS RESERVED.

LOC	DIST	REVISIONS			
P	LTR	DESCRIPTION	DATE	DWN	APVD
	C	REVISED	09DEC2009	C.O	Y.N

3-5353652-6:AS SHOWN



NO	3	18	75	440	3-5353652-6
SEALANT	ROW	QTY	A	POS.	PART NO.

THIS DRAWING IS A CONTROLLED DOCUMENT.		DWN	S.CHIEN	18MAY05	Tyco Electronics Corporation Kawasaki, Japan	
DIMENSIONS: MM		CHK	T.FUTATSUGI	18MAY05		
		APVD	H.KODAMA	18MAY05		
TOLERANCES UNLESS OTHERWISE SPECIFIED:		PRODUCT SPEC		NAME		
0 PLC ± 0.3		108-5560		HARD TRAY ASSY		
1 PLC ± 0.3		APPLICATION SPEC		FH 0.5BTB CONNECTOR		
2 PLC ± 0.3		WEIGHT		PLUG 8H W/G-PLATE ON 2ROW CAP		
3 PLC ± 0.3		CUSTOMER DRAWING		SIZE	CAGE CODE	DRAWING NO
4 PLC ± 0.3		SCALE 1:2		A3	00779	C-5353652
ANGLES ± 3'		SHEET 1 OF 8		RESTRICTED TO		
FINISH		REV C				

4

3

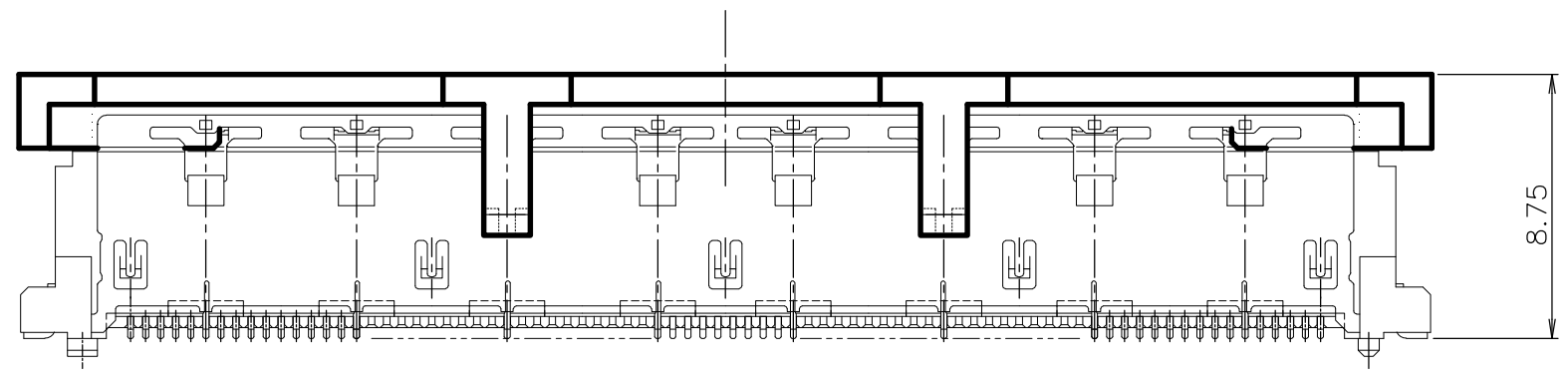
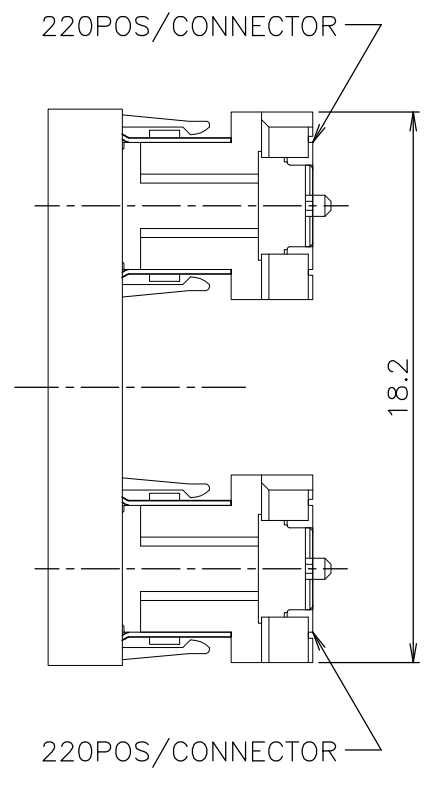
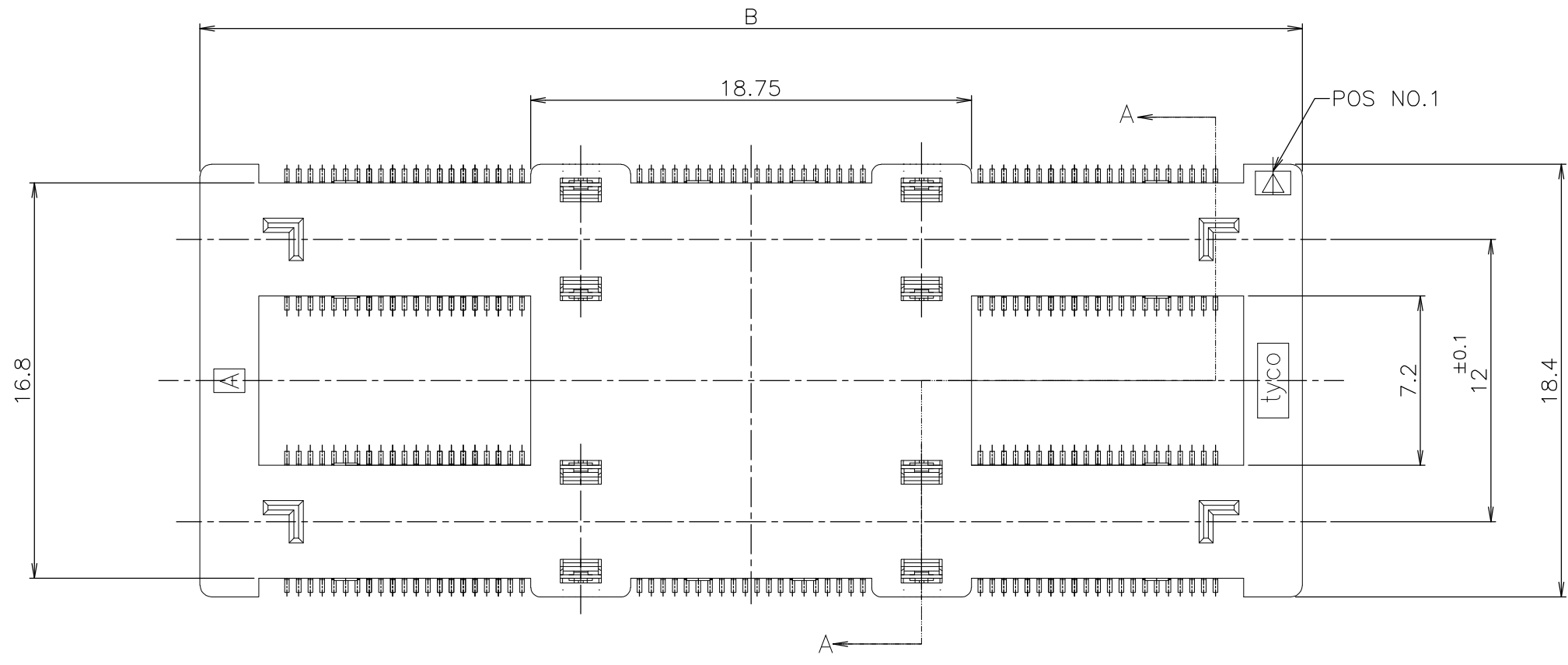
2

1

THIS DRAWING IS UNPUBLISHED. RELEASED FOR PUBLICATION
 © COPYRIGHT BY TYCO ELECTRONICS CORPORATION. ALL RIGHTS RESERVED.

LOC J	DIST /	REVISIONS		
P	LTR	DESCRIPTION	DATE	DWN APVD
	-	SEE SHEET 1	-	-

CAP SETTING CONDITION OF 3-5353652-6



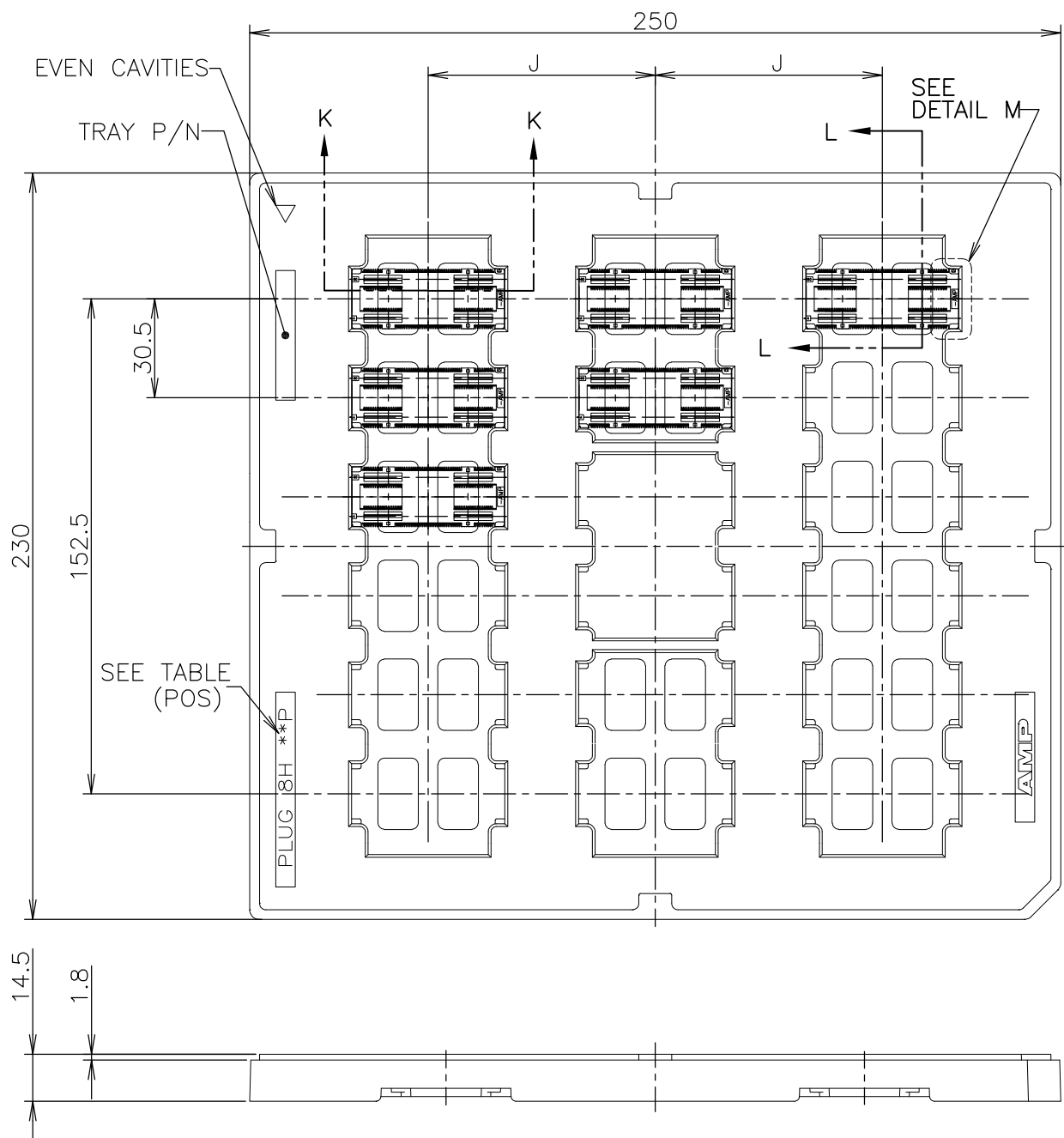
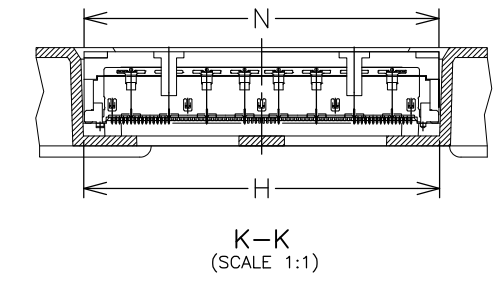
BLACK	61.9	440	3-5353652-6
CAP COLOR	B	POS	PART NO.

THIS DRAWING IS A CONTROLLED DOCUMENT.		DWN	Tyco Electronics Corporation Kawasaki, Japan		
DIMENSIONS: MM		CHK	NAME		
TOLERANCES UNLESS OTHERWISE SPECIFIED:		APVD	HARD TRAY ASSY FH 0.5BTB CONNECTOR PLUG 8H W/G-PLATE ON 2ROW CAP		
0 PLC ± 0.3		PRODUCT SPEC	SIZE	CAGE CODE	DRAWING NO
1 PLC ± 0.3		APPLICATION SPEC	A3	00779	C-5353652
2 PLC ± 0.3		WEIGHT	RESTRICTED TO		
3 PLC ± 0.3		CUSTOMER DRAWING			
4 PLC ± 0.3		SCALE 4:1 SHEET 2 OF 8 REV C			
ANGLES ± 3'					
FINISH					

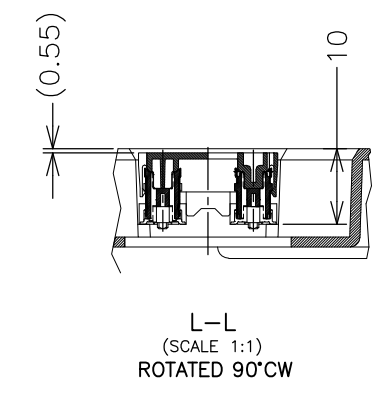
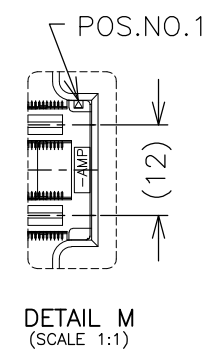
THIS DRAWING IS UNPUBLISHED. RELEASED FOR PUBLICATION
 © COPYRIGHT BY TYCO ELECTRONICS CORPORATION. ALL RIGHTS RESERVED.

LOC	DIST	P	LTR	DESCRIPTION	DATE	DWN	APVD
J	/			SEE SHEET 1	-	-	-

6-5353652-2:AS SHOWN
 1-5353652-2:AS SHOWN



SEALANT (SIF-200B)	TOOLING	ROW	QTY	J	H	N	POS.	TRAY P/N	ON CAP CONN P/N	PART NO.	
NOT AVAILABLE	3	18	↑	66.8	66.9	480	.	6-5353620-7	6-5353652-7		
↑	↑	↑	↑	61.8	61.9	440	.	6-↑-6	6-↑-6		
↓	↓	↓	↓	75	56.8	56.9	400	.	6-↓-5	6-↓-5	
↓	↓	↓	↓	70	51.8	51.9	360	.	6-↓-4	6-↓-4	
NOT AVAILABLE	↑	↑	↑	49.3	49.4	340	.	6-5353620-3	6-5353652-3		
AVAILABLE	↑	↑	↑	46.8	46.9	320	7-912066-6	6-5353620-2	6-5353652-2		
NOT AVAILABLE	↓	↓	↓	44.3	44.4	300	.	6-5353620-1	6-5353652-1		
↑	↓	↓	↓	41.8	41.9	280	.	6-↑-0	6-↑-0		
↓	3	18	70	36.8	36.9	240	.	5-↑-9	5-↑-9		
↓	5	30	43	31.8	31.9	200	.	5-↑-8	5-↑-8		
↑	↑	↑	↑	29.3	29.4	180	.	5-↑-7	5-↑-7		
↑	↑	↑	↑	26.8	26.9	160	.	5-↑-6	5-↑-6		
↑	↑	↑	↑	24.3	24.4	140	.	5-↑-5	5-↑-5		
↑	↑	↑	↑	21.8	21.9	120	.	5-↑-4	5-↑-4		
↑	↑	↑	↑	19.3	19.4	100	.	5-↑-3	5-↑-3		
↑	↑	↑	↑	16.8	16.9	80	.	5-↑-2	5-↑-2		
NOT AVAILABLE	5	30	43	14.3	14.4	60	.	5-5353620-1	5-5353652-1		
NOT AVAILABLE	3	18	↑	66.8	66.9	480	.	1-5353620-7	1-5353652-7		
↑	↑	↑	↑	61.8	61.9	440	.	1-↑-6	1-↑-6		
↓	↓	↓	↓	75	56.8	56.9	400	.	1-↓-5	1-↓-5	
↓	↓	↓	↓	70	51.8	51.9	360	.	1-↓-4	1-↓-4	
NOT AVAILABLE	↑	↑	↑	49.3	49.4	340	.	1-5353620-3	1-5353652-3		
AVAILABLE	↑	↑	↑	46.8	46.9	320	7-912066-6	1-5353620-2	1-5353652-2		
NOT AVAILABLE	↓	↓	↓	44.3	44.4	300	.	1-5353620-1	1-5353652-1		
↑	↓	↓	↓	41.8	41.9	280	.	1-↑-0	1-↑-0		
↓	3	18	70	36.8	36.9	240	.	↑-9	↑-9		
↓	5	30	43	31.8	31.9	200	.	↑-8	↑-8		
↑	↑	↑	↑	29.3	29.4	180	.	↑-7	↑-7		
↑	↑	↑	↑	26.8	26.9	160	.	↑-6	↑-6		
↑	↑	↑	↑	24.3	24.4	140	.	↑-5	↑-5		
↑	↑	↑	↑	21.8	21.9	120	.	↑-4	↑-4		
↑	↑	↑	↑	19.3	19.4	100	.	↑-3	↑-3		
↑	↑	↑	↑	16.8	16.9	80	.	↑-2	↑-2		
NOT AVAILABLE	5	30	43	14.3	14.4	60	.	5353620-1	5353652-1		



THIS DRAWING IS A CONTROLLED DOCUMENT.

DWN	Tyco Electronics Corporation Kawasaki, Japan
CHK	
APVD	
PRODUCT SPEC	
APPLICATION SPEC	NAME
WEIGHT	HARD TRAY ASSY FH 0.5BTB CONNECTOR PLUG 8H W/G-PLATE ON 2ROW CAP
CUSTOMER DRAWING	SIZE: A3 CAGE CODE: 00779 DRAWING NO: C-5353652 RESTRICTED TO: -
SCALE: 1:2	SHEET: 3 OF 8
REV: C	

4

3

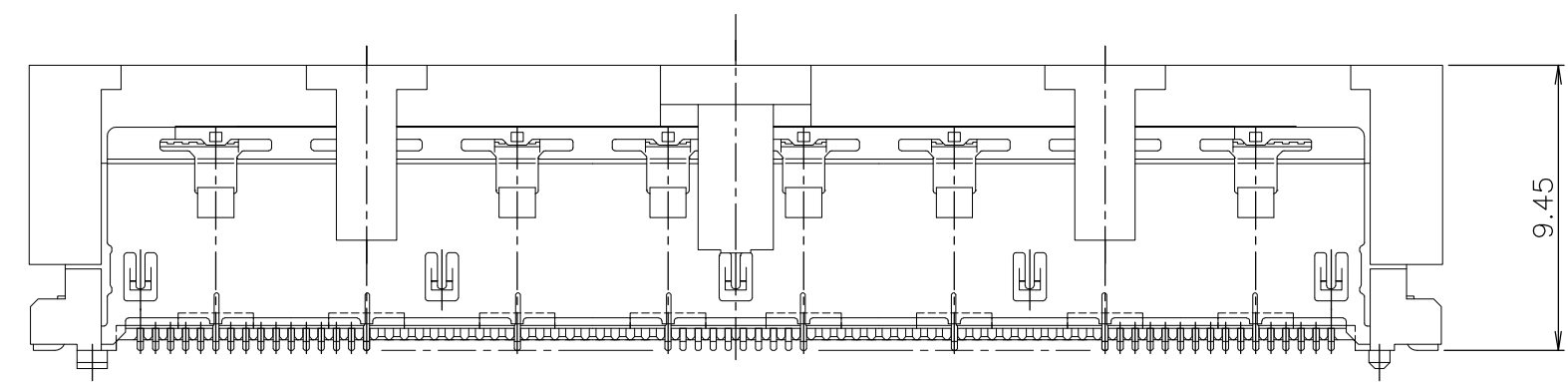
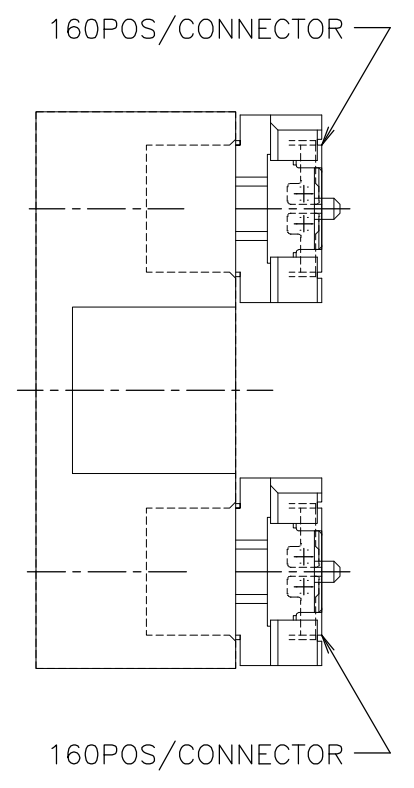
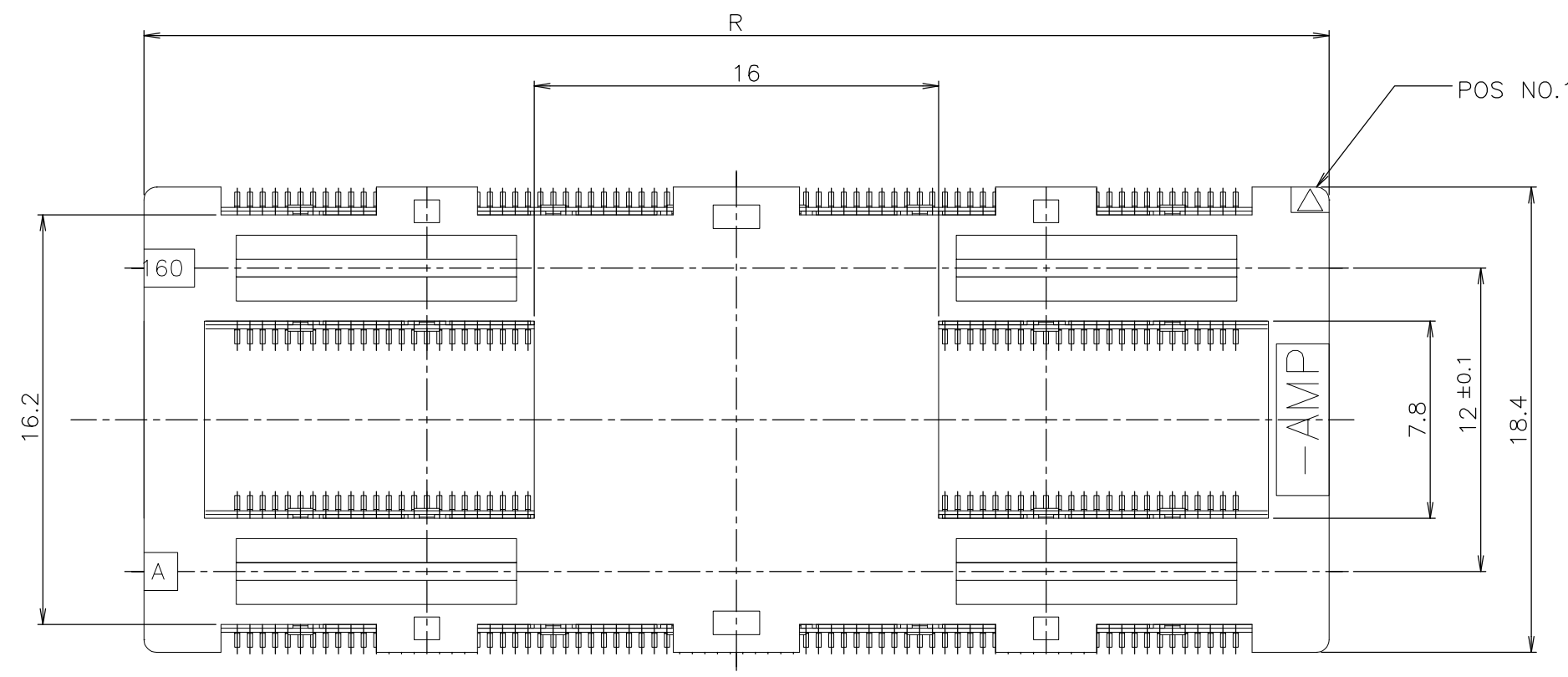
2

1

THIS DRAWING IS UNPUBLISHED. RELEASED FOR PUBLICATION
© COPYRIGHT BY TYCO ELECTRONICS CORPORATION. ALL RIGHTS RESERVED.

LOC	DIST	REVISIONS			
P	LTR	DESCRIPTION	DATE	DWN	APVD
J	/	SEE SHEET 1	-	-	-

CAP SETTING CONDITION OF 1-5353652-2 & 6-5353652-2

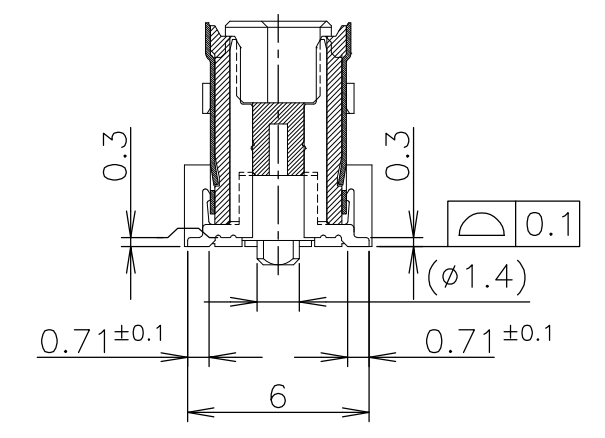
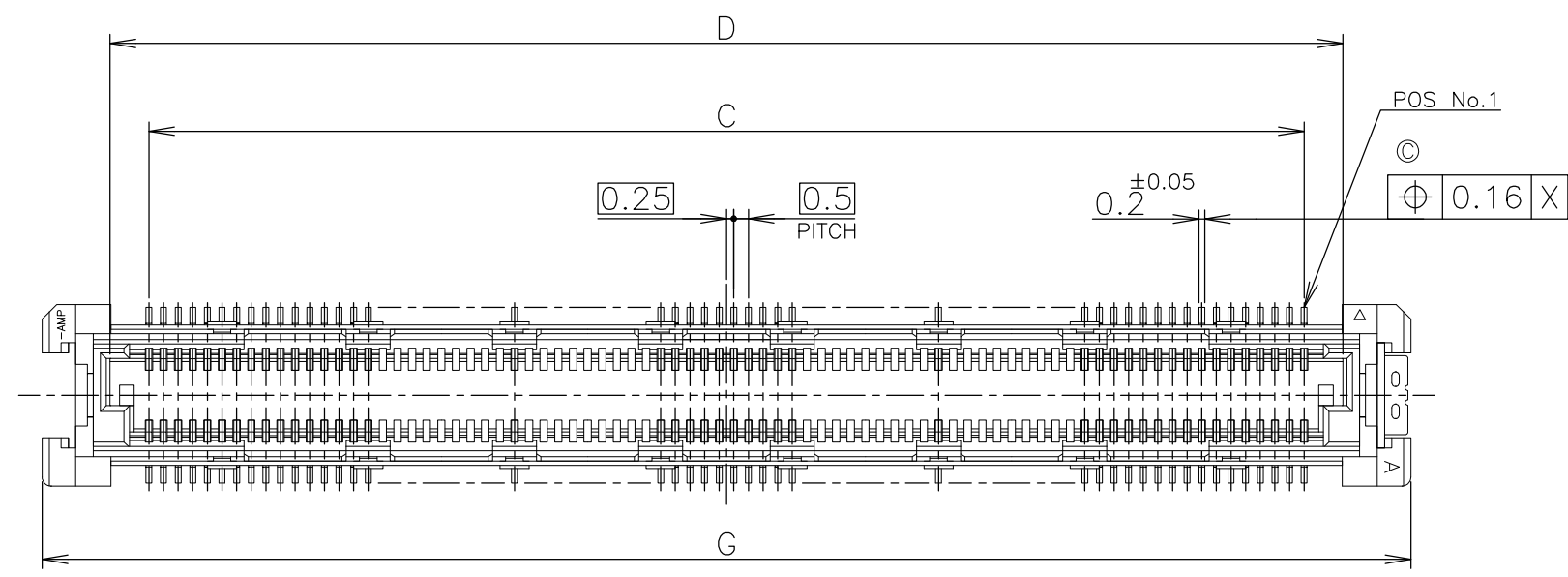


YES	NATURAL	46.9	320	6-5353652-2
NO	NATURAL	46.9	320	1-5353652-2
SEALANT	CAP COLOR	R	POS	PART NO.

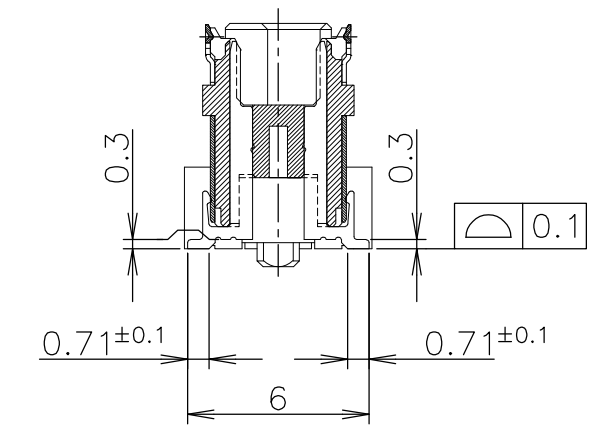
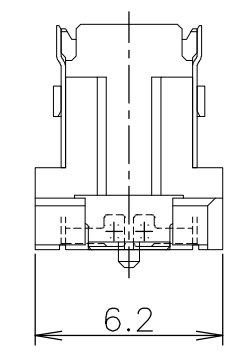
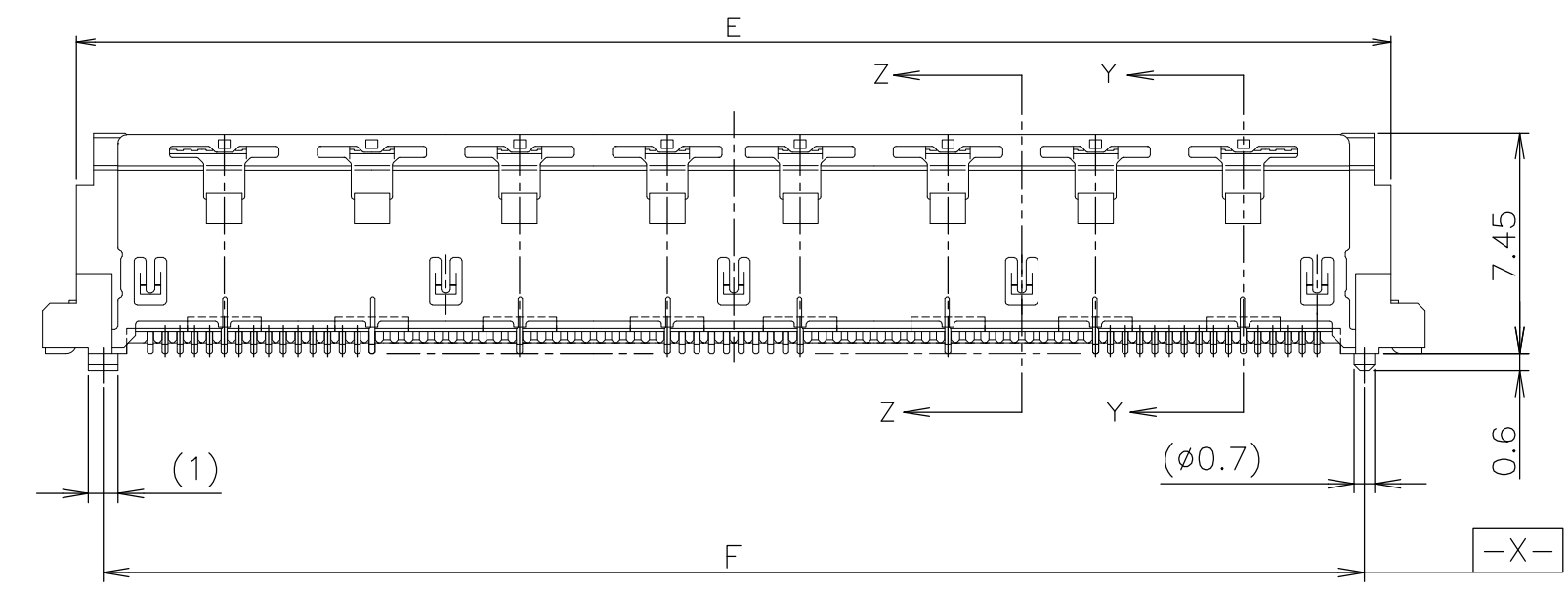
THIS DRAWING IS A CONTROLLED DOCUMENT.		DWN	Tyco Electronics Corporation Kawasaki, Japan		
DIMENSIONS: MM		CHK	NAME		
TOLERANCES UNLESS OTHERWISE SPECIFIED:		APVD	HARD TRAY ASSY FH 0.5BTB CONNECTOR PLUG 8H W/G-PLATE ON 2ROW CAP		
0 PLC ± 0.3		PRODUCT SPEC	SIZE	CAGE CODE	DRAWING NO
1 PLC ± 0.3		APPLICATION SPEC	A3	00779	C-5353652
2 PLC ± 0.3		WEIGHT	RESTRICTED TO		
3 PLC ± 0.3		CUSTOMER DRAWING			
4 PLC ± 0.3		SCALE 4:1 SHEET 4 OF 8 REV C			
ANGLES ± 3'					
FINISH					

THIS DRAWING IS UNPUBLISHED. RELEASED FOR PUBLICATION
 © COPYRIGHT BY TYCO ELECTRONICS CORPORATION. ALL RIGHTS RESERVED.

LOC	DIST	REVISIONS			
P	LTR	DESCRIPTION	DATE	DWN	APVD
		SEE SHEET 1	-	-	-



SECT. Z-Z
(SIGNAL POSITION)



SECT. Y-Y
(GROUND POSITION)

- ① MATERIAL ; HOUSING : HIGH TEMP THERMO PLASTIC UL94V-0
CONTACT : COPPER ALLOY
SOLDER PEG : COPPER ALLOY
- ② FINISH ; SIGNAL CONTACT : UNDER PL Ni 0.0013mm MIN ALL OVER.
CONTACT AREA 0.0002mm MIN Au PL.
SOLDERING AREA 0.001mm MIN TIN PL.
GROUND CONTACT : UNDER PL Ni 0.0013mm MIN ALL OVER.
CONTACT AREA 0.0002mm MIN Au PL.
SOLDERING AREA 0.001mm MIN TIN PL.
SOLDER PEG : 0.001mm MIN TIN PL. OVER
0.0013mm MIN Ni PL ALL OVER.
- ③ THIS POSITION IS GROUND CIRCUIT.
- ④ THIS PRODUCT IS COATED BY FLUX-PENETRATION-INHIDITING AGENT.

46.8	42.7	44.5	42.1	39.5	160	NATURAL	6-5353652-2
46.8	42.7	44.5	42.1	39.5	160	NATURAL	1-5353652-2
61.8	57.7	59.5	57.1	54.5	220	BLACK	3-5353652-6
G	F	E	D	C	POS OF EACH CONNECTOR	HSG COLOR	PART NO.

THIS DRAWING IS A CONTROLLED DOCUMENT.		DWN		Tyco Electronics Corporation Kawasaki, Japan	
DIMENSIONS: MM		CHK			
TOLERANCES UNLESS OTHERWISE SPECIFIED:		APVD		NAME	
0 PLC ± 0.3 1 PLC ± 0.3 2 PLC ± 0.3 3 PLC ± 0.3 4 PLC ± 0.3 ANGLES ± 3°		PRODUCT SPEC		HARD TRAY ASSY	
MATERIAL ①		FINISH ②		FH 0.5BTB CONNECTOR	
		APVD		PLUG 8H W/G-PLATE ON 2ROW CAP	
		PRODUCT SPEC		SIZE	
		APPLICATION SPEC		CAGE CODE	
		WEIGHT		DRAWING NO	
		CUSTOMER DRAWING		A3 00779 C-5353652	
		SCALE		RESTRICTED TO	
		4:1		SHEET 5 OF 8	
		REV		C	

THIS DRAWING IS UNPUBLISHED. RELEASED FOR PUBLICATION
 © COPYRIGHT BY TYCO ELECTRONICS CORPORATION. ALL RIGHTS RESERVED.

LOC J DIST

REVISIONS				
P	LTR	DESCRIPTION	DATE	APVD
	-	SEE SHEET 1	-	-

D

D

C

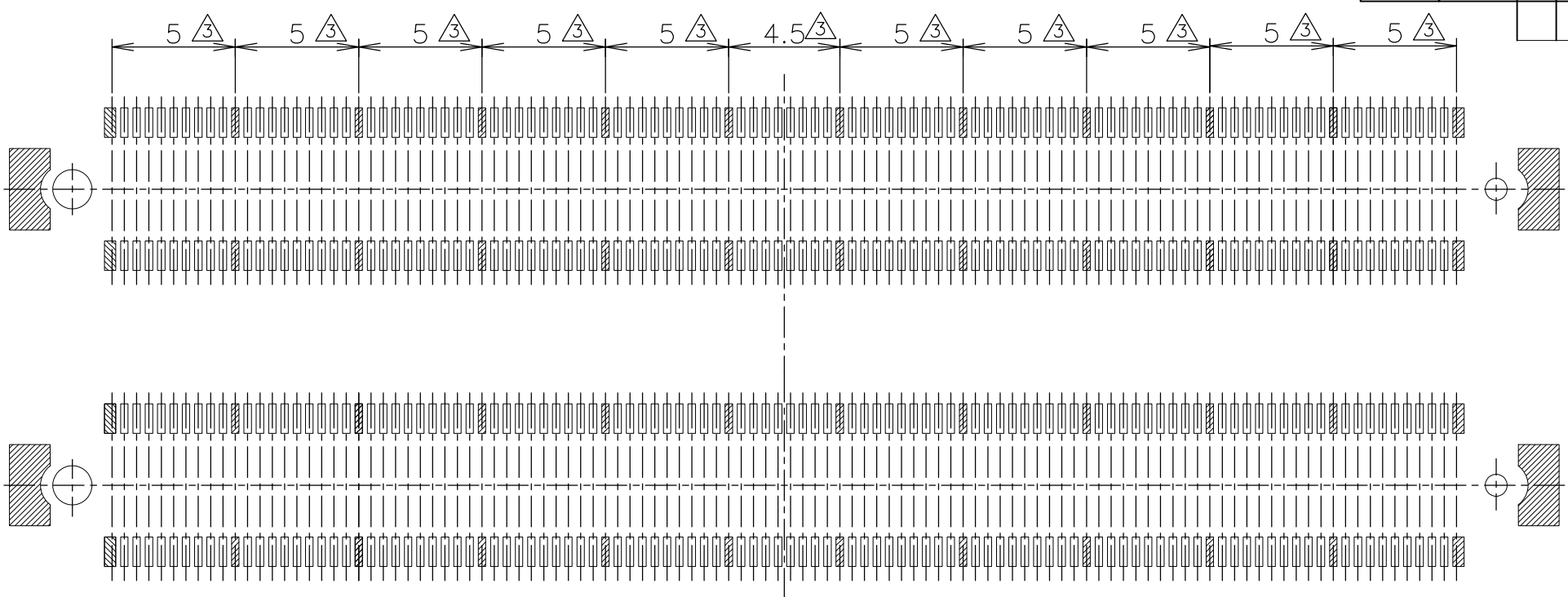
C

B

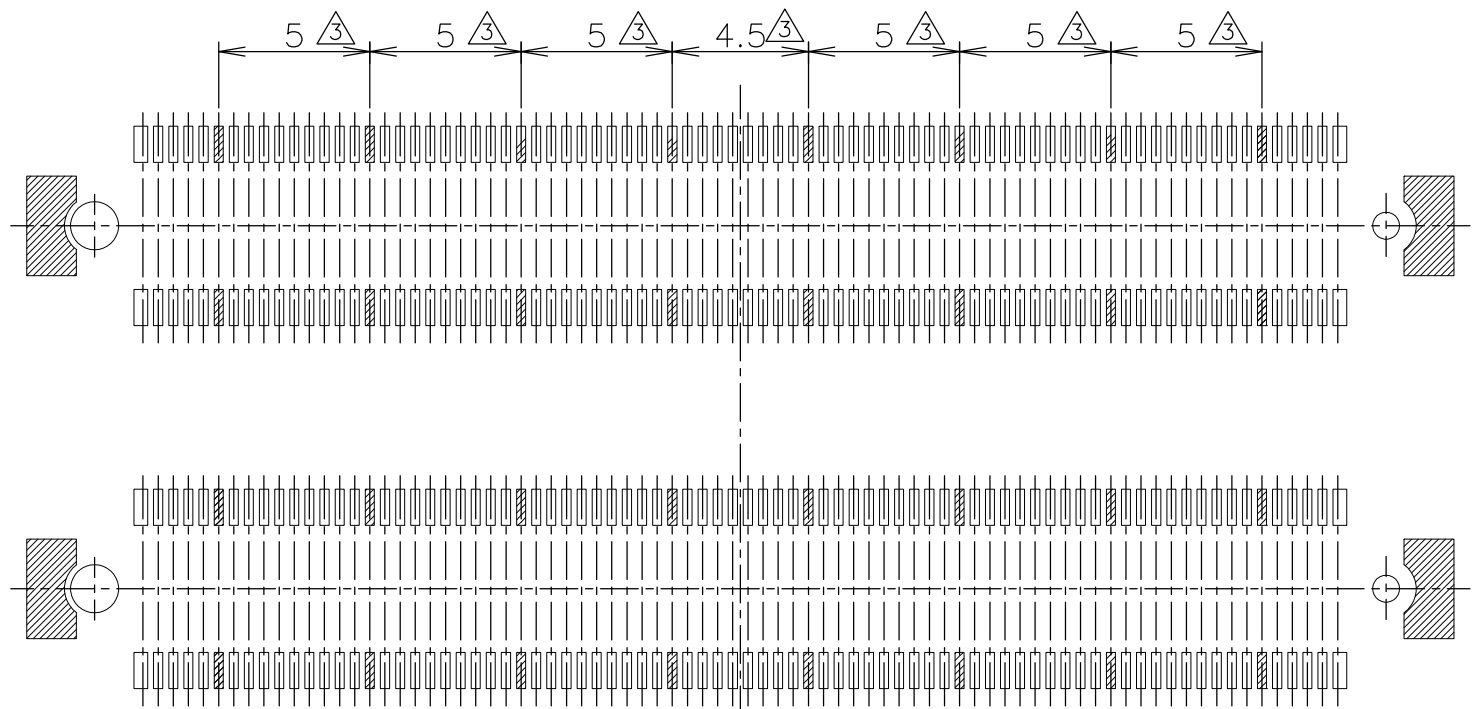
B

A

A



440P



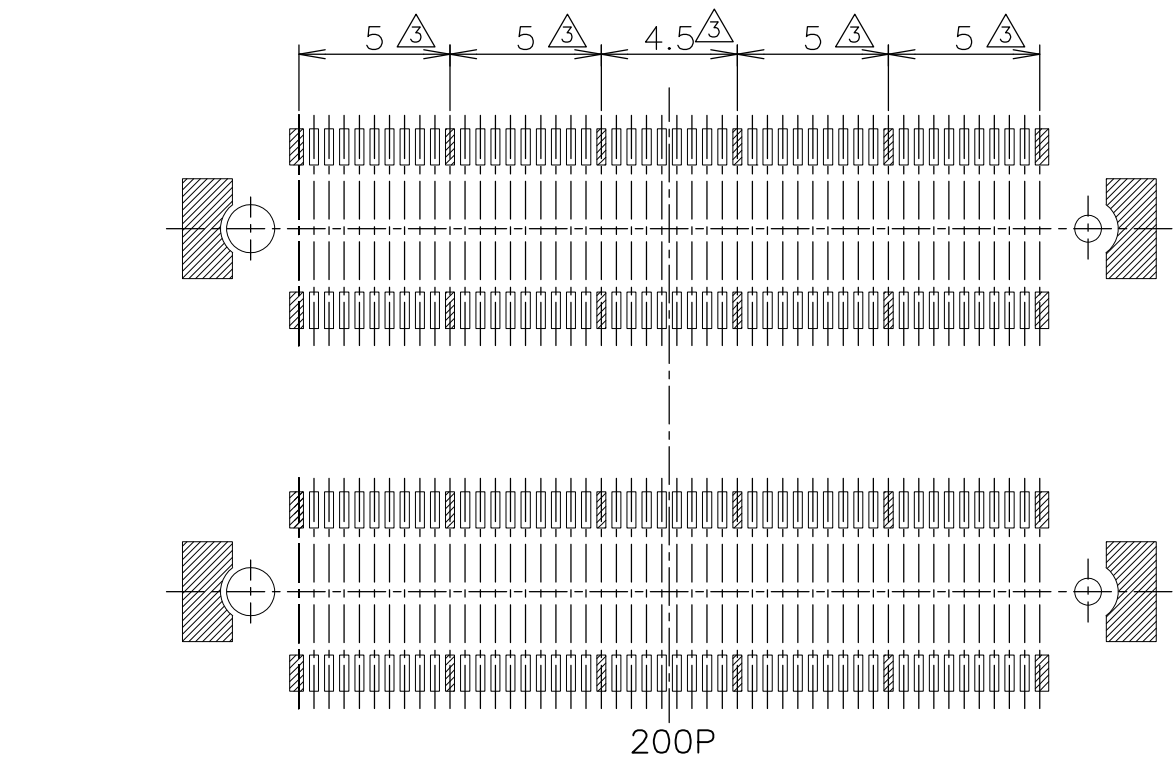
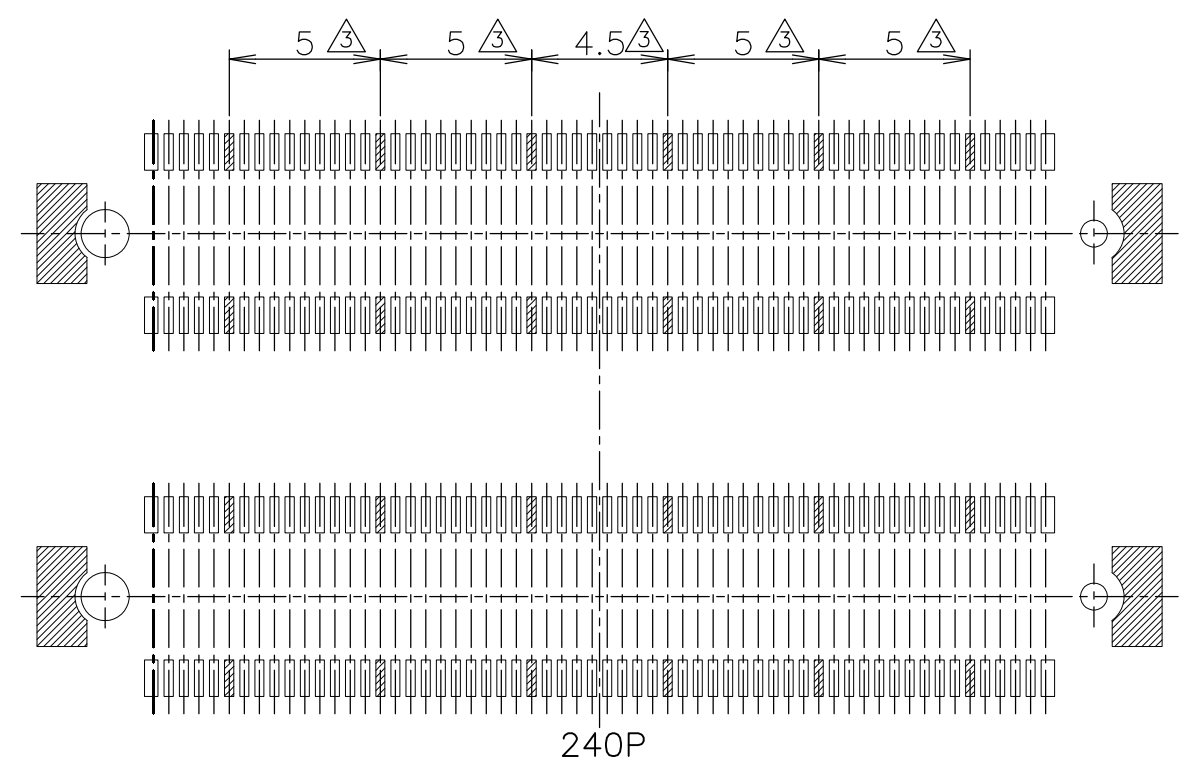
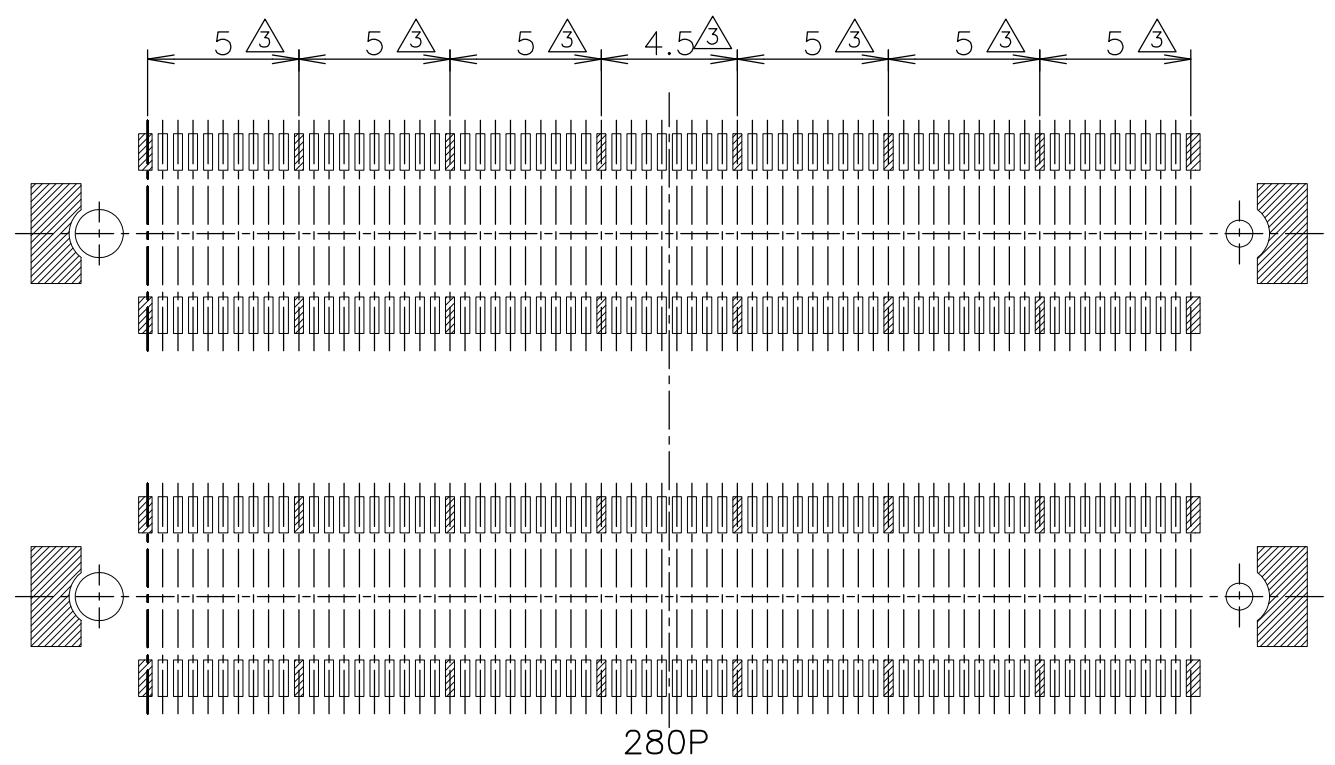
320P

P.C. BOARD LAYOUT

THIS DRAWING IS A CONTROLLED DOCUMENT.		DWN	Tyco Electronics Corporation Kawasaki, Japan		
DIMENSIONS: MM		CHK	NAME		
TOLERANCES UNLESS OTHERWISE SPECIFIED:		APVD	HARD TRAY ASSY FH 0.5BTB CONNECTOR PLUG 8H W/G-PLATE ON 2ROW CAP		
0 PLC ± 0.3		PRODUCT SPEC	SIZE	CAGE CODE	DRAWING NO
1 PLC ± 0.3		APPLICATION SPEC	A3	00779	C-5353652
2 PLC ± 0.3		WEIGHT	RESTRICTED TO		
3 PLC ± 0.3		CUSTOMER DRAWING	SCALE	SHEET	REV
4 PLC ± 0.3			4:1	7 OF 8	C
ANGLES ± 3'					
FINISH					

THIS DRAWING IS UNPUBLISHED. RELEASED FOR PUBLICATION
 © COPYRIGHT BY TYCO ELECTRONICS CORPORATION. ALL RIGHTS RESERVED.

LOC	DIST	REVISIONS			
P	LTR	DESCRIPTION	DATE	DWN	APVD
J		SEE SHEET 1	-	-	-



THIS DRAWING IS A CONTROLLED DOCUMENT.		DWN	Tyco Electronics Corporation Kawasaki, Japan		
DIMENSIONS: MM		CHK	NAME		
		APVD	HARD TRAY ASSY FH 0.5BTB CONNECTOR PLUG 8H W/G-PLATE ON 2ROW CAP		
TOLERANCES UNLESS OTHERWISE SPECIFIED:		PRODUCT SPEC	SIZE	CAGE CODE	DRAWING NO
0 PLC ± 0.3 1 PLC ± 0.3 2 PLC ± 0.3 3 PLC ± 0.3 4 PLC ± 0.3 ANGLES ± 3°		APPLICATION SPEC	A3	00779	C-5353652
MATERIAL		WEIGHT	RESTRICTED TO		
FINISH		CUSTOMER DRAWING		SCALE 4:1	SHEET 8 OF 8
				REV C	