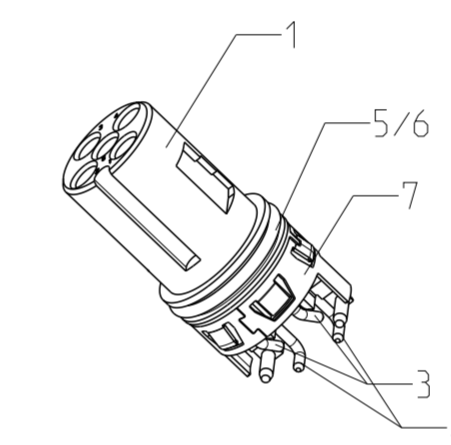
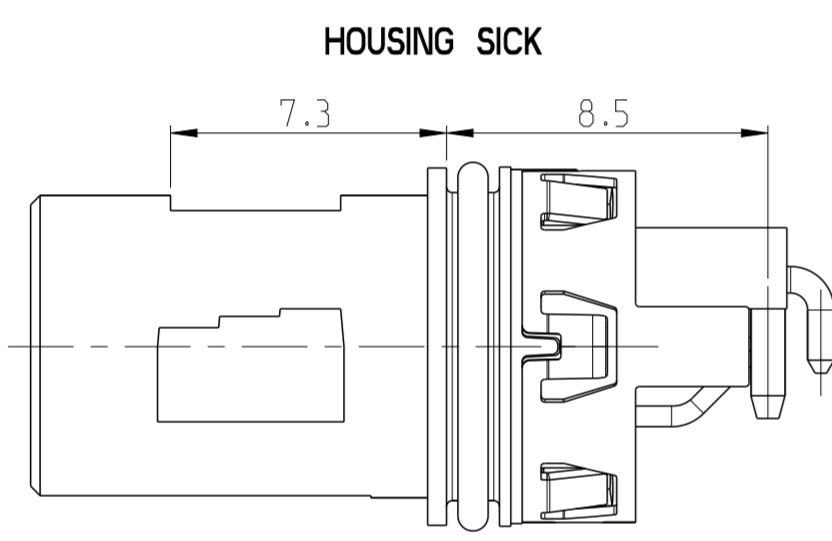
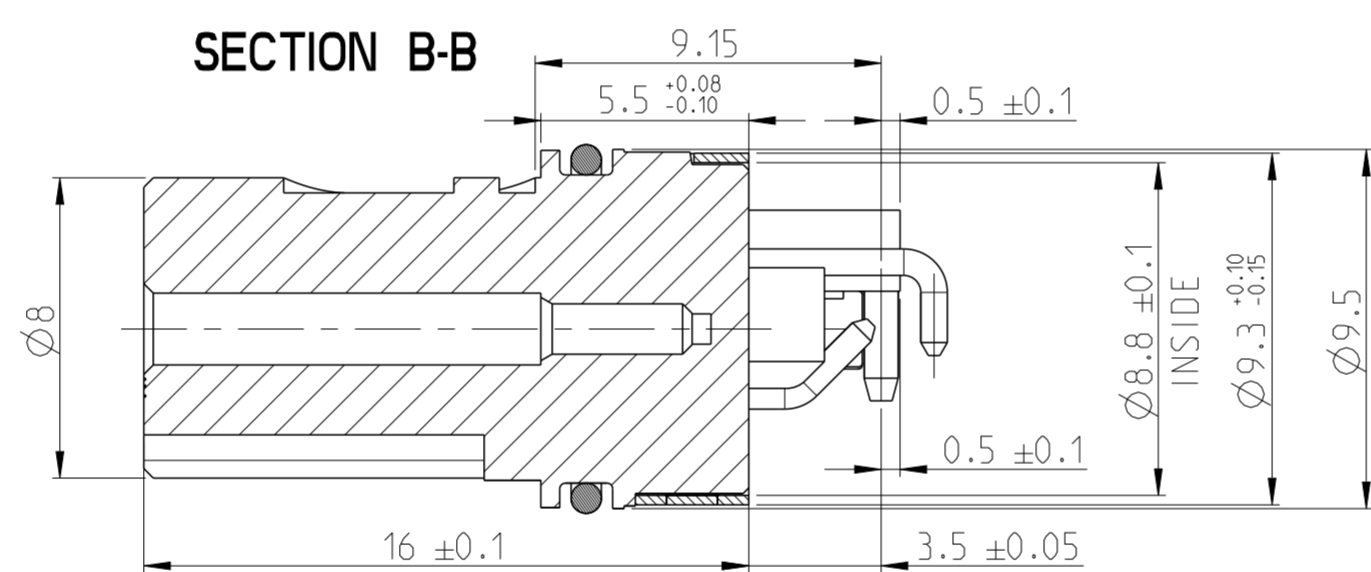
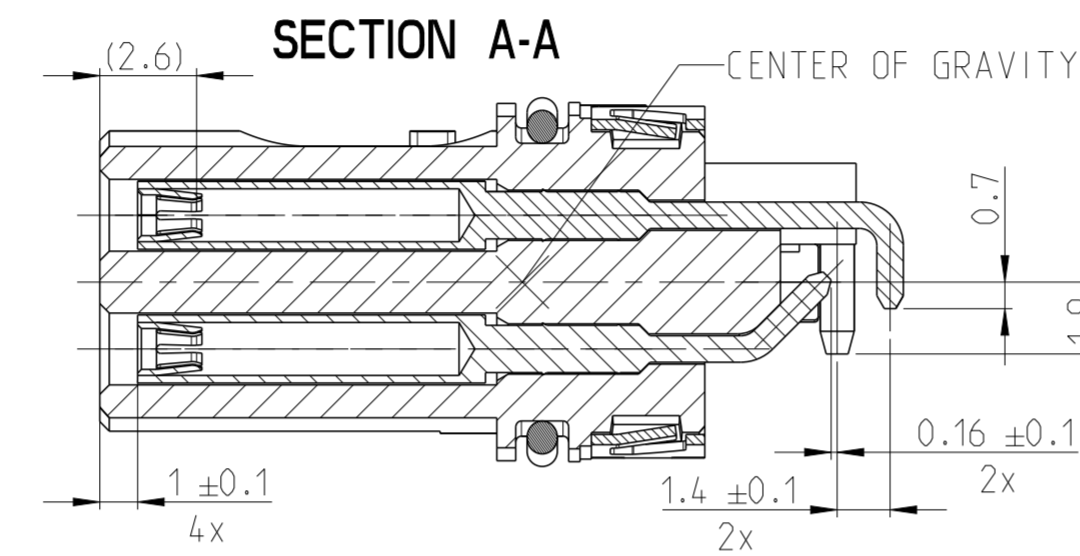
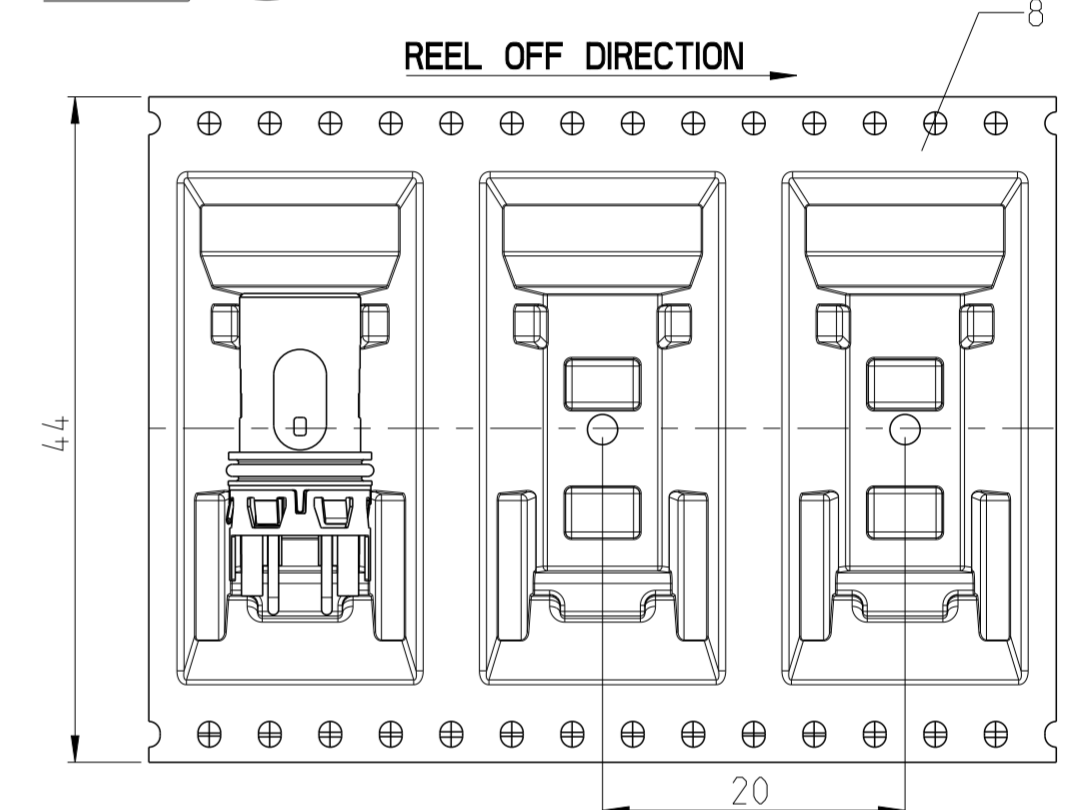
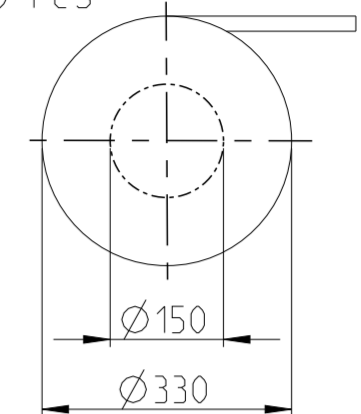
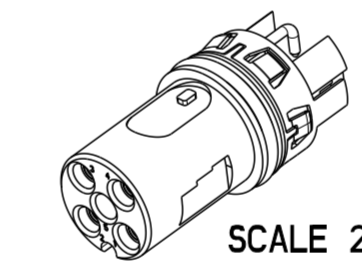


REVISIONS				
P	LTR	DESCRIPTION	DATE	APVD
A1		NEW DRAWING	24APR2023	ASB
D1		DRAWING RE-CREATED IN CREO	02AUG2023	ASB

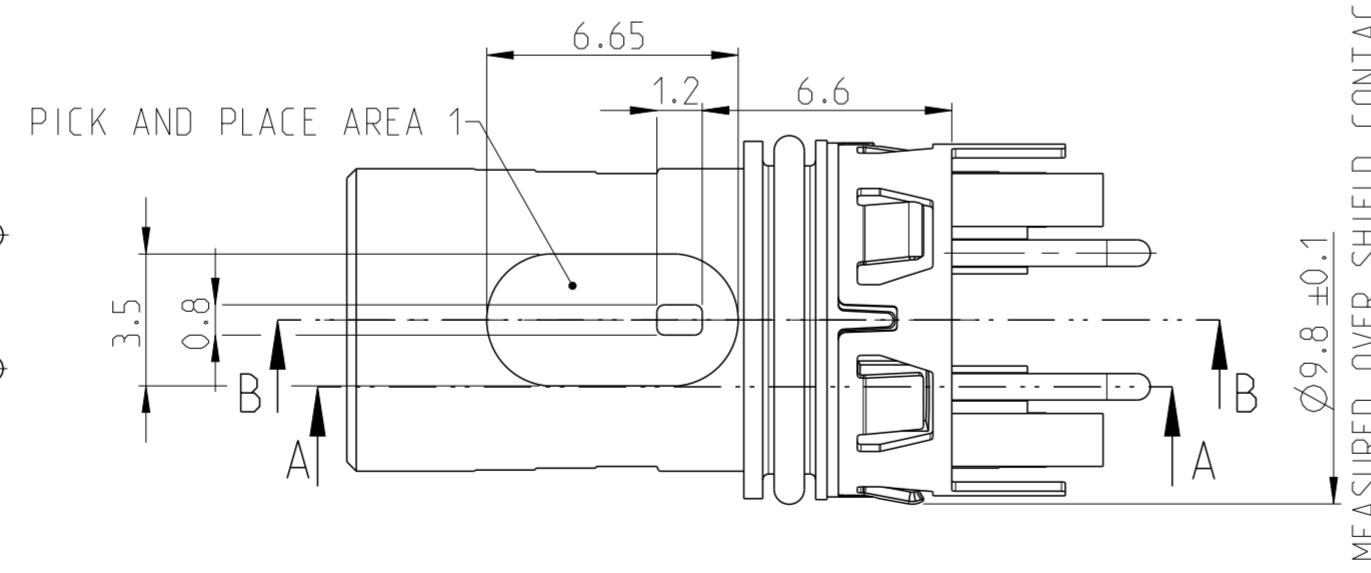
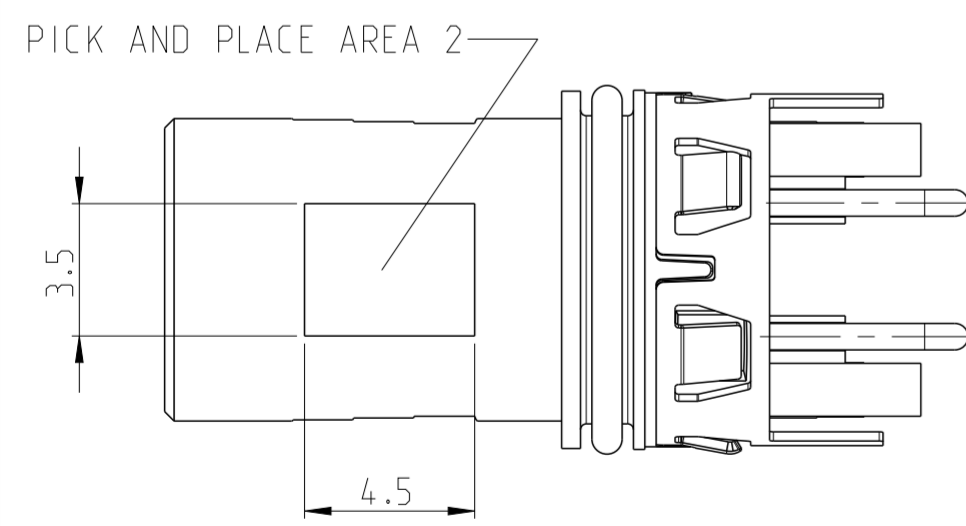
TAPE ON REEL PACKAGING ACCORDING TO DIN IEC 60286-3
PACKAGING UNIT: 250 PCS



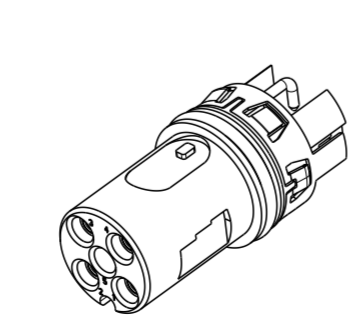
INTEGRATED PART-NO. XXXXXX-E
HOUSING 1



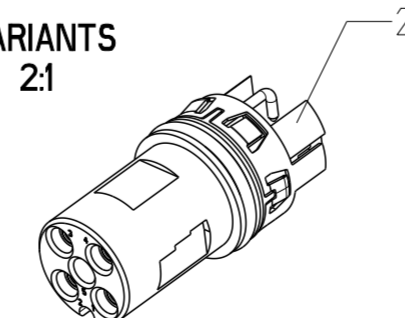
SCALE 2:1



- CHECK ACCORDING DEFINED CRITERIA
- CHECK WITH MASTER GAUGE
- SHIELDING MUST REMAIN LOCKED AND CLOSED ON INSULATION BODY UNTIL FINAL ASSEMBLY AT THE END CUSTOMER
- MATING FACE ACCORDING TO IEC 61076-2-101
- RECOMMENDED DIMENSION FOR INTEGRATION IN HOUSING ACCORDING TO 114-94782
- PCB-LAYOUT PROPOSAL ACCORDING TO DOCUMENT 114-94782



INTEGRATED HOUSING ITEM 1



INTEGRATED HOUSING ITEM 2 (SICK)

HOUSING VARIANTS
SCALE 2:1

QTY	OBsolete	OBsolete	OBsolete	OBsolete	REV	DESCRIPTION	ITEM NO.
1	1	1	1	1	-	TAPE AND REEL	8
1	-	1	-	-	-	SHIELD	7
1	-	-	-	1	-	O-RING 7.2x0.8	6
-	-	-	-	-	-	O-RING 7.2x0.85	5
2	2	2	2	2	-	PIN 3,4	4
2	2	2	2	2	-	PIN 1,2	3
-	-	-	-	1	-	M12 HOUSING SICK	2
1	1	1	-	-	-	M12 HOUSING	1
XXXXXX-E	225274-E	225276-E	225458-E	REV	DESCRIPTION	ITEM NO.	
REV OF EACH ASSY NO. (WHEN BLANK, USE DWG. REV)							

THIS DRAWING IS A CONTROLLED DOCUMENT.		DWN B. S. ADRUSH 24APR2023	TE Connectivity	
DIMENSIONS: mm		CHK M. SZELAG 26APR2023	M12 FEMALE, A CODE, RA, 4P THR REAR MOUNT	
TOLERANCES UNLESS OTHERWISE SPECIFIED: ISO 8015		APVD J. DE BRUIJN 26APR2023	SIZE A2	
0 PLC ±	1 PLC ±	PRODUCT SPEC 108-94897	CAGE CODE 100779	DRAWING NO. C-225458-E
2 PLC ±	3 PLC ±	APPLICATION SPEC 114-94782	RESTRICTED TO	
4 PLC ±	ANGLES ±	WEIGHT	SCALE 5:1	SHEET 1 OF 1
MATERIAL	FINISH	CUSTOMER DRAWING	REV 01	