

# Product Information



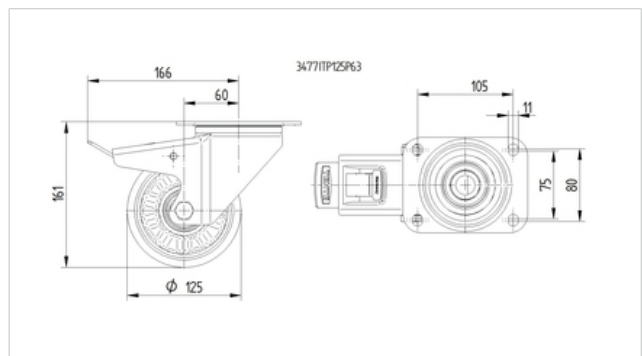
## 3477ITP125P63

EAN 4031582305203

Swivel castor with total lock, tail end of castor, housing made of pressed steel, bright zinc plated, blue passivated, double ball bearing swivel head, wheel axle with nut, dustguard, plate fitting. Wheel centre made of Aluminium, Tread: Polyurethane, casted, precision ball bearing



Technical Data	
Wheel diameter	125 mm
Width of Tread	50 mm
Size of Plate	137 x 105 mm
Plate hole centres	105 x 80/75 mm
Plate hole	11 mm
Offset	60 mm
Swivel Interference	332 mm
Overall height	161 mm
Temperature	- 20 / + 60 °C
Standard	EN 12532
Weight	2.464 kg
Swivel Radius	166 mm
Hardness of tread	Shore A 92
Load capacity	300 kg
Load capacity (static)	600 kg



Roll performance	+	+	+	+	+
Movement noise	+	+	+	+	+
Attrition	+	+	+	+	+
Corrosion resistance	+	+	+	+	+

# Product Information



## 3477ITP125P63

EAN 4031582305203

