

# ALPHA

3477ITP125P63 CL60 OH161

EAN 4031582305203  
Order number 00031271



BETTER MOBILITY. BETTER LIFE.



Image may differ from the original product

## PERFORMANCE

Roll performance	● ● ● ○ ○
Movement noise	● ● ● ○ ○
Attrition	● ● ● ● ○
Corrosion resistance	● ● ● ○ ○

## CORE ATTRIBUTES

Product name	Alpha
Type	Swivel castor with total lock
Standard	EN12532 - Transport Equipment
Load capacity at 4 km/h	300 kg
Load capacity at 6 km/h	200 kg
Load capacity Static	600 kg
Temperature range (Minimum)	-10 °C
Temperature range (Maximum)	60 °C
Overall height	161 mm
Overall width	98 mm
Overall weight	2.457 kg

## WHEEL

Body material	Aluminium
Tread material	Polyurethane, casted
Bearing	Precision ball bearing
Axle	Screwed with nut
Wheel color	Metallic
Threadguards	Without threadguard
Diameter	125 mm
Tread width	50 mm
Body width	50 mm
Hardness of tread (A)	92 Shore A
Hardness of tread (D)	42 Shore D

## HOUSING

Material fork	Steel sheet, heavy
Fork shape	Broad
Swivel bearing	Two ball races
Colour	Blue passivated
Offset	60 mm
Swivel radius	167 mm
Swivel interference	334 mm
Dome diameter	98 mm

## FITTING

Fitting type	Medium rectangular plate
Plate length	137 mm
Plate width	105 mm
Plate hole length (Minimum)	75 mm
Plate hole length (Maximum)	80 mm
Plate hole width (Minimum)	75 mm
Plate hole width (Maximum)	105 mm
Plate hole diameter	11 mm

# ALPHA

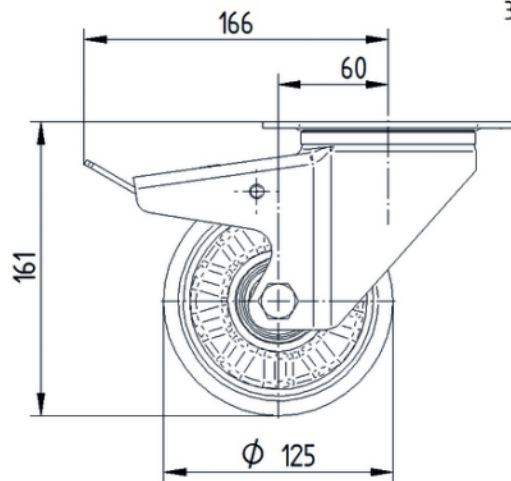
3477ITP125P63 CL60 OH161

EAN 4031582305203  
Order number 00031271



BETTER MOBILITY. BETTER LIFE.

## TECHNICAL DRAWINGS



3477ITP125P63

