



泰林線圈製造廠有限公司  
**THAI LIN RADIO COIL MFG. LTD.**

**Sample Specification**

Safety Approval(s)

- DIN EN 60938-2 (VDE 0565 Part 2-1)
- EN 60938-2
- IEC 60938-2

**Customer** : Fritz Schur Teknik AS

**Description** : Encapsulated Line Filter

**Part Number** : \_\_\_\_\_

**Thai Lin Type** : TL81-020-122

Approved By	Disposition	
	Accepted <input type="checkbox"/>	Conditional Approved <input type="checkbox"/>
	Rejected <input type="checkbox"/>	Specifications Revised <input type="checkbox"/>
Date:	(Please let us have your confirmation within next 14 working-days.)	

Date 05/MAY/2006  
 Released By *[Signature]*  
**MARKETING**  
 Thai Lin Radio Coil Mfg. Ltd.

Suggestion : Annu



WITH RoHS COMPLIED

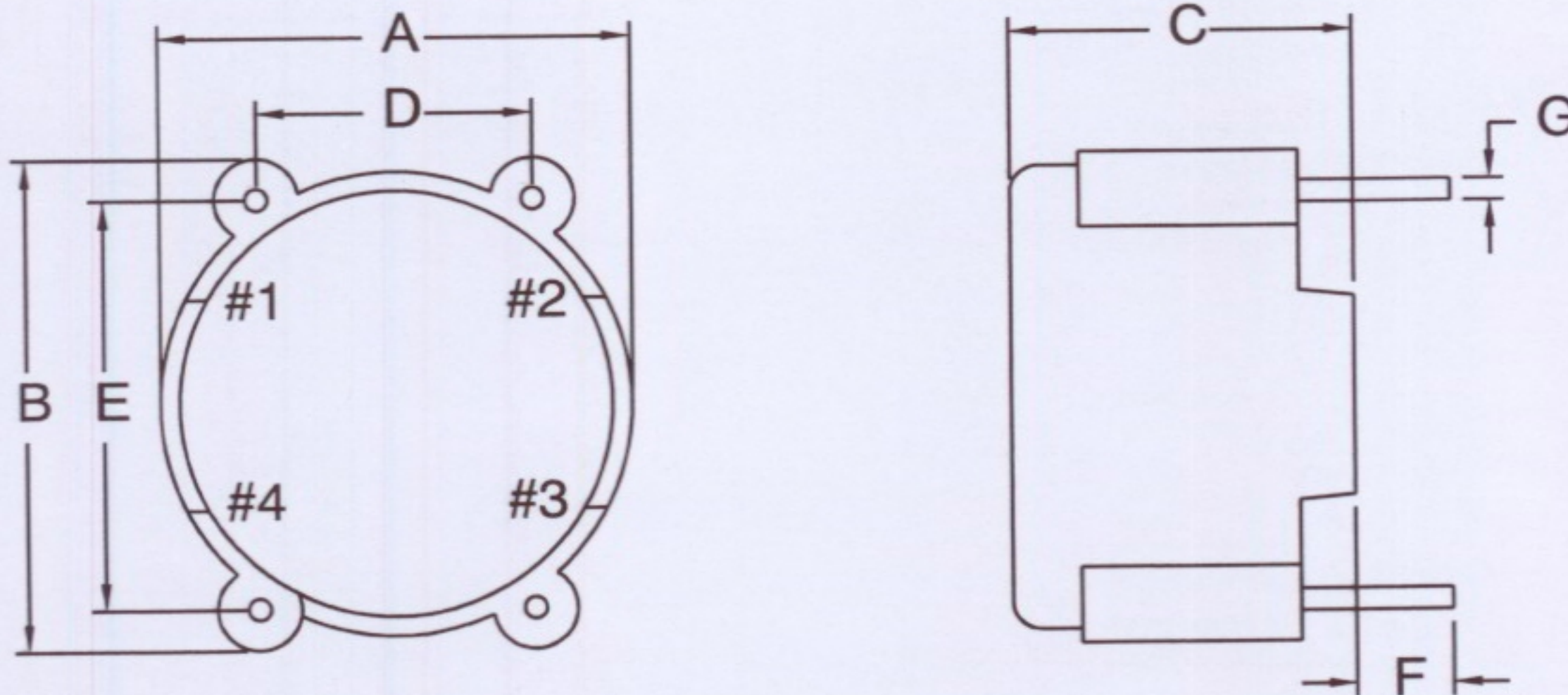
Date : 5 May, 2006



# THAI LIN RADIO COIL MFY. LTD.

<b>Thai Lin Type</b> :	TL81-020-122	<b>Date of Issue</b> :	30 Mar., 2006
<b>Description</b> :	Encapsulated Line Filter	<b>Prepared By</b> :	<i>Teaui</i>
<b>Revision</b> :	--	<b>Approved By</b> :	<i>Arms</i>

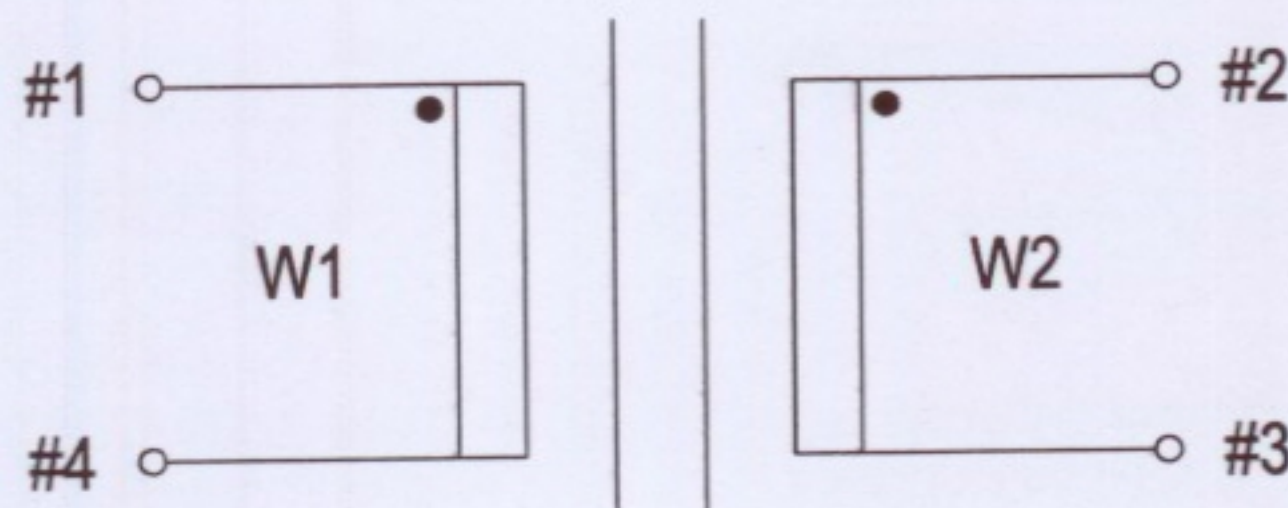
### (A) Physical Dimensions:



Note : Marking shows Thai Lin's name & part number.

	<b>A</b>	<b>B</b>	<b>C</b>	<b>D</b>	<b>E</b>	<b>F</b>	<b>G</b>
<b>Dimensions (mm)</b>	17.0	18.0	12.5	10.0	15.0	3.5	Ø0.8
<b>Tolerance (mm)</b>	±1.0	±1.0	±1.0	±0.5	±0.5	±0.5	±0.1

### (B) Electrical Schematic:



### (C) Winding Information:

<b>Item</b>	<b>Material</b>	<b>Start</b>	<b>Finish</b>	<b>Turns (Ref.)</b>
W1	Enameled Copper Wire, 2UEW Ø0.4mm	1	4	17
W2	Enameled Copper Wire, 2UEW Ø0.4mm	2	3	17



# THAI LIN RADIO COIL MFY. LTD.

Page 2 of 2

<b>Thai Lin Type</b> :	TL81-020-122	<b>Date of Issue</b> :	30 Mar., 2006
<b>Description</b> :	Encapsulated Line Filter	<b>Prepared By</b> :	<i>T. C. C.</i>
<b>Revision</b> :	--	<b>Approved By</b> :	<i>Amur</i>

### (D) Electrical Characteristics:

<b>Inductance (@1kHz / 0.3V)</b>	W1	1.2mH $\pm$ 30%
	W2	1.2mH $\pm$ 30%
<b>DC Resistance (@20°C)</b>	W1	75m $\Omega$ max.
	W2	75m $\Omega$ max.
<b>Dielectric Strength</b>	W - W	2400VAC, 50/60Hz, 3 seconds, 0.5mA max.

### (E) Suggested Information:

- a) *Turn ratio* : 1 : 1
- b) *Difference of induction on each side* : Not to exceed 1%
- c) *Rated current* : 2.0A
- d) *Rated voltage* : 250V ac
- e) *Impregnation* : Epoxy potting

### (F) Material List:

<i>Item</i>	<i>Material</i>	<i>Manufacturer</i>	<i>UL File</i>
<b>Core</b>	Ferrite core, 12.5 x 7 x 6.45 mm, 3E25; or equivalent	Ferroxcube; or other sources	--
<b>Cover</b>	TL81 Model (4 Pins), N66/GF	Ginar Chemical Co. Ltd.	E154352
<b>Winding</b>	Polyurethane Enameled copper wire, 2UEW	Pacific-Thai Electric Wire & Cable; or Hoi Luen Electrical Mfr. Co. Ltd.; or Tai-I Electric Wire & Cable Co. Ltd.	E142108 E164409 E85640
<b>Epoxy</b>	XN1181 / XN1101	Nagase Chemtex Corp.	E62465