

4

3

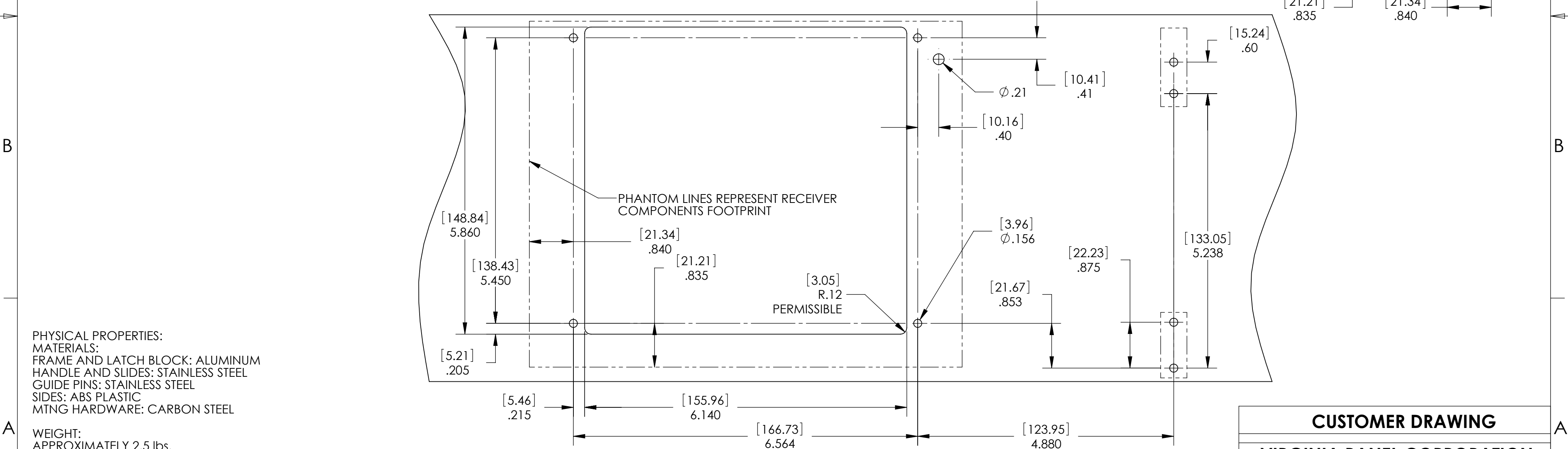
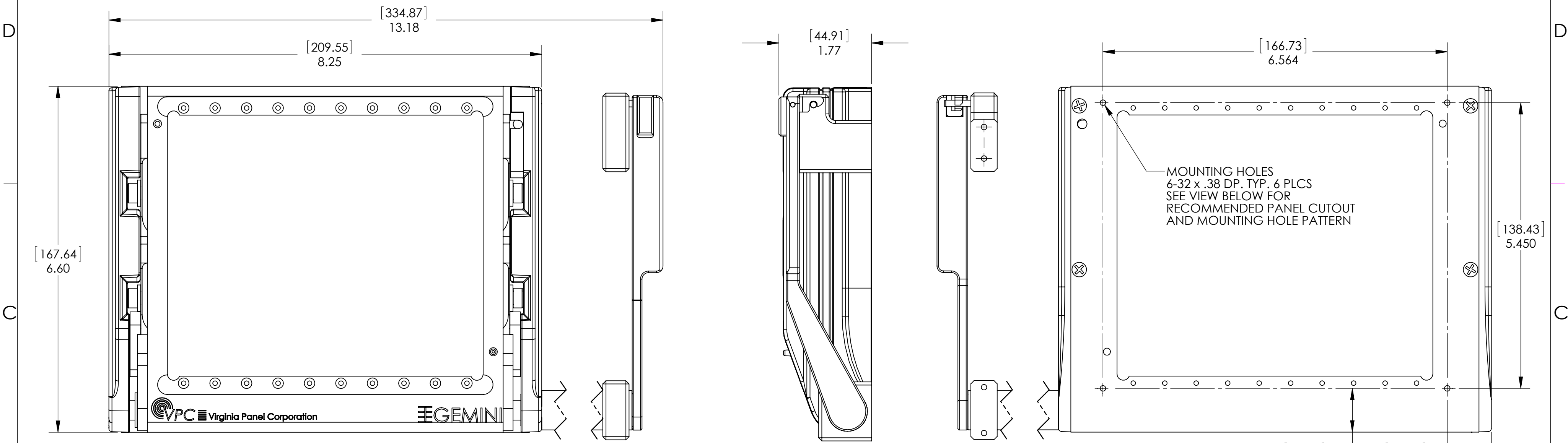
2

1

DO NOT SCALE DRAWING

THE INFORMATION CONTAINED HEREIN IS THE EXCLUSIVE PROPERTY OF VIRGINIA PANEL CORPORATION AND IS SUBMITTED FOR USE BY THE CUSTOMER ONLY. THE DATA SHALL NOT BE DUPLICATED, USED, OR DISCLOSED IN WHOLE OR IN PART FOR ANY PURPOSE OTHER THAN TO MAINTAIN THE EQUIPMENT PROVIDED. CONSULT WITH VIRGINIA PANEL CORPORATION ENGINEERING IF MORE DETAIL IS REQUIRED.

REVISIONS			
REV	DESCRIPTION	DATE	ENGR
F	EC 4304	10/22/12	S MARSHALL



PHYSICAL PROPERTIES:  
 MATERIALS:  
 FRAME AND LATCH BLOCK: ALUMINUM  
 HANDLE AND SLIDES: STAINLESS STEEL  
 GUIDE PINS: STAINLESS STEEL  
 SIDES: ABS PLASTIC  
 MTNG HARDWARE: CARBON STEEL

WEIGHT:  
 APPROXIMATELY 2.5 lbs.

4. INCLUDED MOUNTING HARDWARE: (8) 6-32 x .375 SOCKET HEAD CAP SCREWS, AND (8) #6 WASHERS.
3. (1) 3/32" ALLEN WRENCH INCLUDED FOR MODULE MOUNTING.
2. MOUNTING HARDWARE AND HANDLE LATCH BLOCK SHIPPED LOOSE.
1. FOR APPLICATION USE & CARE INFORMATION CONSULT VPC USERS GUIDE @WWW.VPC.COM

NOTES:

MATING ITA P/N's	PROTECTIVE COVER P/N	VERTICAL HINGE MOUNTING FRAME
410104272	310113154	310113342
410104123		

DIMENSIONS ARE SHOWN AS:  
 [MILLIMETERS]  
 INCHES

**CUSTOMER DRAWING**

**VIRGINIA PANEL CORPORATION**  
 WWW.VPC.COM

**EXTENDED HANDLE, RIGHT  
 10 MODULE RECEIVER**

SIZE C	CAGE CODE 18117	DWG. NO. 310104360	REV F
SCALE: 1:2		310104360	1/25/06 SHEET 1 OF 1

4

3

2

1