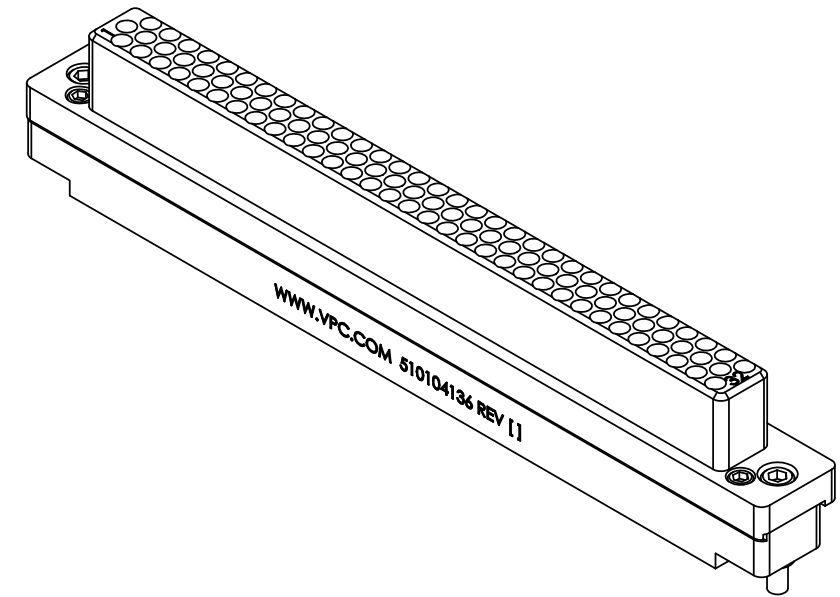
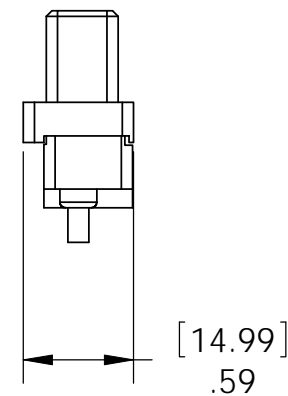
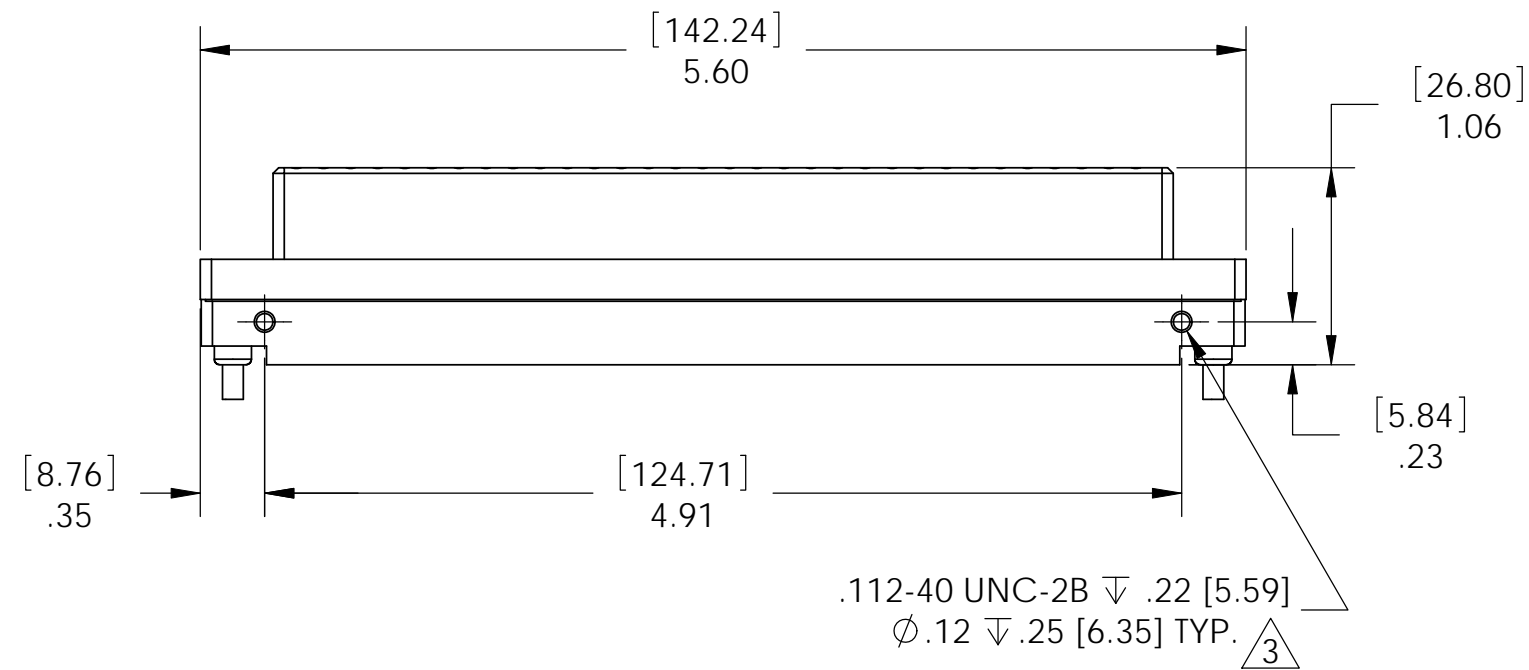
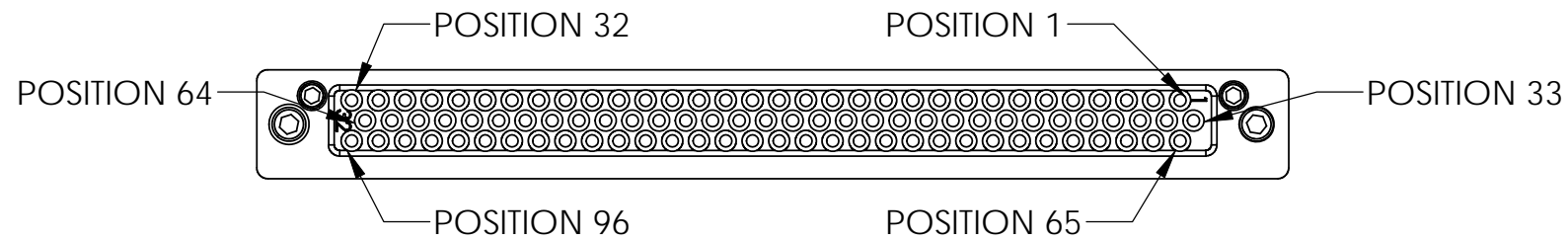


DO NOT SCALE DRAWING

THE INFORMATION CONTAINED HEREIN IS THE EXCLUSIVE PROPERTY OF VIRGINIA PANEL CORPORATION AND IS SUBMITTED FOR USE BY THE CUSTOMER ONLY. THE DATA SHALL NOT BE DUPLICATED, USED, OR DISCLOSED IN WHOLE OR IN PART FOR ANY PURPOSE OTHER THAN TO MAINTAIN THE EQUIPMENT PROVIDED. CONSULT WITH VIRGINIA PANEL CORPORATION ENGINEERING IF MORE DETAIL IS REQUIRED.

REVISIONS			
REV	DESCRIPTION	DATE	ENGR
F	ECN #09-510-0015	2/24/09	BAL



PART #510104136

CUSTOMER DRAWING

VIRGINIA PANEL CORPORATION
WWW.VPC.COM

SIGNAL MODULE, RECEIVER, TRIPADDLE
96 POSITION

- $\triangle 3$ TAPPED HOLES FOR USE WITH STRAIN RELIEF PLATE. MAX TORQUE IS 2 IN-LBS [.225 N-m]
 2. USE WITH STRAIN RELIEF P/N 510 109 116.
 1. FOR APPLICATION USE AND CARE INFORMATION CONSULT VPC USERS GUIDE @ WWW.VPC.COM
- NOTES:

DIMENSIONS ARE SHOWN AS: [MILLIMETERS] INCHES	SIZE	CAGE CODE	DWG.NO.	REV
	B	18117	414720000	F
SCALE: 1:1		414720000	10/20/92	SHEET 1 OF 1