

4

3

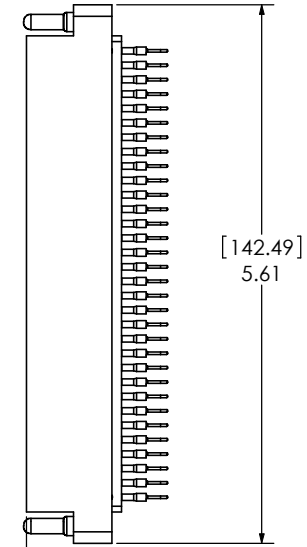
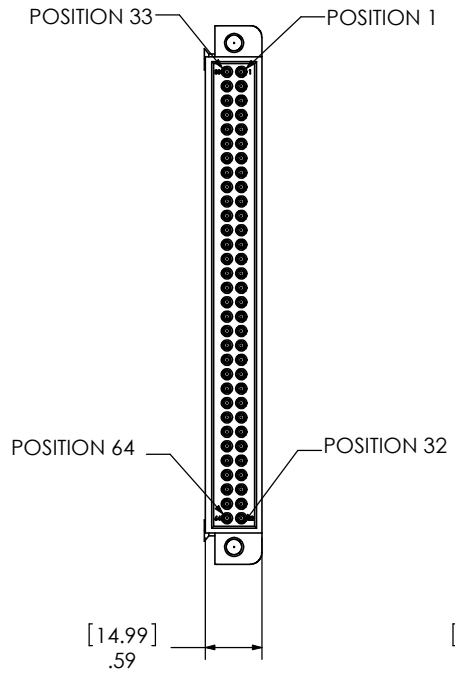
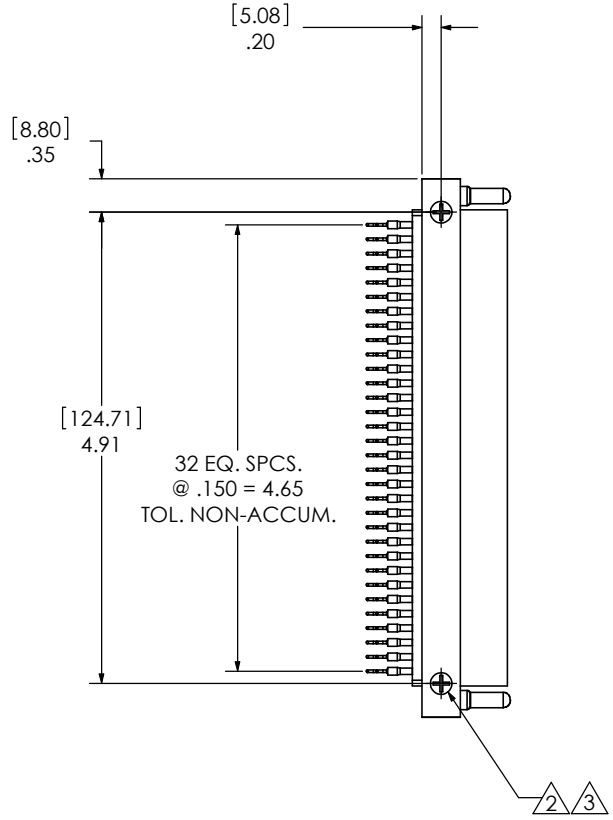
2

1

DO NOT SCALE DRAWING

THE INFORMATION CONTAINED HEREIN IS THE EXCLUSIVE PROPERTY OF VIRGINIA PANEL CORPORATION AND IS SUBMITTED FOR USE BY THE CUSTOMER ONLY. THE DATA SHALL NOT BE DUPLICATED, USED, OR DISCLOSED IN WHOLE OR IN PART FOR ANY PURPOSE OTHER THAN TO MAINTAIN THE EQUIPMENT PROVIDED. CONSULT WITH VIRGINIA PANEL CORPORATION ENGINEERING IF MORE DETAIL IS REQUIRED.

REVISIONS			
REV	DESCRIPTION	DATE	ENGR
G	ECN# 09-510-0014	2/20/09	G LACONI



PART # 510108112

- 3 PCB MOUNTING HARDWARE INCLUDED (4-40 FLAT HEAD PHILLIPS).
  - 2 MAXIMUM TORQUE WHEN INSTALLING A PRINTED CIRCUIT BOARD IS 2 IN-LBS. [0.225 N-m].
1. FOR APPLICATION USE & CARE INFORMATION CONSULT VPC USERS GUIDE @WWW.VPC.COM

NOTES:

**CUSTOMER DRAWING**

**VIRGINIA PANEL CORPORATION**  
WWW.VPC.COM

SIGNAL MODULE, ITA, TRIPADDLE  
64 POSITION WITH RIGHT ANGLE CONTACTS  
FOR CUSTOM PCB MOUNTING

DIMENSIONS ARE SHOWN AS:	SIZE	CAGE CODE	DWG. NO.	REV
[MILLIMETERS]	C	18117	345504000	G
[INCHES]	SCALE: 2:1   345504000   10/26/89   SHEET 1 OF 1			

4

3

2

1