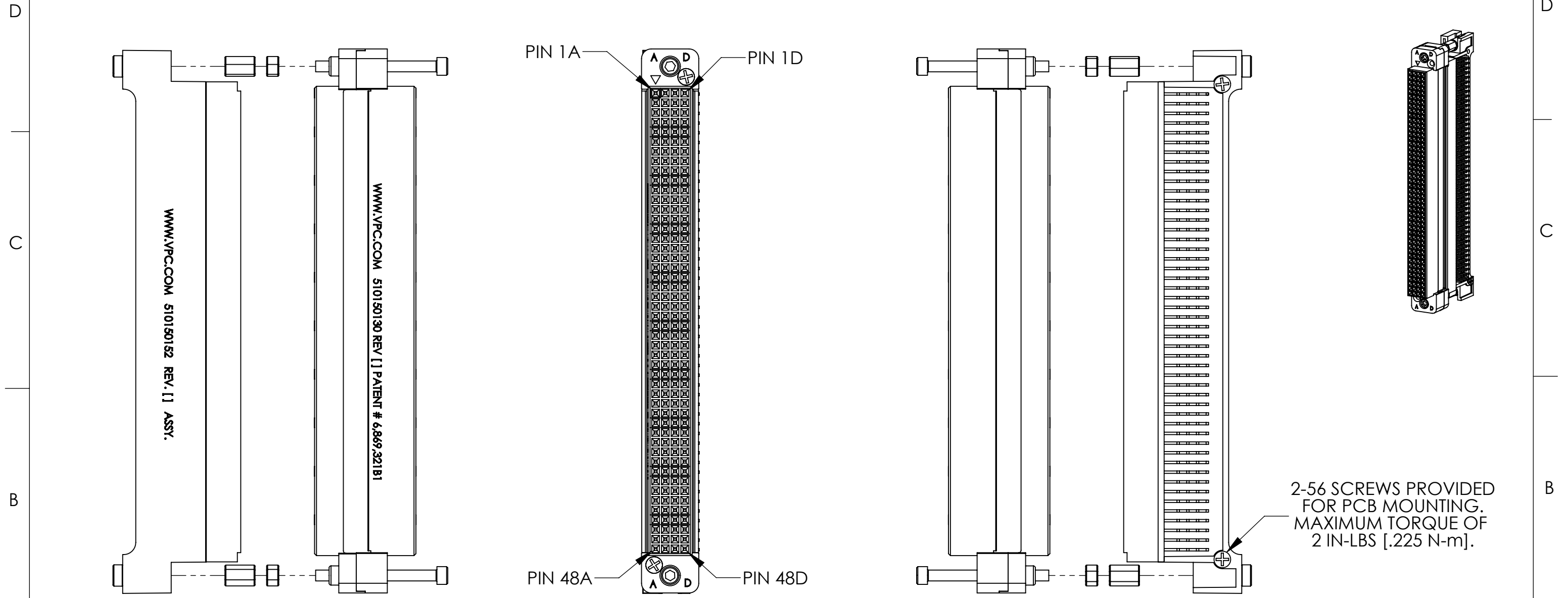


DO NOT SCALE DRAWING

THE INFORMATION CONTAINED HEREIN IS THE EXCLUSIVE PROPERTY OF VIRGINIA PANEL CORPORATION AND IS SUBMITTED FOR USE BY THE CUSTOMER ONLY. THE DATA SHALL NOT BE DUPLICATED, USED, OR DISCLOSED IN WHOLE OR IN PART FOR ANY PURPOSE OTHER THAN TO MAINTAIN THE EQUIPMENT PROVIDED. CONSULT WITH VIRGINIA PANEL CORPORATION ENGINEERING IF MORE DETAIL IS REQUIRED.

REVISIONS			
REV	DESCRIPTION	DATE	ENGR
D	ECN #4511	3/14/13	S MARSHALL

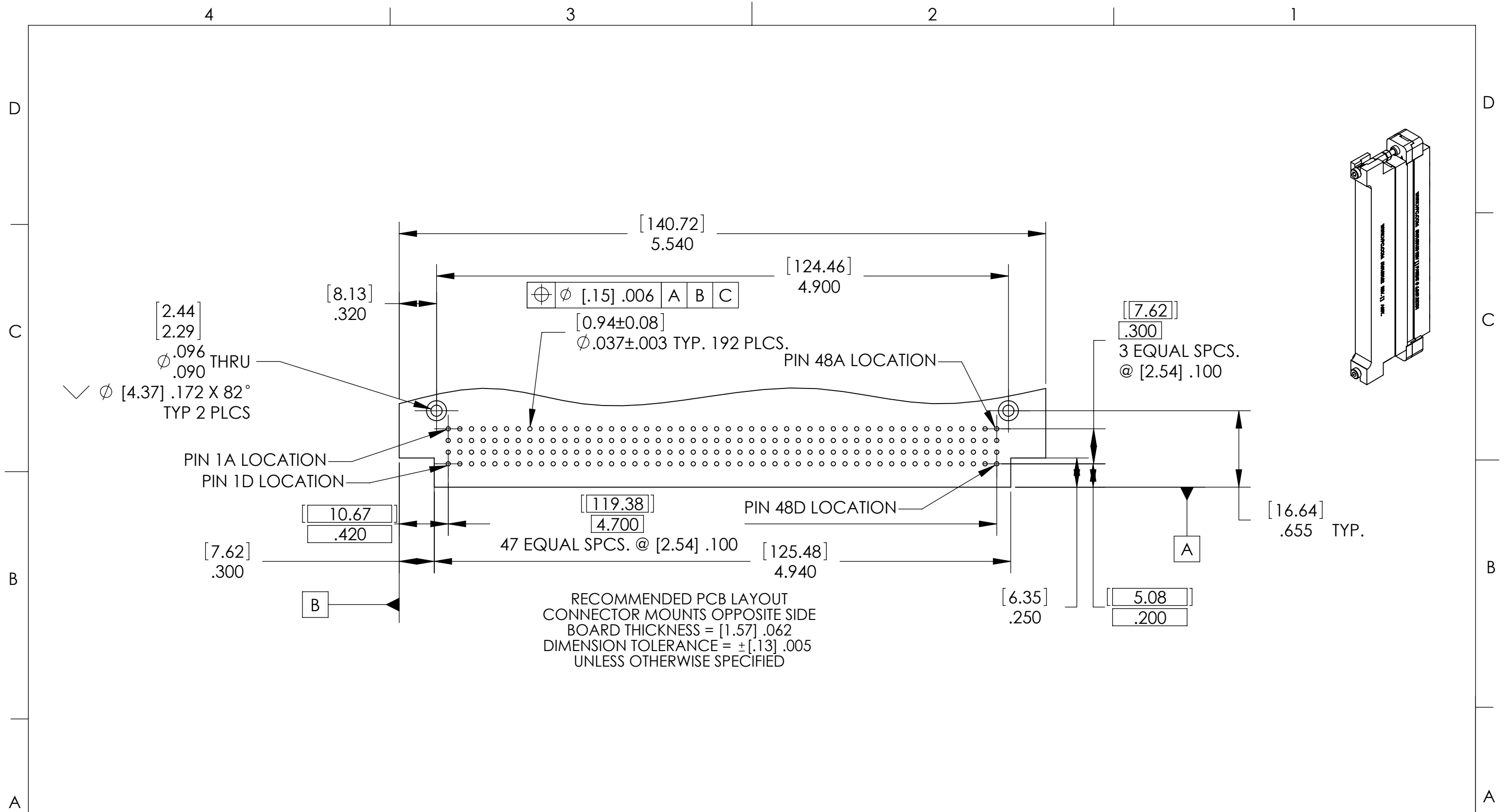


2-56 SCREWS PROVIDED FOR PCB MOUNTING. MAXIMUM TORQUE OF 2 IN-LBS [.225 N-m].

- 4 ALL NECESSARY HARDWARE FOR ASSEMBLY SUPPLIED IN KIT
- 3 CUSTOMER PCB MUST BE MANUFACTURED WITH (HEADER) INSTALLATION AREA COMPLYING TO RECOMMENDED PCB LAYOUT AS SHOWN ON PAGE 2
- 2 MATERIALS:  
 HARDWARE: STAINLESS STEEL SCREWS  
 BRASS ALLOY STANDOFFS Ni PLATED  
 SHROUD: PEI  
 HEADER - INSULATOR: GLASS FILLED PET BLACK THERMOPLASTIC  
 CONTACT: PHOSPHOR BRONZE ALLOY  
 CONTACT PLATING IN MATING AREA: .00003 in. Au OVER .00005 in. Ni
- 1 FOR APPLICATION USE AND CARE INFORMATION CONSULT VPC USERS GUIDE @ WWW.VPC.COM

NOTES:

<b>CUSTOMER DRAWING</b>			
<b>VIRGINIA PANEL CORPORATION</b> WWW.VPC.COM			
Signal Module, Receiver, 192 Position QuadraPaddle with Right Angle Contacts for Custom PCB Mounting			
DIMENSIONS ARE SHOWN AS:	SIZE	CAGE CODE	DWG.NO.
[MILLIMETERS]	B	18117	510150152
INCHES			
	SCALE: NONE	510150152	6/2/06 SHEET 1 OF 2



**CUSTOMER DRAWING - CUSTOMER DRAWING - CUSTOMER DRAWING**

THE INFORMATION CONTAINED HEREIN IS THE EXCLUSIVE PROPERTY OF VIRGINIA PANEL CORPORATION AND IS SUBMITTED FOR USE BY THE CUSTOMER ONLY. THE DATA SHALL NOT BE DUPLICATED, USED, OR DISCLOSED IN WHOLE OR IN PART FOR ANY PURPOSE OTHER THAN TO MAINTAIN THE EQUIPMENT PROVIDED.

SIZE <b>B</b>	CAGE CODE <b>18117</b>	DWG.NO. <b>510150152</b>	REV <b>D</b>
SCALE: NONE		510150152 6/2/06	SHEET 2 OF 2

DO NOT SCALE DRAWING

4

3

2

1

D

C

B

A

D

C

B

A

[2.44]  
[2.29]

∅.096 THRU  
∅.090  
∅ [4.37] .172 X 82°  
TYP 2 PLCS

[8.13]  
.320

[140.72]  
5.540

⊕ ∅ [0.15] .006 A B C

[0.94±0.08]  
∅.037±.003 TYP. 192 PLCS.

[124.46]  
4.900

PIN 48A LOCATION

[7.62]

.300  
3 EQUAL SPCS.  
@ [2.54] .100

PIN 1A LOCATION

PIN 1D LOCATION

[10.67]  
.420

[119.38]  
4.700

47 EQUAL SPCS. @ [2.54] .100

PIN 48D LOCATION

[125.48]  
4.940

[16.64]  
.655 TYP.

[7.62]  
.300

B

RECOMMENDED PCB LAYOUT  
CONNECTOR MOUNTS OPPOSITE SIDE  
BOARD THICKNESS = [1.57] .062  
DIMENSION TOLERANCE = ±[.13] .005  
UNLESS OTHERWISE SPECIFIED

[6.35]  
.250

[5.08]  
.200

4

3

2

1