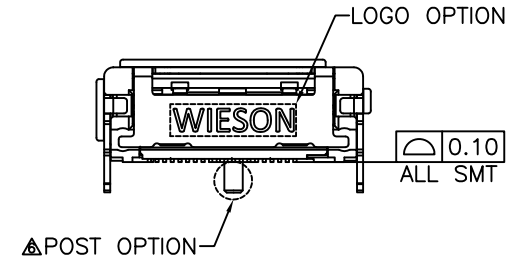
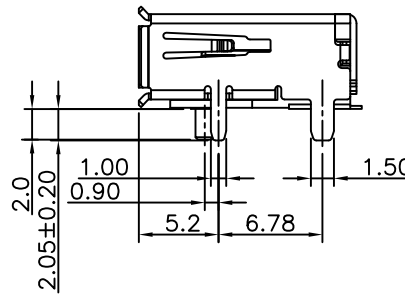
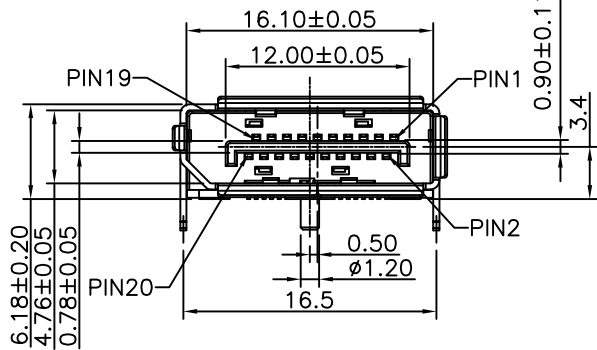
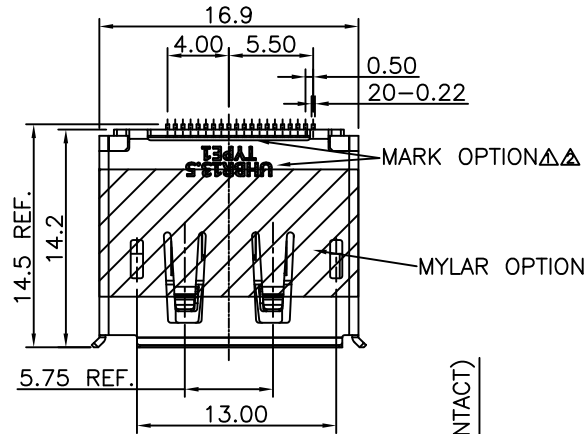


RoHS Compliant

AC3167-02 SERIES Enh DISPLAY PORT 2.1 SOCKET CONNECTOR SMT TYPE

REV	DATE	DESCRIPTION	ECN NO.	NAME
A4	21.12.08	PROPOSAL		JIN
B	22.12.12	△MODIFY SHELL AND ADD MARK	ECR22C0960	WCQUAN
C	23.07.04	△ADD MARK OPTION		WCQUAN
D	23.12.18	△ADD SPRING OPTION	ECR23C0956	WCQUAN
E	24.01.18	△ADD PLATING OPTION	ECR2410038	WCQUAN
F	24.09.21	△ADD OPTION	ECR2490674	WCQUAN
G	25.04.29	△ADD POST OPTION	ECR2540309	WCQUAN

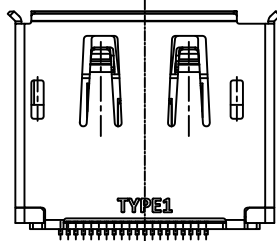
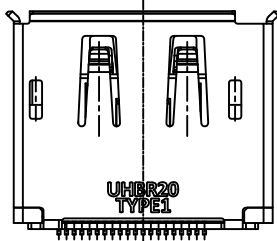
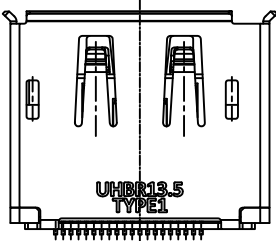


MARK OPTION

UHBR13.5 TYPE1

UHBR20 TYPE1

TYPE1 △



SHELL MATERIAL OPTION (COPPER ALLOY)

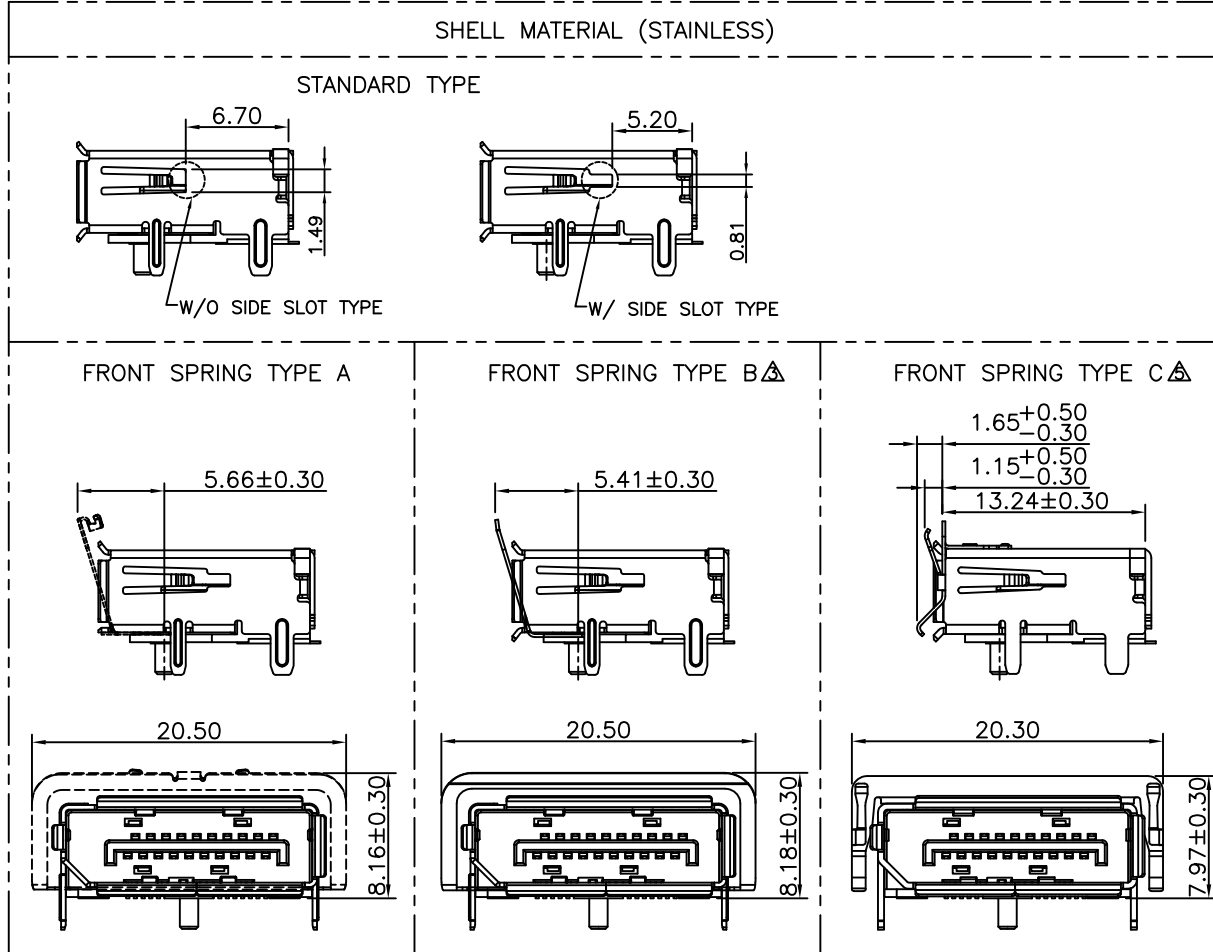
CUST NO.:

GENERAL TOLERANCE		WIESON TECHNOLOGIES CO., LTD WIESON	PART NO.:	
X.X	=±0.20		AC3167-02XXXXXX-XX	
X.XX	=±0.15	DRAWN BY	JIN	STANDARD NO.
X.X*	=±3'	CHECKED BY	YXJ	AC3167-02XXXXXX-XX
		APPROVED BY	JIM	DRAWING SIZE
		SORTING NO.	WSC	2 : 1 A4
				UNIT
				mm
				PAGE
				2 OF 5

RoHS Compliant

AC3167-02 SERIES Enh DISPLAY PORT 2.1 SOCKET CONNECTOR SMT TYPE

REV	DATE	DESCRIPTION	ECN NO.	NAME
A4	21.12.08	PROPOSAL		JIN
B	22.12.12	△MODIFY SHELL AND ADD MARK	ECR22C0960	WCQUAN
C	23.07.04	△ADD MARK OPTION		WCQUAN
D	23.12.18	△ADD SPRING OPTION	ECR23C0956	WCQUAN
E	24.01.18	△ADD PLATING OPTION	ECR2410038	WCQUAN
F	24.09.21	△ADD OPTION	ECR2490674	WCQUAN
G	25.04.29	△ADD POST OPTION	ECR2540309	WCQUAN



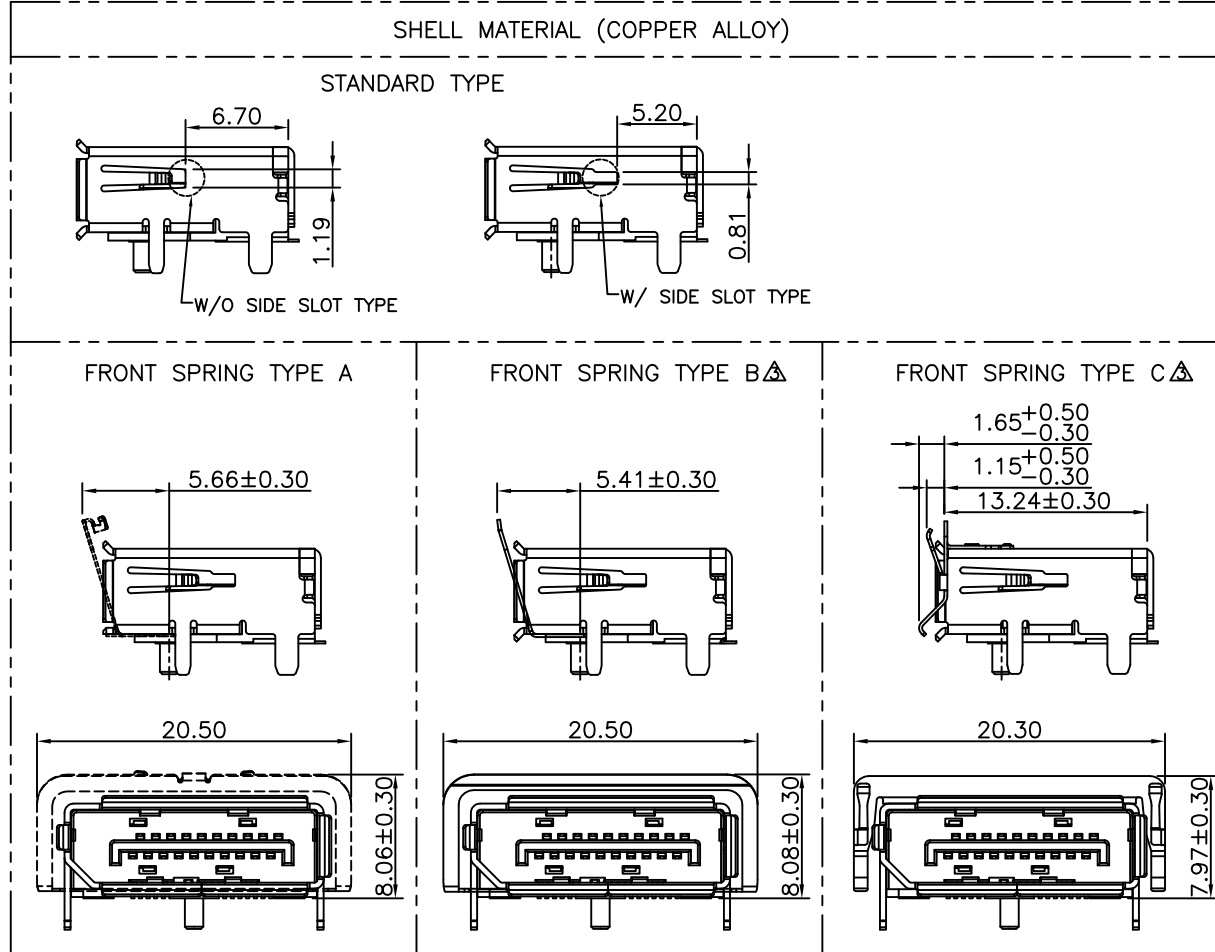
CUST NO.:

<p>GENERAL TOLERANCE</p> <p>X.X = ±0.20</p> <p>X.XX = ±0.15</p> <p>X.X* = ±3°</p>	<p>WIESON TECHNOLOGIES CO., LTD</p>		<p>PART NO.:</p> <p>AC3167-02XXXXXX-XX</p>	
	<p>DRAWN BY</p> <p>JIN</p>	<p>STANDARD NO.</p> <p>AC3167-02XXXXXX-XX</p>		<p>DRAWING SIZE</p> <p>2 : 1 A4</p>
	<p>CHECKED BY</p> <p>YXJ</p>	<p>UNIT</p> <p>mm</p>		<p>PAGE</p> <p>3 OF 5</p>
	<p>APPROVED BY</p> <p>JIM</p>	<p>SORTING NO.</p> <p>WSC</p>		

RoHS Compliant

AC3167-02 SERIES Enh DISPLAY PORT 2.1 SOCKET CONNECTOR SMT TYPE

REV	DATE	DESCRIPTION	ECN NO.	NAME
A4	21.12.08	PROPOSAL		JIN
B	22.12.12	△MODIFY SHELL AND ADD MARK	ECR22C0960	WCQUAN
C	23.07.04	△ADD MARK OPTION		WCQUAN
D	23.12.18	△ADD SPRING OPTION	ECR23C0956	WCQUAN
E	24.01.18	△ADD PLATING OPTION	ECR2410038	WCQUAN
F	24.09.21	△ADD OPTION	ECR2490674	WCQUAN
G	25.04.29	△ADD POST OPTION	ECR2540309	WCQUAN



CUST NO.:

<p>GENERAL TOLERANCE</p> <p>X.X = ±0.20</p> <p>X.XX = ±0.15</p> <p>X.X* = ±3°</p>	<p> WIESON TECHNOLOGIES CO., LTD</p>		<p>PART NO.:</p> <p>AC3167-02XXXXXX-XX</p>	
	DRAWN BY	JIN	STANDARD NO.	AC3167-02XXXXXX-XX
	CHECKED BY	YXJ	DRAWING SIZE	2 : 1 A4
	APPROVED BY	JIM	UNIT	mm
	SORTING NO.	WSC	PAGE	4 OF 5

RoHS Compliant

AC3167-02 SERIES Enh DISPLAY PORT 2.1 SOCKET CONNECTOR SMT TYPE

REV	DATE	DESCRIPTION	ECN NO.	NAME
A4	21.12.08	PROPOSAL		JIN
B	22.12.12	△MODIFY SHELL AND ADD MARK	ECR22C0960	WCQUAN
C	23.07.04	△ADD MARK OPTION		WCQUAN
D	23.12.18	△ADD SPRING OPTION	ECR23C0956	WCQUAN
E	24.01.18	△ADD PLATING OPTION	ECR2410038	WCQUAN
F	24.09.21	△ADD OPTION	ECR2490674	WCQUAN
G	25.04.29	△ADD POST OPTION	ECR2540309	WCQUAN

NOTE

1.MATERIAL:

ALL TERMINALS: COPPER ALLOY.
 ALL HOUSING & MOLDING: HIGH THERMOPLASTIC, UL94V-0, BLACK.
 MAIN SHELL: SEE ORDER INFORMATION.
 FRONT SPRING(OPTION): STAINLESS STEEL.

2.PLATING:

ALL TERMINALS : SEE ORDER INFORMATION, Ni UNDERPLATED OVERALL.
 MAIN SHELL: WELDABLE Ni PLATED OVERALL.

3.PACKING: TAPE & REEL.

△△4.ORDER INFORMATION : AC3167-02 X X X X X X - XX.
 ① ② ③ ④ ⑤ ⑥ ⑦

- ① 0 UHBR13.5 TYPE1 △
- 1 UHBR20 TYPE1 △
- 2 TYPE1 △

- ② 0 W/O MYLAR ; W/ POST
- 1 W/ MYLAR ; W/ POST
- 2 W/O MYLAR ; W/O POST △
- 3 W/ MYLAR ; W/O POST △

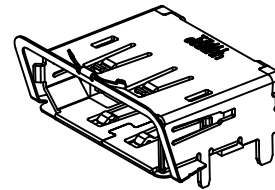
- ③ 0 STANDARD TYPE ; W/O SLOT
- 1 STANDARD TYPE ; W/ SLOT
- 2 FRONT SPRING TYPE A ; W/O SLOT
- 3 FRONT SPRING TYPE A ; W/ SLOT
- 4 FRONT SPRING TYPE B ; W/ SLOT △
- 5 FRONT SPRING TYPE C ; W/ SLOT ; Ni PLATED △

- ④ 0 STAINLESS SHELL ; W/O LOGO
- 1 STAINLESS SHELL ; W/ LOGO
- 2 COPPER ALLOY SHELL ; W/O LOGO
- 3 COPPER ALLOY SHELL ; W/ LOGO

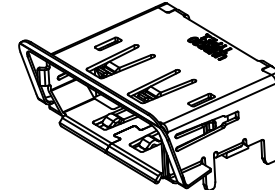
- ⑤ 0 80u" MIN. Sn PLATED ON SOLDER AREA
- 1 80u" MIN. MATTE Sn PLATED ON SOLDER AREA
- 2 GOLD FLASH PLATED ON OTHERS AREA

- ⑥ 1 GOLD FLASH PLATED ON CONTACT AREA △
- 2 5u" Au PLATED ON CONTACT AREA
- 3 15u" Au PLATED ON CONTACT AREA
- 4 30u" Au PLATED ON CONTACT AREA
- 5 1u" Au PLATED ON CONTACT AREA △

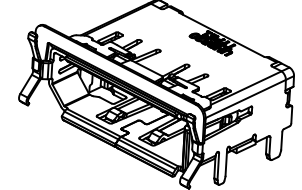
- ⑦ 00 RoHS
- HH HALOGEN FREE ; HIGH TEMP.



FRONT SPRING TYPE A



FRONT SPRING TYPE B



FRONT SPRING TYPE C

AC3167-02205311-HH

GENERAL TOLERANCE		WIESON TECHNOLOGIES CO., LTD		CUST NO.:	
X.X	=±0.20	DRAWN BY	JIN	PART NO.:	
X.XX	=±0.15	CHECKED BY	YXJ	AC3167-02XXXXXX-XX	
X.X*	=±3'	APPROVED BY	JIM	STANDARD NO.	AC3167-02XXXXXX-XX
		SORTING NO.	WSC	DRAWING SIZE	2 : 1 A4
			UNIT	mm	
			PAGE	5 OF 5	