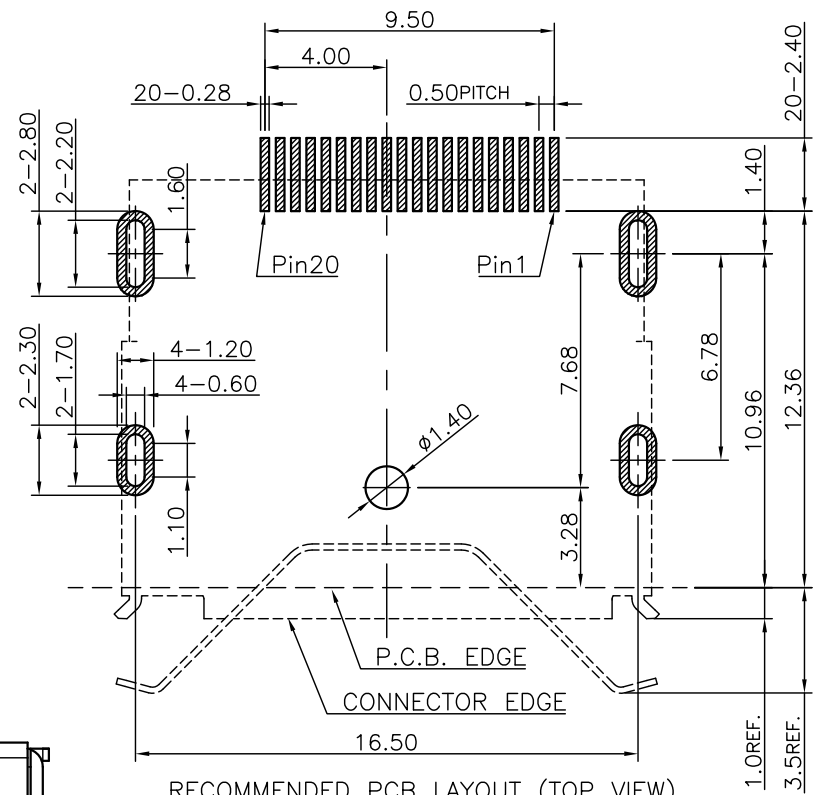
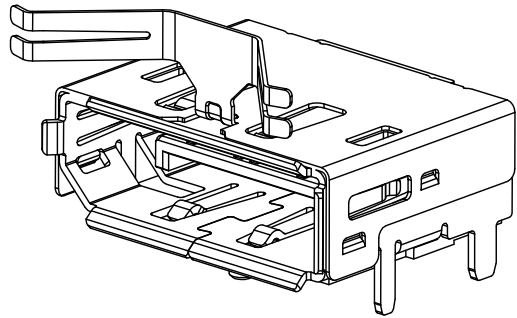
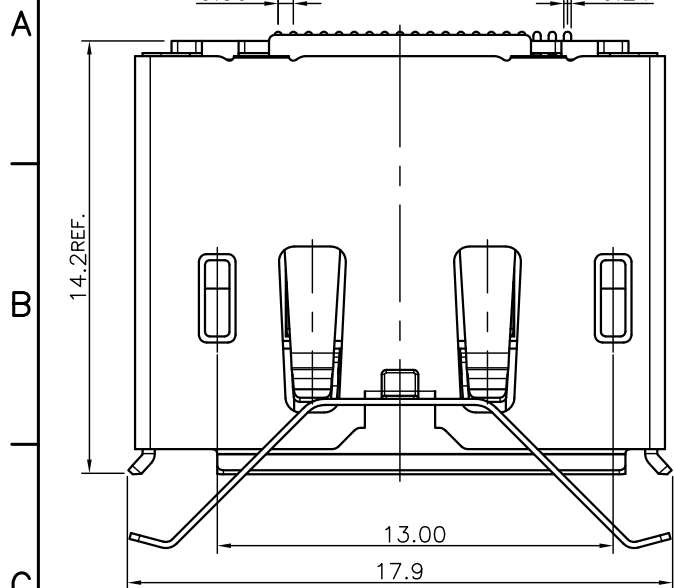


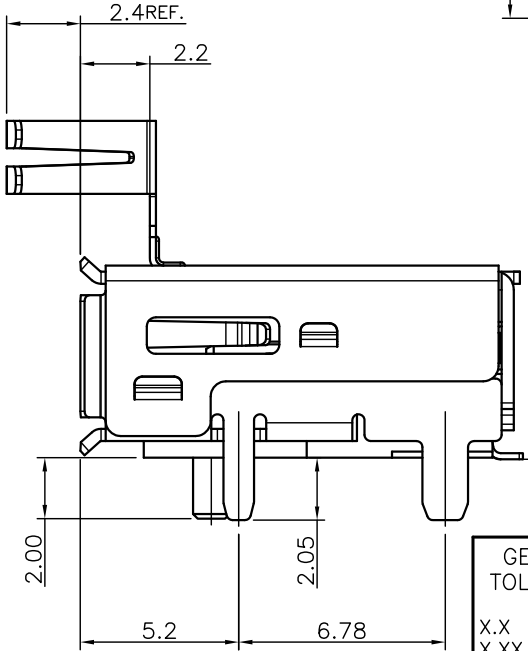
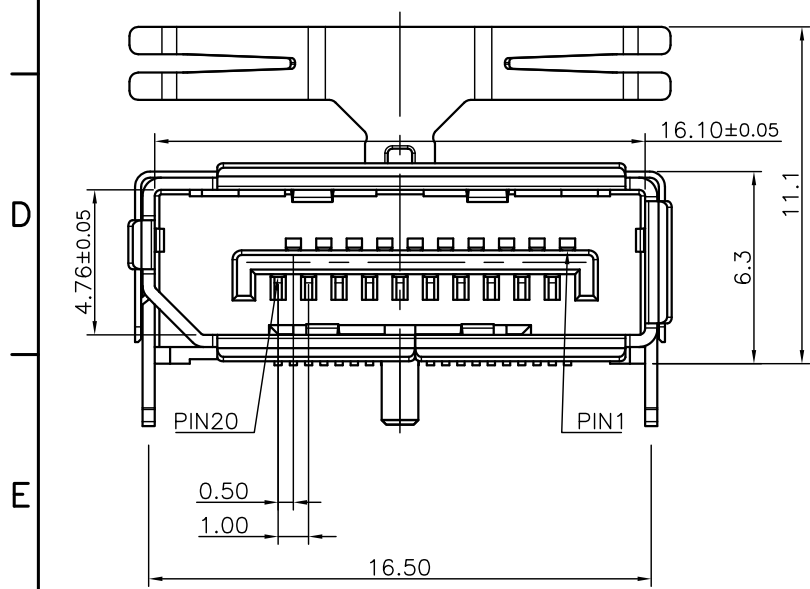
HF Compliant

3167 SERIES DISPLAY PORT CONNECTOR SMT WITH SPRING TYPE

REV	DATE	DESCRIPTION	ECN NO.	NAME
A	14.01.21	NEW RELEASE		SAM HO



RECOMMENDED PCB LAYOUT (TOP VIEW)
TOLERANCE: ±0.05mm ; RECOMMENDED PCB THICKNESS: 1.60mm



<p>GENERAL TOLERANCE</p> <p>X.X = ±0.20</p> <p>X.XX = ±0.15</p> <p>X.X' = ±3'</p>	<p>WIESON TECHNOLOGIES CO., LTD</p> <p>WIESON</p>		<p>PART NO.: G3167-21XXXXXX-H0</p>	
	<p>DRAWN BY</p>	<p>SAM HO (WST)</p>	<p>DRAWING NO.</p>	<p>G3167-21XXXXXX-H0</p>
	<p>CHECKED BY</p>	<p>SKY</p>	<p>DRAWING SIZE</p>	<p>4 : 1 A4</p>
	<p>APPROVED BY</p>	<p>JIM</p>	<p>UNIT</p>	<p>mm</p>
	<p>SORTING NO.</p>	<p>WSC</p>	<p>PAGE</p>	<p>1 OF 2</p>

ISSUED

1

2

3

4

HF Compliant

3167 SERIES DISPLAY PORT CONNECTOR SMT WITH SPRING TYPE

REV	DATE	DESCRIPTION	ECN NO.	NAME
A	14.01.21	NEW RELEASE		SAM HO

A

NOTES:

1.MATERIAL :

- TERMINAL : COPPER ALLOY , T=0.2mm.
- SHELL : COPPER ALLOY , T=0.4mm.
- HOUSING : THERMOPLASTIC(UL94V-0) , BLACK.
- SPRING : STAINLESS STEEL , T=0.2mm.

2.PLATING :

- TERMINAL : SELECTIVE Au PLATED ON CONTACT AREA(ORDER INFORMATION),
100u" Sn PLATED ON SOLDER TAIL AREA,
BOTH OVER SELECTIVE Ni UNDERPLATED OVERALL.(ORDER INFORMATION).
- SHELL : SELECTIVE SOLDERABLE Ni OVERALL(ORDER INFORMATION).

3.PACKING : TAPE&REEL.

4.ORDER INFORMATION : G3167-21 XX XX XX -H0

編碼原則 :

① ② ③

- ① { 00 : W/O WIESON LOGO
- 01 : W/ WIESON LOGO

- ② { 00 : 30u"~80u"Ni PLATED OVERALL.(SHELL)
- 01 : 60u"~100u"Ni PLATED OVERALL.(SHELL)

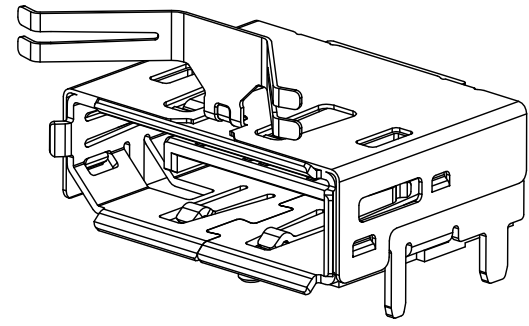
- ③ { 01 : G/F Au ON CONTACT AREA, 60u"Ni UNDERPLATED OVERALL.
- 02 : 3u" Au ON CONTACT AREA, 60u"Ni UNDERPLATED OVERALL.
- 03 : 5u" Au ON CONTACT AREA, 60u"Ni UNDERPLATED OVERALL.
- 04 : 15u" Au ON CONTACT AREA, 60u"Ni UNDERPLATED OVERALL.
- 05 : 30u" Au ON CONTACT AREA, 60u"Ni UNDERPLATED OVERALL.
- 06 : 2u" Au ON CONTACT AREA, 30u"Ni+Pd UNDERPLATED OVERALL.
- 11 : G/F Au ON CONTACT AREA, 50u"Ni UNDERPLATED OVERALL.
- 12 : 3u" Au ON CONTACT AREA, 50u"Ni UNDERPLATED OVERALL.
- 13 : 5u" Au ON CONTACT AREA, 50u"Ni UNDERPLATED OVERALL.
- 14 : 15u" Au ON CONTACT AREA, 50u"Ni UNDERPLATED OVERALL.
- 15 : 30u" Au ON CONTACT AREA, 50u"Ni UNDERPLATED OVERALL.

B

C

D

E



GENERAL TOLERANCE	WIESON TECHNOLOGIES CO., LTD		PART NO.: G3167-21XXXXXX-H0	
	WIESON		DRAWING NO. G3167-21XXXXXX-H0	
X.X = ±0.20	DRAWN BY	SAM HO (WST)	DRAWING SIZE	4 : 1 A4
X.XX = ±0.15	CHECKED BY	SKY	UNIT	mm
X.X* = ±3'	APPROVED BY	JIM	PAGE	2 OF 2
	SORTING NO.	WSC		

[ISSUED]