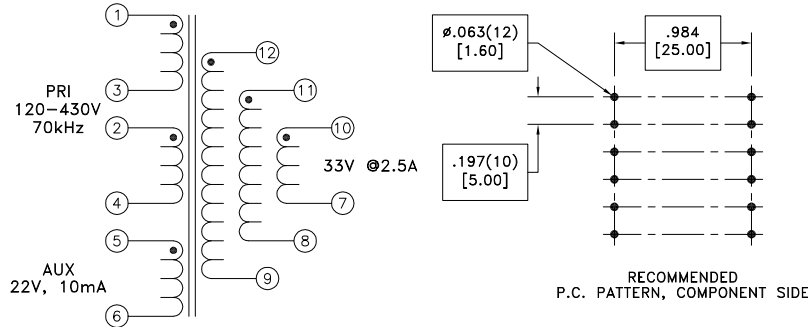
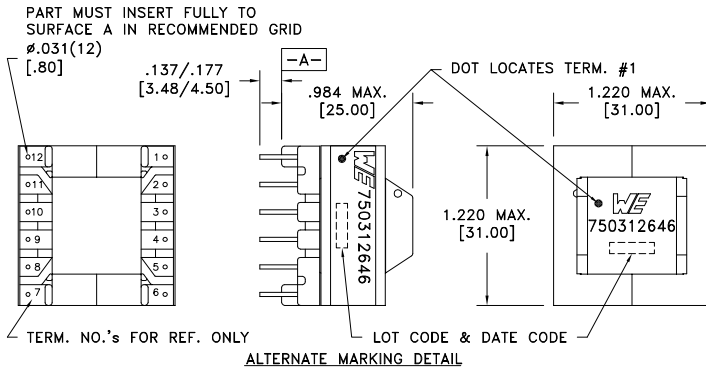


CUSTOMER TERMINAL	RoHS	LEAD(Pb)-FREE
Sn96%, Ag4%	Yes	Yes

more than you expect



ELECTRICAL SPECIFICATIONS @ 25°C unless otherwise noted:

PARAMETER	TEST CONDITIONS	VALUE
D.C. RESISTANCE	1-4 tie(2+3), @20°C	0.110 ohms max.
D.C. RESISTANCE	5-6 @20°C	0.133 ohms ±10%
D.C. RESISTANCE	7-10 @20°C	0.030 ohms max.
D.C. RESISTANCE	8-11 @20°C	0.030 ohms max.
D.C. RESISTANCE	9-12 @20°C	0.030 ohms max.
INDUCTANCE	1-4 tie(2+3), 10kHz, 100mVAC, Ls	200uH ±10%
SATURATION CURRENT	20% rolloff from initial	6A
LEAKAGE INDUCTANCE	1-4 tie(2+3, 5+6, 7+8+9+10+11+12), 100kHz, 100mVAC, Ls	2.5uH typ., 5.0uH max.
DIELECTRIC	1-12 tie(2+3, 4+5, 10+11+12), 1875VAC, 1 second	1500VAC, 1 minute
DIELECTRIC	1-5 tie(2+3), 1250VAC, 1 second	1000VAC, 1 minute
TURNS RATIO	(1-4):(12-9), tie(2+3)	4:1, ±1% or 12:3
TURNS RATIO	(1-4):(11-8), tie(2+3)	4:1, ±1%
TURNS RATIO	(1-4):(10-7), tie(2+3)	4:1, ±1%
TURNS RATIO	(1-4):(5-6), tie(2+3)	6:1, ±1% or 12:2
TURNS RATIO	(1-3):(2-4)	1:1, ±1%

GENERAL SPECIFICATIONS:

OPERATING TEMPERATURE RANGE: -40°C to +125°C including temp rise.

Designed to comply with the following requirements as defined by IEC60950-1, EN60950-1, UL60950-1/CSA60950-1 and AS/NZS60950.1:

- Functional insulation for a primary circuit.

Footprint: XFMR\_750811248

Wire insulation & RoHS status not affected by wire color.  
Wire insulation color may vary depending on availability.

REV.	DATE	Packaging Specifications Method: Tray PKG-0872 www.we-online.com/midcom		Tolerances unless otherwise specified: Angles: ±1° Fractions: ±1/64 Decimals: ±.005 [.13] Footprint: ±.005 [.13]	DRAWING TITLE <b>TRANSFORMER</b>	PART NO. <b>750312646</b>
6A	5/13	SEE REVISION SHEET FOR REVISION LEVEL	CONVENTION PLACEMENT	This drawing is dual dimensioned. Dimensions in brackets are in millimeters.	eiSos p/n: 750312646	compliant RoHS SPECIFICATION SHEET 1 OF 1