

# DSS1NB32A223Q55#

“#” at the end indicates the package specification code.

● NRND

## DSS1NB32A223Q55#

“#” at the end indicates the package specification code.



DSS1NB32A223Q55B

### Applications

Unsuitable Applications	Please be sure to read and comply with these " <u>Precautions for use</u> ".
Specific Applications	<u>Consumer equipment, Industrial equipment except for transportation &amp; facility &amp; energy equipment, Medical equipment [GHTF A/B/C] except for implant &amp; surgery &amp; auto injector</u>  Please refer to Our Website and specifications, etc. for information about the performance, functions, quality, management, and safety required for the above applications, and use Products after confirming the performance and reliability of the actual Product.
Recommended Applications	Consumer equipment

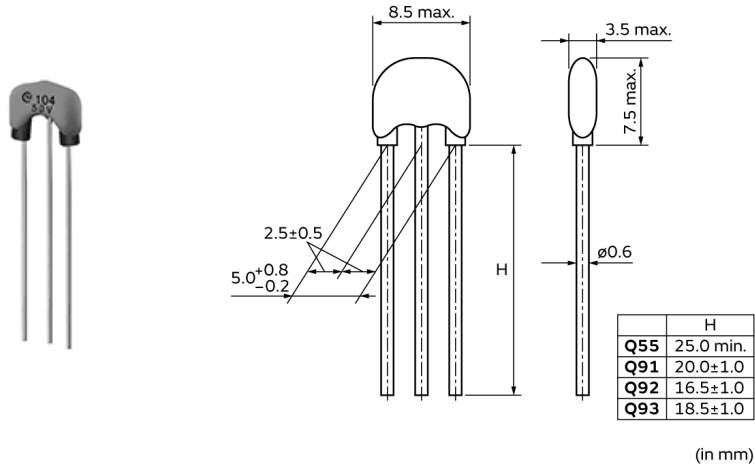
### Attention

1. This datasheet is downloaded from the website of Murata Manufacturing Co., Ltd. Therefore, it's specifications are subject to change or our products in it may be discontinued without advance notice. Please check with our sales representatives or product engineers before ordering.
2. This datasheet has only typical specifications because there is no space for detailed specifications.  
 Therefore, please review our product specifications or consult the approval sheet for product specifications before ordering.

# DSS1NB32A223Q55#

“#” at the end indicates the package specification code.

## Appearance & Shape



Length	8.5mm Max.
Width	3.5mm Max.
Thickness	7.5mm Max.
Shape	Lead

### Attention

1. This datasheet is downloaded from the website of Murata Manufacturing Co., Ltd. Therefore, its specifications are subject to change or our products in it may be discontinued without advance notice. Please check with our sales representatives or product engineers before ordering.
2. This datasheet has only typical specifications because there is no space for detailed specifications. Therefore, please review our product specifications or consult the approval sheet for product specifications before ordering.

# DSS1NB32A223Q55#

“#”at the end indicates the package specification code.

## Specifications

Rated Current	6A
Operating Temperature	-40 ~ 85°C
Number of Circuit	1
Insulation Resistance(min.)	1,000MΩ
Rated Voltage	100Vdc
Withstanding Voltage	250Vdc
Capacitance	22,000pF ±10%
Structure/Shape	Small type beads inside(straight)

### Attention

1. This datasheet is downloaded from the website of Murata Manufacturing Co., Ltd. Therefore, it's specifications are subject to change or our products in it may be discontinued without advance notice. Please check with our sales representatives or product engineers before ordering.
2. This datasheet has only typical specifications because there is no space for detailed specifications.  
Therefore, please review our product specifications or consult the approval sheet for product specifications before ordering.


# DSS1NB32A223Q55#

“#”at the end indicates the package specification code.

## Features

DSS1 series is a compact, high performance lead type 3 terminal capacitor which can be mounted in 2.54mm pitch.  
Its three terminal structure enables nice high frequency performance.  
Wide capacitance variation enables flexible selection for various noise frequencies.  
High speed mounting is available with automatic insertion machine.

## References

Packaging	Specifications 	Standard Packing Quantity
B	Bulk(Bag)	250

Mass(Typ.)	
1 piece	0.45g

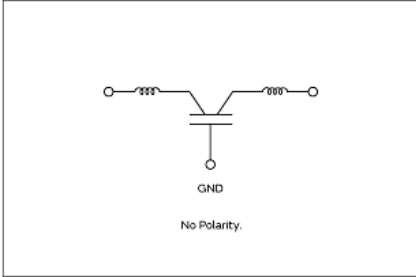
## Attention

1. This datasheet is downloaded from the website of Murata Manufacturing Co., Ltd. Therefore, it's specifications are subject to change or our products in it may be discontinued without advance notice. Please check with our sales representatives or product engineers before ordering.
2. This datasheet has only typical specifications because there is no space for detailed specifications.  
Therefore, please review our product specifications or consult the approval sheet for product specifications before ordering.

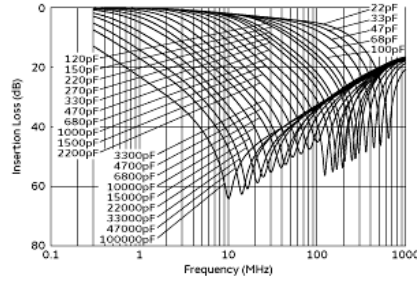
# DSS1NB32A223Q55#

“#” at the end indicates the package specification code.

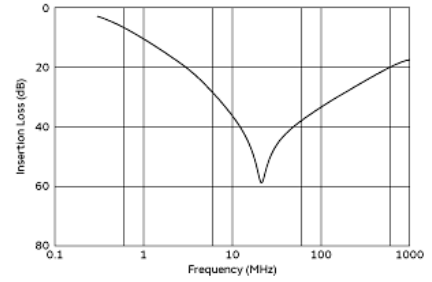
## Product Data



Equivalent Circuit



Insertion Loss Characteristics (Main Items)



Insertion Loss Characteristics

### Attention

1. This datasheet is downloaded from the website of Murata Manufacturing Co., Ltd. Therefore, its specifications are subject to change or our products in it may be discontinued without advance notice. Please check with our sales representatives or product engineers before ordering.
2. This datasheet has only typical specifications because there is no space for detailed specifications. Therefore, please review our product specifications or consult the approval sheet for product specifications before ordering.