

DSS6NZ82A103Q55B

● Discontinued

DSS6NZ82A103Q55B

“#” at the end indicates the package specification code.



DSS6NZ82A103Q55B

Last Time Order Due	End of Production	Alternative Products
31/3/2019	30/9/2019	

Applications

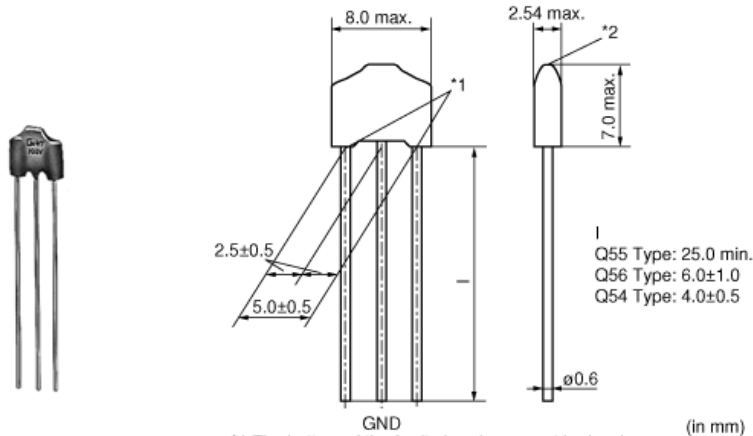
Unsuitable Applications	Please be sure to read and comply with these " <u>Precautions for use</u> ".
Specific Applications	<u>Consumer equipment, Industrial equipment except for transportation & facility & energy equipment, Medical equipment [GHTF A/B/C] except for implant & surgery & auto injector</u> Please refer to Our Website and specifications, etc. for information about the performance, functions, quality, management, and safety required for the above applications, and use Products after confirming the performance and reliability of the actual Product.
Recommended Applications	Consumer equipment

Attention

1. This datasheet is downloaded from the website of Murata Manufacturing Co., Ltd. Therefore, its specifications are subject to change or our products in it may be discontinued without advance notice. Please check with our sales representatives or product engineers before ordering.
2. This datasheet has only typical specifications because there is no space for detailed specifications.
Therefore, please review our product specifications or consult the approval sheet for product specifications before ordering.

DSS6NZ82A103Q55B

Appearance & Shape



*1 The bottom of the ferrite beads may not be level with each other.
 *2 There may be a hole on the top of ferrite beads, which causes no characteristics deterioration.

Length	8mm Max.
Width	2.54mm Max.
Thickness	7mm Max.
Shape	Lead

Attention

- This datasheet is downloaded from the website of Murata Manufacturing Co., Ltd. Therefore, its specifications are subject to change or our products in it may be discontinued without advance notice. Please check with our sales representatives or product engineers before ordering.
- This datasheet has only typical specifications because there is no space for detailed specifications. Therefore, please review our product specifications or consult the approval sheet for product specifications before ordering.

DSS6NZ82A103Q55B

Specifications

Rated Current	6A
Operating Temperature	-25 ~ 85°C
Number of Circuit	1
Insulation Resistance(min.)	5,000MΩ
Rated Voltage	100Vdc
Withstanding Voltage	250Vdc
Capacitance	10,000pF ±30%
Structure/Shape	Small type beads inside(straight)

Attention


1. This datasheet is downloaded from the website of Murata Manufacturing Co., Ltd. Therefore, it's specifications are subject to change or our products in it may be discontinued without advance notice. Please check with our sales representatives or product engineers before ordering.
2. This datasheet has only typical specifications because there is no space for detailed specifications.
Therefore, please review our product specifications or consult the approval sheet for product specifications before ordering.

DSS6NZ82A103Q55B

Features

DS_6 is a compact, high performance lead type EMI suppression filter which can be mounted 2.54mm pitch. Its three terminal structure enables precise high frequency performance.

References

Packaging	Specifications 	Standard Packing Quantity
B	Bulk(Bag)	250

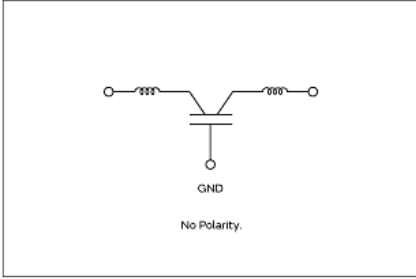
Mass(Typ.)	
1 piece	0.42g

Attention

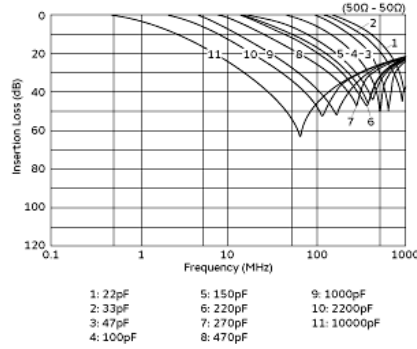
1. This datasheet is downloaded from the website of Murata Manufacturing Co., Ltd. Therefore, it's specifications are subject to change or our products in it may be discontinued without advance notice. Please check with our sales representatives or product engineers before ordering.
2. This datasheet has only typical specifications because there is no space for detailed specifications.
Therefore, please review our product specifications or consult the approval sheet for product specifications before ordering.

DSS6NZ82A103Q55B

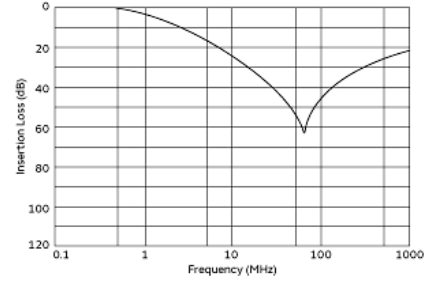
Product Data



Equivalent Circuit



Insertion Loss Characteristics (Main Items)



Insertion Loss Characteristics

Attention

1. This datasheet is downloaded from the website of Murata Manufacturing Co., Ltd. Therefore, its specifications are subject to change or our products in it may be discontinued without advance notice. Please check with our sales representatives or product engineers before ordering.
2. This datasheet has only typical specifications because there is no space for detailed specifications. Therefore, please review our product specifications or consult the approval sheet for product specifications before ordering.