



Type GB
(IEC60384-14 Class X2)

Type GD
(Acquired certifications of UL60950-1)

Type GF
(IEC60384-14 Class X1/Y2)

Safety Standard Certified Chip Multilayer Ceramic Capacitors for Consumer Electronics & Industrial Equipment

IEC60384-14 X1/Y2 Class Certified Product (Basic insulation product)

↓ Specific Applications ↓ Features ↓ Specifications ↓ Lineup

Specific Applications

For the detail of specific applications, please refer to the following links or specification sheets.

- > [Specific Applications Details](#)
- > [Precautions for use](#)

Consumer equipment	Industrial equipment	Automotive infotainment/comfort equipment	Automotive powertrain/safety equipment	Medical equipment [GHTF A/B/C] except for implant equipment	Implanted medical equipment [GHTF D] medical equipment [GHTF E]
✓	✓	✓		✓	

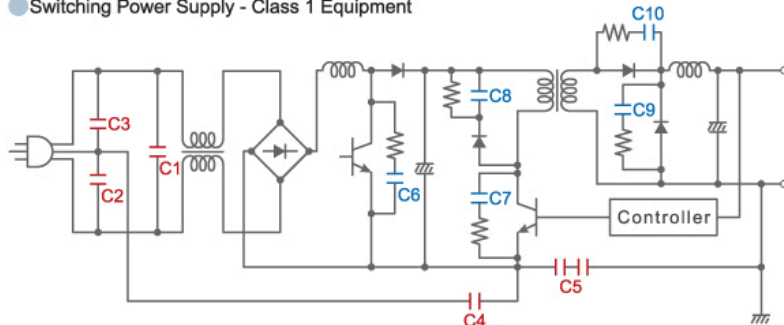
Features

1. IEC60384-14 Class X1/Y2 certified product.

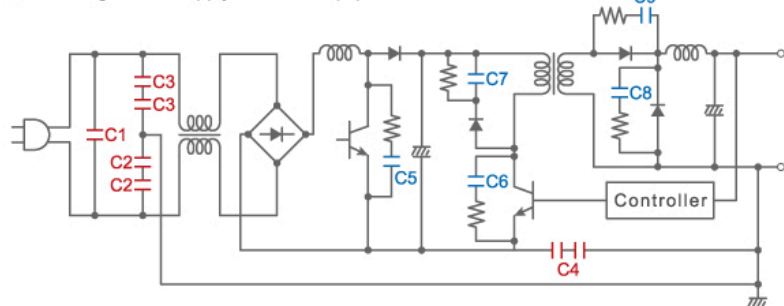
Please download Safety Standard Certification (Type GF: X1/Y2) from [here](#).

2. Can be used as a Class Y2 capacitor.

● Switching Power Supply - Class 1 Equipment

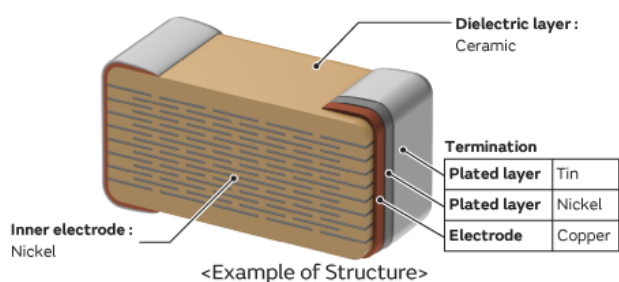


No.	Application	Recommend MLCC Type
C1	X Cap	Type : GB
C2	Y Cap	Type : GF
C3		
C4		
C5	Primary - Secondary Coupling	Type : GF×2



No.	Application	Recommend MLCC Type
C1	X Cap	Type : GB
C2	Y Cap	Type : GF×2
C3		
C4	Primary - Secondary Coupling	

3. Realized large capacitance value and small size while maintaining high withstand voltages by the multilayer structure.



4. This product is only for reflow soldering.

Specifications

Size (mm)	4.5x2mm - 5.7x5mm
Rated Voltage	Y2: 250Vac(r.m.s.) / 1,000Vdc X1: 250Vac(r.m.s.) / 1,000Vdc
Capacitance	10pF - 4,700pF
Main applications	AC-DC power supply

Lineup

[Go to the part number list](#)
[Download CSV](#)

You can see the search result of the item you click on the capacitance chart.

Temperature compensating type

Use narrowed products' rows

Clearing all the conditions

Maximum operating temperature	<input type="checkbox"/> 125°C
LxW	<input type="checkbox"/> 4.5×2.0
Rated Voltage	<input type="checkbox"/> Y2: 250Vac(r.m.s.) / 1,000Vdc <input type="checkbox"/> X1: 250Vac(r.m.s.) / 1,000Vdc

Sign up for Murata Newsletter

Murata Newsletter provides a wide range of information once or twice a month, including the latest product information and events.



SimSurfing

The software 'SimSurfing' simulates the characteristics of Murata products.

Your Opinions and Requests about Our Website