

# LQH32CN100K33#

“#” at the end indicates the package specification code.

● In Production

Wire Wound Ferrite Inductor for Power Lines

## LQH32CN100K33#

“#” at the end indicates the package specification code.



Size Code 3225 (1210) in mm (in inch)

LQH32CN100K33L, LQH32CN100K33K

### Applications

Unsuitable Applications	Please be sure to read and comply with these " <u>Precautions for use</u> ".
Specific Applications	<u>Consumer equipment, Industrial equipment except for transportation &amp; facility &amp; energy equipment, Medical equipment [GHTF A/B/C] except for implant &amp; surgery &amp; auto injector</u>  Please refer to Our Website and specifications, etc. for information about the performance, functions, quality, management, and safety required for the above applications, and use Products after confirming the performance and reliability of the actual Product.
Recommended Applications	Consumer equipment

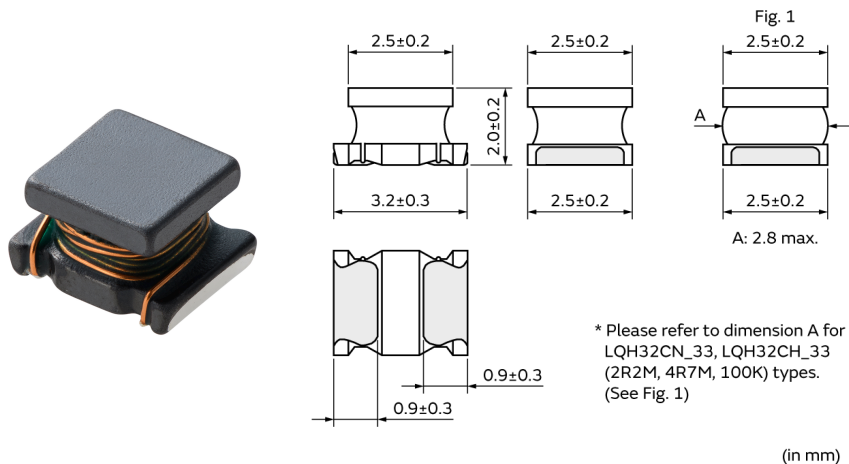
### Attention

1. This datasheet is downloaded from the website of Murata Manufacturing Co., Ltd. Therefore, its specifications are subject to change or our products in it may be discontinued without advance notice. Please check with our sales representatives or product engineers before ordering.
2. This datasheet has only typical specifications because there is no space for detailed specifications. Therefore, please review our product specifications or consult the approval sheet for product specifications before ordering.

# LQH32CN100K33#

“#” at the end indicates the package specification code.

## Appearance & Shape



Length	3.2mm ±0.3mm
Width	2.5mm ±0.2mm
Thickness	2mm ±0.2mm
Size code in mm(inch)	3225/1210

### Attention

1. This datasheet is downloaded from the website of Murata Manufacturing Co., Ltd. Therefore, its specifications are subject to change or our products in it may be discontinued without advance notice. Please check with our sales representatives or product engineers before ordering.
2. This datasheet has only typical specifications because there is no space for detailed specifications. Therefore, please review our product specifications or consult the approval sheet for product specifications before ordering.

# LQH32CN100K33#

“#”at the end indicates the package specification code.

## Specifications

Inductance	10 $\mu$ H $\pm$ 10%
Inductance Test Frequency	1MHz
Rated Current (Temperature Rise) / Max.	450mA
DC Resistance(max.)	0.39 $\Omega$
DC Resistance	0.3 $\Omega$ $\pm$ 30%
Self-resonant frequency	26MHz
Operating Temperature	-40 ~ 85 $^{\circ}$ C
Type of magnetic shield	Non-Shielded
Series	LQH32CN_33
Brand	Murata
Soldering Support	Reflow soldering,Flow soldering

### Attention

1. This datasheet is downloaded from the website of Murata Manufacturing Co., Ltd. Therefore, it's specifications are subject to change or our products in it may be discontinued without advance notice. Please check with our sales representatives or product engineers before ordering.
2. This datasheet has only typical specifications because there is no space for detailed specifications.  
Therefore, please review our product specifications or consult the approval sheet for product specifications before ordering.


# LQH32CN100K33#

“#”at the end indicates the package specification code.

## Notices

When rated current is applied to the products, self-temperature rise shall be limited to 20°C max and inductance will be within ±10% of initial inductance value.

## References

Packaging	Specifications 	Standard Packing Quantity
L	180Embossed Tape	2000
K	330Embossed Tape	7500

Mass(Typ.)	
1 piece	0.06g

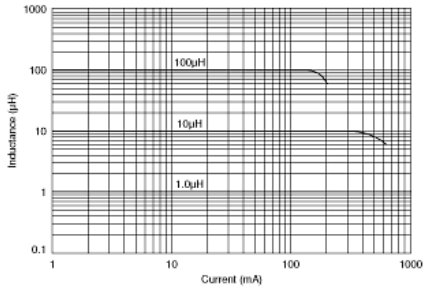
## Attention

1. This datasheet is downloaded from the website of Murata Manufacturing Co., Ltd. Therefore, it's specifications are subject to change or our products in it may be discontinued without advance notice. Please check with our sales representatives or product engineers before ordering.
2. This datasheet has only typical specifications because there is no space for detailed specifications.  
Therefore, please review our product specifications or consult the approval sheet for product specifications before ordering.

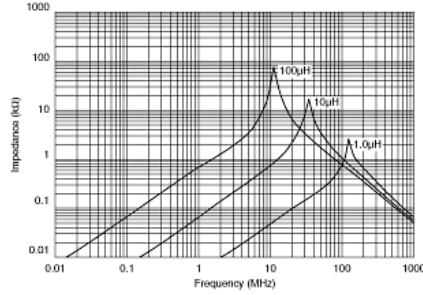
# LQH32CN100K33#

“#” at the end indicates the package specification code.

## Product Data



Impedance - Current Characteristics



Impedance - Frequency Characteristics

### Attention

1. This datasheet is downloaded from the website of Murata Manufacturing Co., Ltd. Therefore, its specifications are subject to change or our products in it may be discontinued without advance notice. Please check with our sales representatives or product engineers before ordering.
2. This datasheet has only typical specifications because there is no space for detailed specifications. Therefore, please review our product specifications or consult the approval sheet for product specifications before ordering.